

Product datasheet

Specifications



discrete input module Modicon Momentum - 16 Input 200..240 V AC

170ADI74050

! Discontinued on: 30 Jun 2023

! Discontinued

Price: 14,331.93 ZAR

Main

Range Of Product	Modicon Momentum automation platform
Product Or Component Type	Discrete inputs base AC
Group Of Channels	2 groups of 8 inputs
Discrete Input Number	16 conforming to IEC 1131-2 Type 2
Discrete Input Voltage	230 V AC
Protective Treatment	TC

Complementary

Discrete Input Logic	Positive
Input Voltage Limits	164...253 V
Network Frequency	47...63 Hz
Voltage Range	163...253 V
Voltage State 0 Guaranteed	≤ 40 V
Voltage State 1 Guaranteed	≥ 164 V
Current State 0 Guaranteed	≤ 2 mA
Current State 1 Guaranteed	≥ 10 mA
Input Resistance	7.5 kOhm 60 Hz 9 kOhm 50 Hz
Response Time	13.3 ms 60 Hz from state 0 to state 1 13.3 ms 60 Hz from state 1 to state 0
Isolation Between Group	1780 V AC
Isolation Between Channels And Bus	1780 V AC

Excluding VAT and subject to change. Please check with your local distributor through "Where to buy"

Terminals Description Plc N°1	(8)IN_DIS#8 (7)IN_DIS#7 (5)IN_DIS#5 (16)IN_DIS#16 (12)IN_DIS#12 (2)IN_DIS#2 (14)IN_DIS#14 (15)IN_DIS#15 (N)PW (11)IN_DIS#11 (4)IN_DIS#4 (9)IN_DIS#9 (L1)PW (3)IN_DIS#3 (6)IN_DIS#6 TB (13)IN_DIS#13 (1)IN_DIS#1 (10)IN_DIS#10
Marking	CE
Local Signalling	16 LEDs for channel status
Current Consumption	<= 125 mA at 230 V AC
Depth	47.5 mm
Height	141.5 mm
Width	125 mm
Net Weight	0.284 kg

Environment

Product Certifications	CSA UL
Resistance To Electrostatic Discharge	4 kV contact conforming to IEC 801-2 8 kV on air conforming to IEC 801-2
Resistance To Electromagnetic Fields	10 V/m 80...1000 MHz conforming to IEC 801-3
Ambient Air Temperature For Operation	0...60 °C
Ambient Air Temperature For Storage	-40...85 °C
Relative Humidity	95 % without condensation
Operating Altitude	<= 5000 m

Packing Units

Unit Type Of Package 1	PCE
Number Of Units In Package 1	1
Package 1 Height	9.0 cm
Package 1 Width	18.0 cm
Package 1 Length	26.0 cm
Package 1 Weight	465.0 g
Unit Type Of Package 2	P06
Number Of Units In Package 2	80
Package 2 Height	105.0 cm
Package 2 Width	80.0 cm
Package 2 Length	80.0 cm
Package 2 Weight	45.7 kg

Contractual warranty

Warranty

18 months

Sustainability

Green Premium™ label is Schneider Electric's commitment to delivering products with best-in-class environmental performance. Green Premium promises compliance with the latest regulations, transparency on environmental impacts, as well as circular and low-CO₂ products.

Guide to assessing product sustainability is a white paper that clarifies global eco-label standards and how to interpret environmental declarations.

[Learn more about Green Premium >](#)

[Guide to assess a product's sustainability >](#)



Transparency RoHS/REACH

Well-being performance

Mercury Free

RoHS Exemption Information Yes

Certifications & Standards

Reach Regulation [REACH Declaration](#)

Eu RoHS Directive Pro-active compliance (Product out of EU RoHS legal scope)

China RoHS Regulation [China RoHS declaration](#)

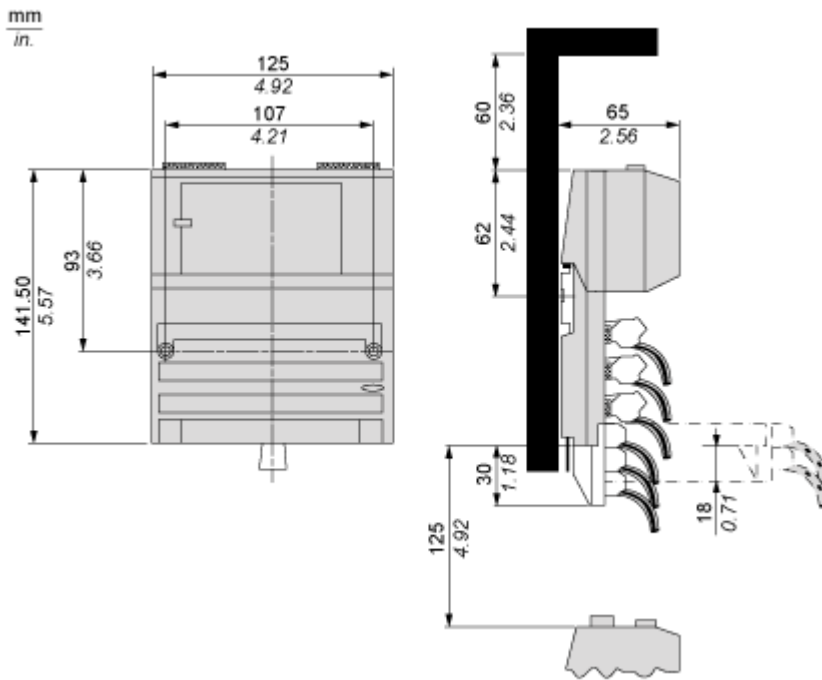
Environmental Disclosure [Product Environmental Profile](#)

Weee The product must be disposed on European Union markets following specific waste collection and never end up in rubbish bins

Circularity Profile [End of Life Information](#)

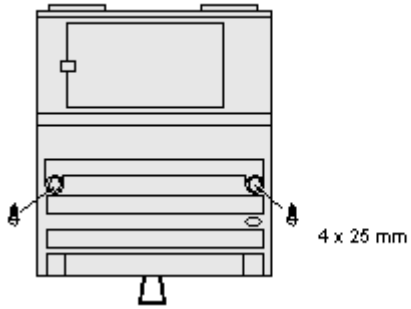
Dimensions Drawings

Standard Adapter on a Discrete VAC Base



Mounting and Clearance

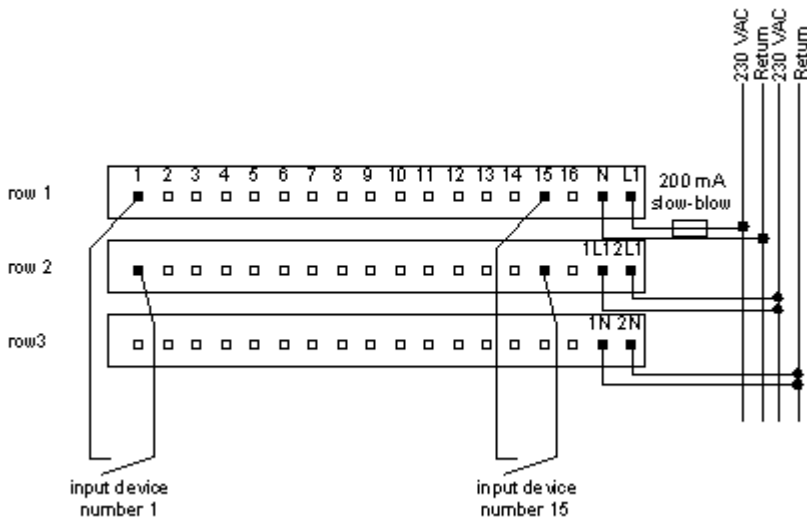
Mounting on a Wall



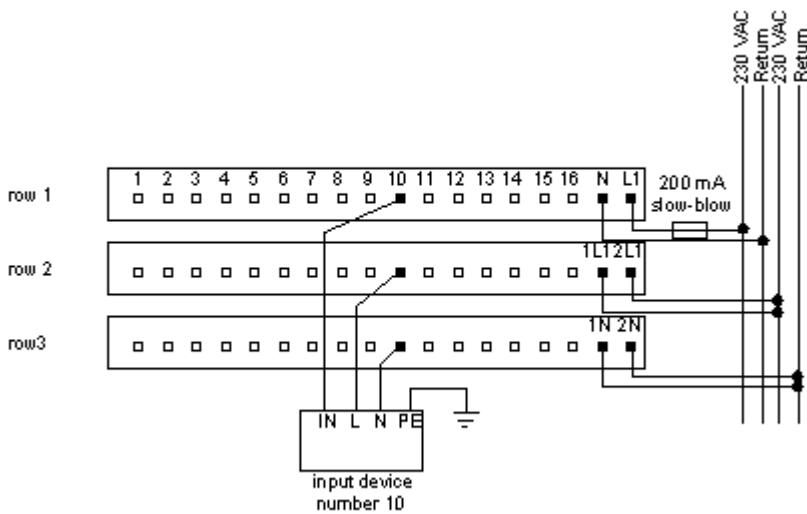
Connections and Schema

External Wiring Diagrams

2-Wire Devices



3-Wire Device



Internal Pin Connections

