

Product datasheet

Specifications



discrete output module Modicon Momentum - 32 O solid state

170ADO35000

Price: 12,033.18 ZAR

Main

Range Of Product	Modicon Momentum automation platform
Product Or Component Type	Discrete output base DC
Group Of Channels	2 groups of 16 outputs
Discrete Output Number	32
Discrete Output Type	Solid state switch
Discrete Output Voltage	24 V DC
Current Per Channel	0.5 A
Short-Circuit Protection	Outputs electronically protected
Protective Treatment	TC

Complementary

[Ue] Rated Operational Voltage	24 V DC
Discrete Output Current	16 A per module 8 A per group
Maximum Leakage Current	1 mA 24 V DC
Surge Current	5 A during 1 ms
Maximum Voltage Drop	<0.5 V 0.5 A at state 1
Output Overload Protection	Outputs electronically protected
Response Time	0.1 ms from state 0 to state 1 0.1 ms from state 1 to state 0
Isolation Between Channels And Bus	500 V AC
Power Dissipation	6 W typical 7.5 W maximum
Marking	CE
Local Signalling	32 LEDs for channel status
Current Consumption	250 mA at 24 V DC

Excluding VAT and subject to change. Please check with your local distributor through "Where to buy"

Terminals Description Plc N°1	(15)OUT_DIS#15 TB (2)OUT_DIS#2 (8)OUT_DIS#8 (L+)PW_POS (16)OUT_DIS#16 (7)OUT_DIS#7 (M-)PW_NEG (12)OUT_DIS#12 (9)OUT_DIS#9 (11)OUT_DIS#11 (14)OUT_DIS#14 (1)OUT_DIS#1 (5)OUT_DIS#5 (10)OUT_DIS#10 (13)OUT_DIS#13 (3)OUT_DIS#3 (4)OUT_DIS#4 (6)OUT_DIS#6
--------------------------------------	--

Terminals Description Plc N°2	(6)OUT_DIS#22 (4)OUT_DIS#20 (7)OUT_DIS#23 (2L+)PW_POS (3)OUT_DIS#19 TB_1 (8)OUT_DIS#24 (10)OUT_DIS#26 (12)OUT_DIS#28 (2)OUT_DIS#18 (13)OUT_DIS#29 (16)IN_DIS#32 (11)OUT_DIS#27 (14)OUT_DIS#30 (15)OUT_DIS#31 (5)OUT_DIS#21 (9)OUT_DIS#25 (1)OUT_DIS#17 (1L+)PW_POS
--------------------------------------	--

Depth	47.5 mm
Height	141.5 mm
Width	125 mm
Net Weight	0.21 kg

Environment

Product Certifications	CSA UL
Resistance To Electrostatic Discharge	4 kV contact conforming to IEC 801-2 8 kV on air conforming to IEC 801-2
Resistance To Electromagnetic Fields	10 V/m 80...1000 MHz conforming to IEC 801-3
Ambient Air Temperature For Operation	0...60 °C
Ambient Air Temperature For Storage	-40...85 °C
Relative Humidity	95 % without condensation
Operating Altitude	<= 5000 m

Packing Units

Unit Type Of Package 1	PCE
Number Of Units In Package 1	1
Package 1 Height	5.5 cm
Package 1 Width	18.0 cm

Package 1 Length	26.0 cm
Package 1 Weight	403.0 g
Unit Type Of Package 2	S03
Number Of Units In Package 2	10
Package 2 Height	30 cm
Package 2 Width	30 cm
Package 2 Length	40 cm
Package 2 Weight	4.545 kg
Unit Type Of Package 3	P06
Number Of Units In Package 3	80
Package 3 Height	75.0 cm
Package 3 Width	40.0 cm
Package 3 Length	80.0 cm
Package 3 Weight	47 kg

Contractual warranty

Warranty	18 months
----------	-----------

Sustainability

Green Premium™ label is Schneider Electric's commitment to delivering products with best-in-class environmental performance. Green Premium promises compliance with the latest regulations, transparency on environmental impacts, as well as circular and low-CO₂ products.

Guide to assessing product sustainability is a white paper that clarifies global eco-label standards and how to interpret environmental declarations.

[Learn more about Green Premium >](#)

[Guide to assess a product's sustainability >](#)



Transparency RoHS/REACH

Well-being performance

Mercury Free

RoHS Exemption Information Yes

Certifications & Standards

Reach Regulation [REACH Declaration](#)

Eu RoHS Directive Pro-active compliance (Product out of EU RoHS legal scope)

China RoHS Regulation [China RoHS declaration](#)

Environmental Disclosure [Product Environmental Profile](#)

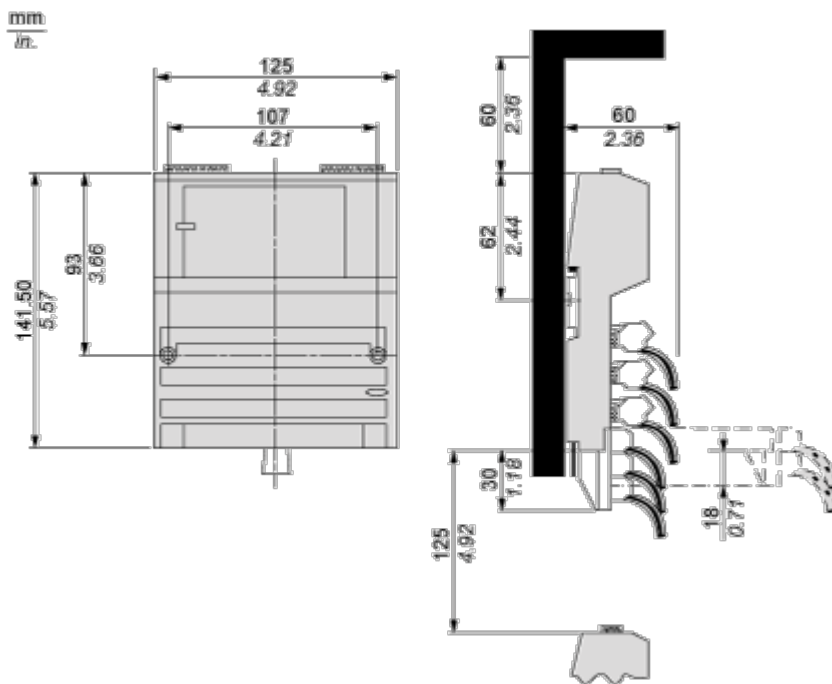
Weee The product must be disposed on European Union markets following specific waste collection and never end up in rubbish bins

Circularity Profile [End of Life Information](#)

Dimensions Drawings

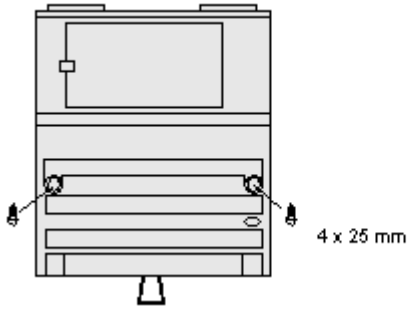
Standard Adapter on a Typical Base

Dimensions



Mounting and Clearance

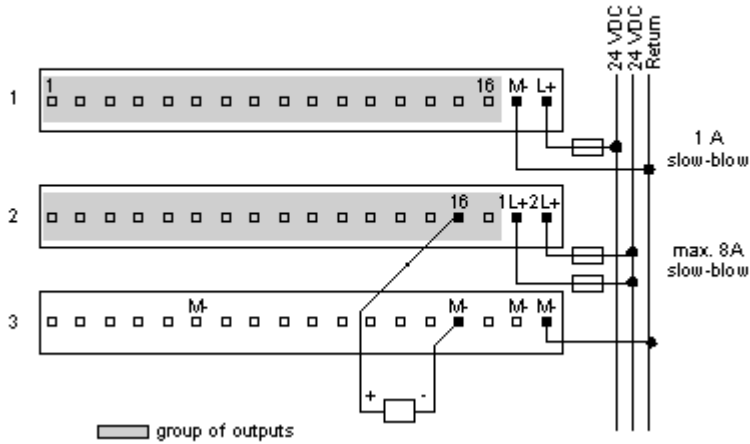
Mounting on a Wall



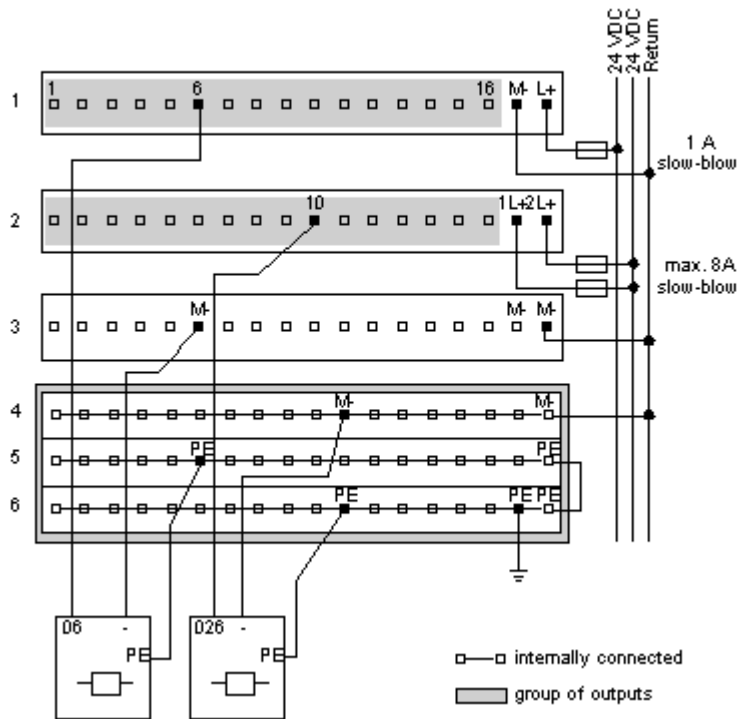
Connections and Schema

External Wiring Diagrams

2-Wire Actuator



3-Wire Actuators



Internal Pin Connections

Rows 1 through 3 show the internal connections between terminals on the I/O base. Rows 4 through 6 show the internal connections on the optional busbar.

