

# Product datasheet

Specifications



## PUSH BUTTON 600VAC 10A 30MM T-K

9001KR1UH5

**Price: 837.81 ZAR**

### Main

Range Of Product	Harmony 9001K
Product Or Component Type	Push-button
Device Short Name	9001K
Type Of Operator	spring return
Operator Profile	7 colours choice flush, unmarked
Operator Additional Information	Metal guard

### Complementary

Bezel Material	Metal
Mounting Diamete	30 mm
Shape Of Signaling Unit Head	Octagonal
Contacts Type And Composition	1 NO
Connections - Terminals	Screw clamp terminals 1 x 0.22...2 x 1.5 mm <sup>2</sup> conforming to IEC 60947-1
Tightening Torque	0.8 N.m conforming to IEC 60947-1
Shape Of Screw Head	Cross slotted
Mechanical Durability	5000000 cycles
Operating Position	Any position
[Ie] Rated Operational Current	3 A at 240 V, AC-15, A600-Q600 conforming to NEMA 0.55 A at 125 V, DC-13, A600-Q600 conforming to NEMA
[Ui] Rated Insulation Voltage	250 V (pollution degree 3) conforming to IEC 60947-1
[Uimp] Rated Impulse Withstand Voltage	2.5 kV conforming to IEC 60947-1
Contacts Material	Silver alloy contacts
Contact Operation	Standard
Positive Opening	Without
Short-Circuit Protection	10 A cartridge fuse conforming to IEC 60947-5-1
[Ith] Conventional Free Air Thermal Current	10 A
[Icm] Rated Short-Circuit Making Capacity	12 kA at 600 V AC-15, 7200 VA 15 kA at 480 V AC-15, 7200 VA 30 kA at 240 V AC-15, 7200 VA 60 kA at 120 V AC-15, 7200 VA 0.1 kA at 600 V DC-13 0.27 kA at 250 V DC-13 0.55 kA at 125 V DC-13

Excluding VAT and subject to change. Please check with your local distributor through "Where to buy"

<b>Rated Breaking Capacity</b>	3 kA at 240 V AC-15, 720 VA 6 kA at 120 V AC-15, 720 VA 1.2 kA at 600 V AC-15, 720 VA 1.5 kA at 480 V AC-15, 720 VA 0.1 kA at 600 V DC-13 0.27 kA at 250 V DC-13 0.55 kA at 125 V DC-13
<b>Net Weight</b>	0.121 kg
<b>Device Presentation</b>	Complete product
<b>Cap/Operator Or Lens Colour</b>	7 colours choice
<b>Operator Profile</b>	Flush
<b>Type Of Operator</b>	Spring return
<b>Size</b>	30 mm

## Environment

<b>Standards</b>	UL 508 JIS C 4520 CSA C22.2 No 14 EN/IEC 60947-5-1 EN/IEC 60947-5-4 JIS C 852 EN/IEC 60947-1
<b>Product Certifications</b>	NEMA UL 508
<b>Protective Treatment</b>	TC
<b>Ambient Air Temperature For Storage</b>	-40...70 °C
<b>Ambient Air Temperature For Operation</b>	-25...70 °C
<b>Vibration Resistance</b>	7 gn (f= 2...500 Hz) conforming to IEC 60068-2-6
<b>Shock Resistance</b>	50 gn conforming to IEC 60068-2-27
<b>Electrical Shock Protection Class</b>	Class II conforming to IEC 61140
<b>Ip Degree Of Protection</b>	IP66 conforming to IEC 60529
<b>Nema Degree Of Protection</b>	NEMA 1 NEMA 12 NEMA 13 NEMA 2 NEMA 3 NEMA 3R NEMA 4

## Packing Units

<b>Unit Type Of Package 1</b>	PCE
<b>Number Of Units In Package 1</b>	1
<b>Package 1 Height</b>	5.800 cm
<b>Package 1 Width</b>	5.400 cm
<b>Package 1 Length</b>	9.500 cm
<b>Package 1 Weight</b>	127.000 g
<b>Unit Type Of Package 2</b>	S01
<b>Number Of Units In Package 2</b>	24
<b>Package 2 Height</b>	15.000 cm
<b>Package 2 Width</b>	15.000 cm

---

Package 2 Length	40.000 cm
------------------	-----------

---

Package 2 Weight	3.127 kg
------------------	----------

## Contractual warranty

---

Warranty	18 months
----------	-----------

## Sustainability

**Green Premium™ label** is Schneider Electric's commitment to delivering products with best-in-class environmental performance. Green Premium promises compliance with the latest regulations, transparency on environmental impacts, as well as circular and low-CO<sub>2</sub> products.

**Guide to assessing product sustainability** is a white paper that clarifies global eco-label standards and how to interpret environmental declarations.

[Learn more about Green Premium >](#)

[Guide to assess a product's sustainability >](#)

## Well-being performance

 Mercury Free

 Rohs Exemption Information [Yes](#)

**Reach Regulation** [REACH Declaration](#)

**Eu Rohs Directive** Pro-active compliance (Product out of EU RoHS legal scope)

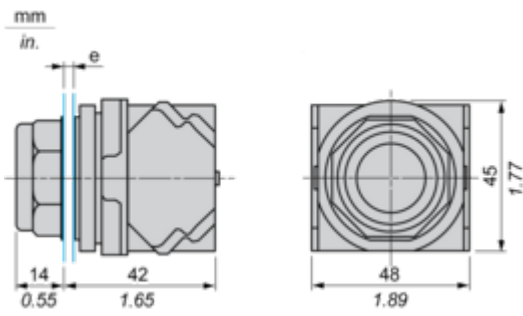
**China Rohs Regulation** [China RoHS declaration](#)

**Weee** The product must be disposed on European Union markets following specific waste collection and never end up in rubbish bins

Dimensions Drawings

Dimensions

---



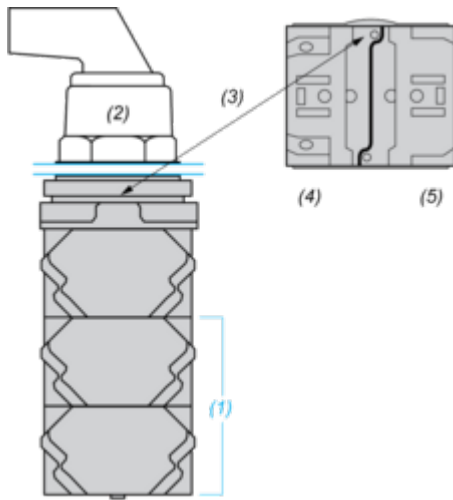
e panel thickness: 1 to 6 mm / 0.04 to 0.24 in.

Mounting and Clearance

Contact Block Mounting Position

---

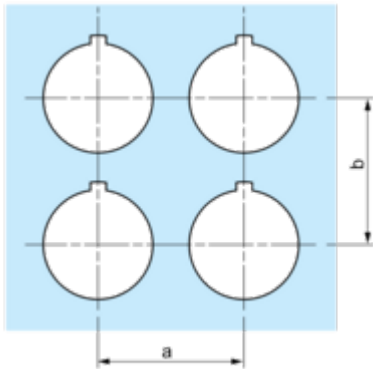
Top and Rear views



- (1) It is possible to mount up to 3 levels of contacts blocks (maximum of 6 contacts blocks)
- (2) Operator
- (3) Locating notch
- (4) Side 1
- (5) Side 2

Panel Cut-Out

Clearance



Legend plate	a min.		b min.	
	mm	in.	mm	in.
9001KN2••	57.2	2.25	44.5	1.75
9001KN3••	57.2	2.25	50.8	2.00

Individual Cut-outs Details

2 alternatives

