

Product datasheet

Specifications



connection sub-base ABE7 - for distribution of 4 analog output channels

ABE7CPA21

Price: 2,640.61 ZAR

Main

Range Of Product	Modicon ABE7
Product Or Component Type	Connection sub-base for counter and analogue channels
Number Of Channels	4
Connections - Terminals	Screw type terminals, 1 x 0.09...1 x 1.5 mm ² (AWG 28...AWG 16) flexible with cable end Screw type terminals, 1 x 0.14...1 x 2.5 mm ² (AWG 26...AWG 12) solid Screw type terminals, 1 x 0.14...1 x 2.5 mm ² (AWG 26...AWG 14) flexible without cable end Screw type terminals, 2 x 0.09...2 x 0.75 mm ² (AWG 28...AWG 20) flexible with cable end Screw type terminals, 2 x 0.2...2 x 2.5 mm ² (AWG 24...AWG 14) solid

Complementary

Function Of Module	Analogue output current, compatible with Premium Analogue output voltage, compatible with Premium
Product Compatibility	Premium TSXAEY420 Premium TSXASY410
Connection To Plc	SUB-D 25
Fixing Mode	By clips (35 mm symmetrical DIN rail) By screws (solid plate with fixing kit)
[Ui] Rated Insulation Voltage	2000 V terminals/mounting rails
Installation Category	II conforming to IEC 60664-1
Tightening Torque	0.6 N.m with flat Ø 3.5 mm screwdriver
Net Weight	0.18 kg

Environment

Product Certifications	DNV GL CSA UL EAC
Ip Degree Of Protection	IP20 conforming to IEC 60529
Protective Treatment	TC
Resistance To Incandescent Wire	750 °C, extinction time <30 s conforming to IEC 60695-2-11
Shock Resistance	15 gn for 11 ms conforming to IEC 60068-2-27
Vibration Resistance	2 gn (f= 10...150 Hz) conforming to IEC 60068-2-6
Resistance To Electrostatic Discharge	4 kV (contact) level 3 conforming to IEC 61000-4-2 8 kV (air) level 3 conforming to IEC 61000-4-2
Resistance To Radiated Fields	10 V/m (26000000...1000000000 Hz) conforming to IEC 61000-4-3 level 3

Excluding VAT and subject to change. Please check with your local distributor through "Where to buy"

Resistance To Fast Transients	2 kV level 3 conforming to IEC 61000-4-4
Ambient Air Temperature For Operation	0...60 °C conforming to IEC 61131-2
Ambient Air Temperature For Storage	-40...80 °C conforming to IEC 61131-2
Pollution Degree	2 conforming to IEC 60664-1

Packing Units

Unit Type Of Package 1	PCE
Number Of Units In Package 1	1
Package 1 Height	7.0 cm
Package 1 Width	8.3 cm
Package 1 Length	9.6 cm
Package 1 Weight	218.0 g
Unit Type Of Package 2	S03
Number Of Units In Package 2	36
Package 2 Height	30.0 cm
Package 2 Width	30.0 cm
Package 2 Length	40.0 cm
Package 2 Weight	8.35 kg

Contractual warranty

Warranty	18 months
-----------------	-----------

Sustainability

Green Premium™ label is Schneider Electric's commitment to delivering products with best-in-class environmental performance. Green Premium promises compliance with the latest regulations, transparency on environmental impacts, as well as circular and low-CO₂ products.

Guide to assessing product sustainability is a white paper that clarifies global eco-label standards and how to interpret environmental declarations.

[Learn more about Green Premium >](#)

[Guide to assess a product's sustainability >](#)



Transparency RoHS/REACH

Well-being performance

Mercury Free

RoHS Exemption Information Yes

Certifications & Standards

Reach Regulation [REACH Declaration](#)

Eu RoHS Directive Pro-active compliance (Product out of EU RoHS legal scope)

China RoHS Regulation [China RoHS declaration](#)

Environmental Disclosure [Product Environmental Profile](#)

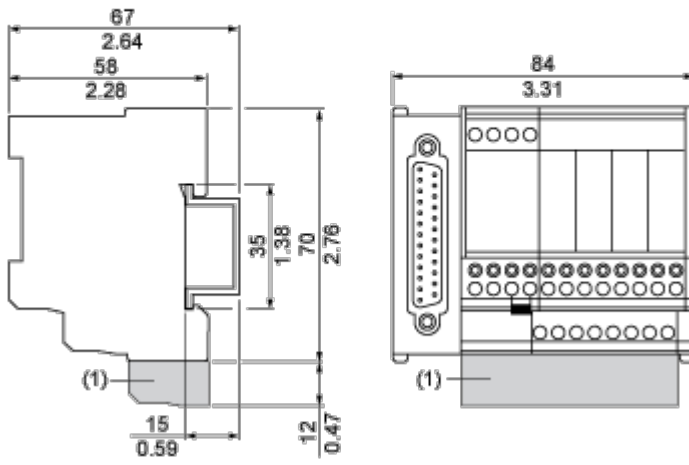
Weee The product must be disposed on European Union markets following specific waste collection and never end up in rubbish bins

Circularity Profile [End of Life Information](#)

Dimensions Drawings

Dimensions

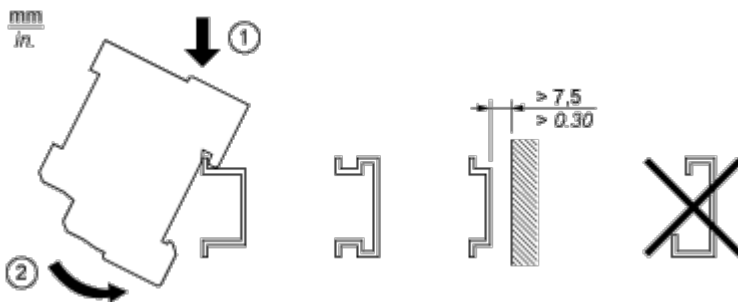
mm
in.



(1) ABE7BV20

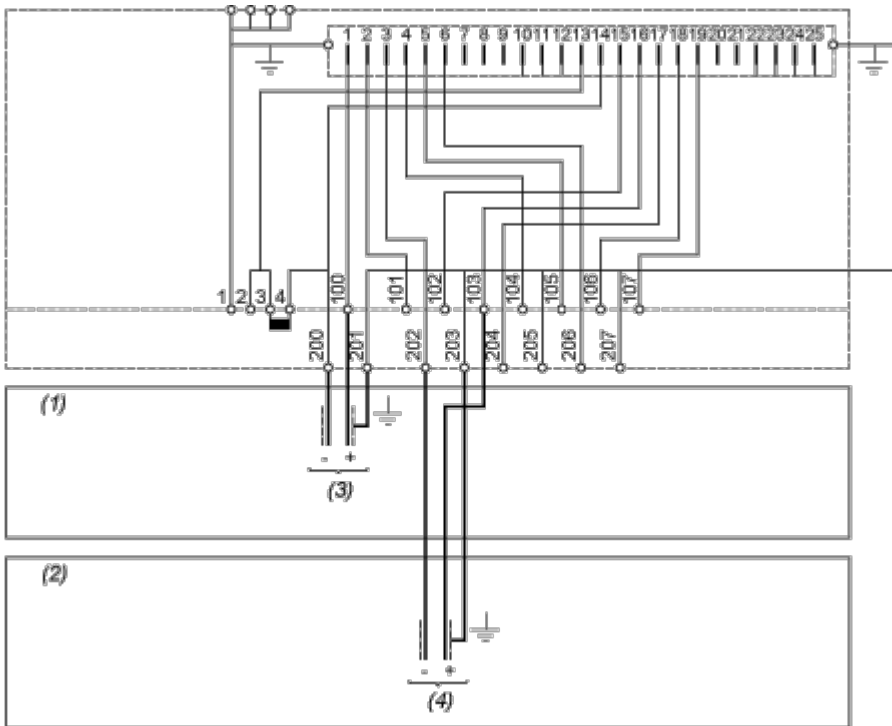
Mounting and Clearance

Mounting



Connections and Schema

Wiring Recommendations



- (1) 4 input voltage - 4 output voltage
- (2) 4 input current - 4 output current
- (3) Channel via 1
- (4) Channel via 2