

# Product datasheet

Specifications



## passive connection sub-base ABE7 - 16 inputs - fuses - Led - isolator

ABE7H16S43

**Price: 6,621.99 ZAR**

### Main

Range Of Product	Modicon ABE7
Product Or Component Type	Passive discrete I/O sub-base
Sub-Base Type	Input sub-base
[Us] Rated Supply Voltage	19...30 V conforming to IEC 61131-2
Number Of Channels	16
Number Of Terminal Per Channel	2
Connections - Terminals	Screw type terminals, 1 x 0.09...1 x 1.5 mm <sup>2</sup> (AWG 28...AWG 16) flexible with cable end Screw type terminals, 1 x 0.14...1 x 2.5 mm <sup>2</sup> (AWG 26...AWG 12) solid Screw type terminals, 1 x 0.14...1 x 2.5 mm <sup>2</sup> (AWG 26...AWG 14) flexible without cable end Screw type terminals, 2 x 0.09...2 x 0.75 mm <sup>2</sup> (AWG 28...AWG 20) flexible with cable end Screw type terminals, 2 x 0.2...2 x 2.5 mm <sup>2</sup> (AWG 24...AWG 14) solid
Channel Additional Information	1 switch disconnecter per channel

### Complementary

Supply Voltage Type	DC
Number Of Horizontal Rows	1
Status Led	1 LED per channel (green) channel status 1 LED per channel (red) blown fuse indication 1 LED (green) power ON
Polarity Distribution	24 V
Short-Circuit Protection	1 A internal fuse, 5 x 20 mm, fast blow (PLC end) 0.125 A fuse per channel, 5 x 20 mm, fast blow (output circuit)
Connector Type	HE-10
Pin Number	20 pins
Fixing Mode	By clips (35 mm symmetrical DIN rail) By screws (solid plate with fixing kit)
Maximum Supply Current	1.8 A
Current Per Channel	0.125 A
Maximum Current Per Output Common	1.8 A
Voltage Drop On Power Supply Fuse	0.3 V
Maximum Voltage Drop Per Channel	0.1 V
[Ui] Rated Insulation Voltage	2000 V
Installation Category	II conforming to IEC 60664-1

Excluding VAT and subject to change. Please check with your local distributor through "Where to buy"

<b>Tightening Torque</b>	0.6 N.m with flat Ø 3.5 mm screwdriver
<b>Width</b>	206 mm
<b>Height</b>	77 mm
<b>Depth</b>	58 mm
<b>Net Weight</b>	0.64 kg

## Environment

<b>Product Certifications</b>	DNV CSA UL GL EAC
<b>Ip Degree Of Protection</b>	IP2X conforming to IEC 60529
<b>Resistance To Incandescent Wire</b>	750 °C conforming to IEC 60695-2-11
<b>Shock Resistance</b>	15 gn for 11 ms conforming to IEC 60068-2-27
<b>Vibration Resistance</b>	2 gn (f= 10...150 Hz) conforming to IEC 60068-2-6
<b>Resistance To Electrostatic Discharge</b>	4 kV (contact) level 3 conforming to IEC 61000-4-2 8 kV (air) level 3 conforming to IEC 61000-4-2
<b>Resistance To Radiated Fields</b>	10 V/m (26000000...1000000000 Hz) conforming to IEC 61000-4-3 level 3
<b>Resistance To Fast Transients</b>	2 kV level 3 conforming to IEC 61000-4-4
<b>Ambient Air Temperature For Operation</b>	-5...60 °C conforming to IEC 61131-2
<b>Ambient Air Temperature For Storage</b>	-40...80 °C conforming to IEC 61131-2
<b>Pollution Degree</b>	2 conforming to IEC 60664-1

## Packing Units

<b>Unit Type Of Package 1</b>	PCE
<b>Number Of Units In Package 1</b>	1
<b>Package 1 Height</b>	7.0 cm
<b>Package 1 Width</b>	8.2 cm
<b>Package 1 Length</b>	21.0 cm
<b>Package 1 Weight</b>	624.0 g
<b>Unit Type Of Package 2</b>	S03
<b>Number Of Units In Package 2</b>	16
<b>Package 2 Height</b>	30.0 cm
<b>Package 2 Width</b>	30.0 cm
<b>Package 2 Length</b>	40.0 cm
<b>Package 2 Weight</b>	10.51 kg

## Contractual warranty

<b>Warranty</b>	18 months
-----------------	-----------

## Sustainability

**Green Premium™ label** is Schneider Electric's commitment to delivering products with best-in-class environmental performance. Green Premium promises compliance with the latest regulations, transparency on environmental impacts, as well as circular and low-CO<sub>2</sub> products.

**Guide to assessing product sustainability** is a white paper that clarifies global eco-label standards and how to interpret environmental declarations.

[Learn more about Green Premium >](#)

[Guide to assess a product's sustainability >](#)



Transparency RoHS/REACH

## Well-being performance

Mercury Free

RoHS Exemption Information Yes

## Certifications & Standards

Reach Regulation [REACH Declaration](#)

Eu RoHS Directive Pro-active compliance (Product out of EU RoHS legal scope)

China RoHS Regulation [China RoHS declaration](#)

Environmental Disclosure [Product Environmental Profile](#)

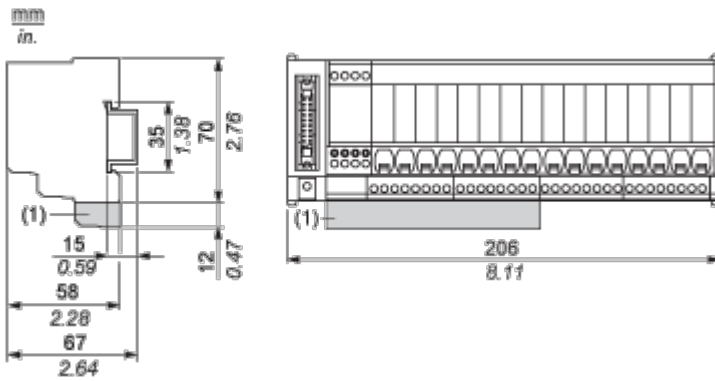
Weee The product must be disposed on European Union markets following specific waste collection and never end up in rubbish bins

Circularity Profile [End of Life Information](#)

Dimensions Drawings

Dimensions

---

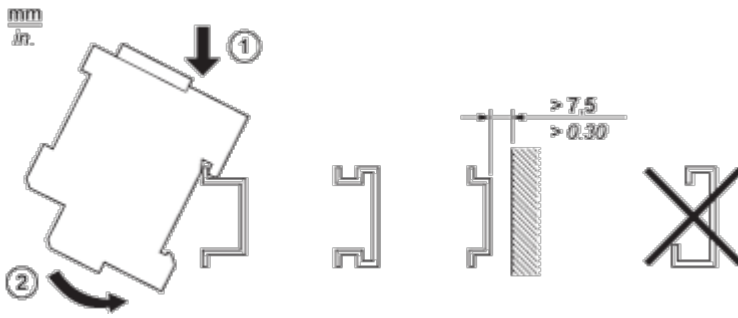


(1) ABE7BV10 / BV20, ABE7BV10E / BV20E

Mounting and Clearance

Mounting

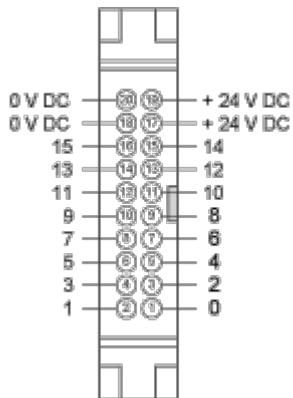
---



Connections and Schema

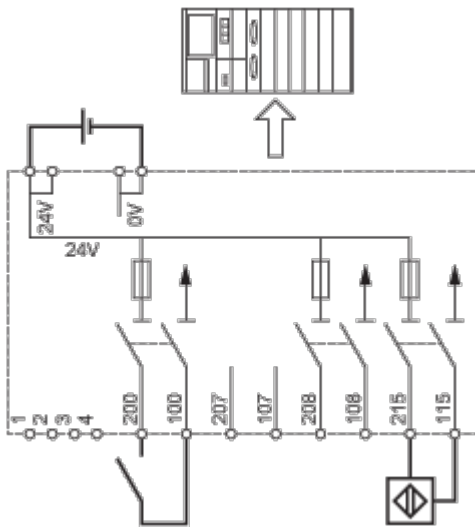
HE10 16 Channels

---



Wiring Diagram

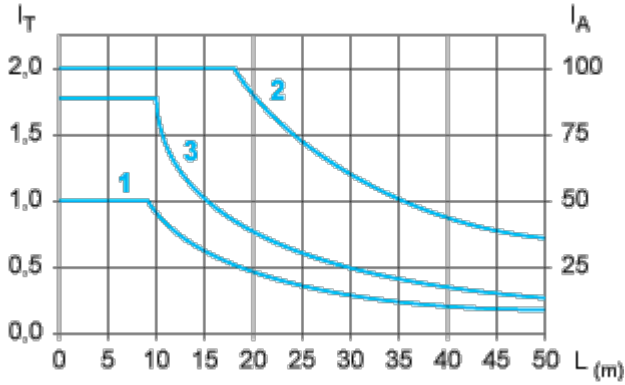
---



Performance Curves

Curves for Determining Cable Type and Length According to the Current

16-channel Sub-base



L Cable length

I<sub>T</sub> Total current per sub base (A)

I<sub>A</sub> Average current per channel (mA)

- (1) TSXCDP••2 and ABFH20H••0 cables with c.s.a. 0.08 mm<sup>2</sup> (AWG 28).
- (2) TSXCDP••3 cables with c.s.a. 0.34 mm<sup>2</sup> (AWG 22).
- (3) Cables with c.s.a. 0.13 mm<sup>2</sup> (AWG 26).

The curves are given for a voltage drop of 1 V in the cable. For n volts tolerance, multiply the length determined from the graph by n.