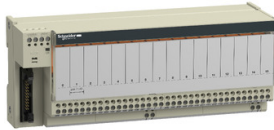


# Product datasheet

Specifications



## Sub-base with plug-in electromechanical relay ABE7 - 16 channels - relay 10 mm

ABE7R16T210

**Price: 8,407.64 ZAR**

### Main

Range Of Product	Modicon ABE7
Product Or Component Type	Sub-base with plug-in electromechanical relay
Sub-Base Type	Output sub-base
[Us] Rated Supply Voltage	19...30 V conforming to IEC 61131-2
Number Of Channels	16

### Complementary

Supply Voltage Type	DC
Product Compatibility	ABR7S21
Contacts Type And Composition	1 NO
Status Led	1 LED per channel (green) channel status 1 LED (green) power ON
Polarity Distribution	Volt-free
Short-Circuit Protection	1 A internal fuse, 5 x 20 mm, fast blow (PLC end)
Fixing Mode	By clips (35 mm symmetrical DIN rail) By screws (solid plate with fixing kit)
Maximum Supply Current	1 A
Voltage Drop On Power Supply Fuse	0.3 V
[U <sub>i</sub> ] Rated Insulation Voltage	2000 V terminals/mounting rails 300 V coil circuit/contact circuits conforming to IEC 60947-1
[U <sub>imp</sub> ] Rated Impulse Withstand Voltage	2.5 kV
Installation Category	II conforming to IEC 60664-1
Tightening Torque	0.6 N.m with flat Ø 3.5 mm screwdriver
Net Weight	0.735 kg

### Environment

Product Certifications	GL CSA UL DNV EAC
Ip Degree Of Protection	IP2X conforming to IEC 60529
Resistance To Incandescent Wire	750 °C conforming to IEC 60695-2-11
Shock Resistance	15 gn for 11 ms conforming to IEC 60068-2-27
Vibration Resistance	2 gn (f= 10...150 Hz) conforming to IEC 60068-2-6

Excluding VAT and subject to change. Please check with your local distributor through "Where to buy"

<b>Resistance To Electrostatic Discharge</b>	4 kV (contact) level 3 conforming to IEC 61000-4-2 8 kV (air) level 3 conforming to IEC 61000-4-2
<b>Resistance To Radiated Fields</b>	10 V/m (26000000...1000000000 Hz) conforming to IEC 61000-4-3 level 3
<b>Resistance To Fast Transients</b>	2 kV level 3 conforming to IEC 61000-4-4
<b>Ambient Air Temperature For Operation</b>	-5...60 °C conforming to IEC 61131-2
<b>Ambient Air Temperature For Storage</b>	-40...80 °C conforming to IEC 61131-2
<b>Pollution Degree</b>	2 conforming to IEC 60664-1

## Packing Units

<b>Unit Type Of Package 1</b>	PCE
<b>Number Of Units In Package 1</b>	1
<b>Package 1 Height</b>	7.600 cm
<b>Package 1 Width</b>	9.600 cm
<b>Package 1 Length</b>	21.800 cm
<b>Package 1 Weight</b>	702.000 g
<b>Unit Type Of Package 2</b>	S03
<b>Number Of Units In Package 2</b>	12
<b>Package 2 Height</b>	30.000 cm
<b>Package 2 Width</b>	30.000 cm
<b>Package 2 Length</b>	40.000 cm
<b>Package 2 Weight</b>	8.926 kg

## Contractual warranty

<b>Warranty</b>	18 months
-----------------	-----------

## Sustainability

**Green Premium™ label** is Schneider Electric's commitment to delivering products with best-in-class environmental performance. Green Premium promises compliance with the latest regulations, transparency on environmental impacts, as well as circular and low-CO<sub>2</sub> products.

**Guide to assessing product sustainability** is a white paper that clarifies global eco-label standards and how to interpret environmental declarations.

[Learn more about Green Premium >](#)

[Guide to assess a product's sustainability >](#)



Transparency RoHS/REACH

## Well-being performance

Mercury Free

RoHS Exemption Information Yes

## Certifications & Standards

Reach Regulation [REACH Declaration](#)

Eu RoHS Directive Pro-active compliance (Product out of EU RoHS legal scope)

China RoHS Regulation [China RoHS declaration](#)

Environmental Disclosure [Product Environmental Profile](#)

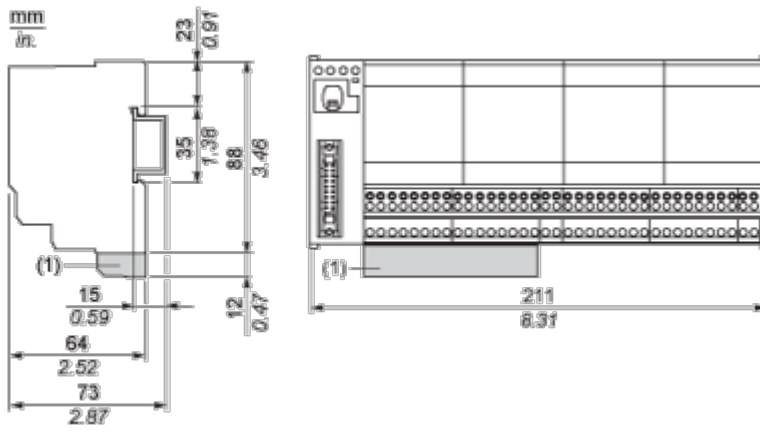
Weee The product must be disposed on European Union markets following specific waste collection and never end up in rubbish bins

Circularity Profile [End of Life Information](#)

Dimensions Drawings

Dimensions

---

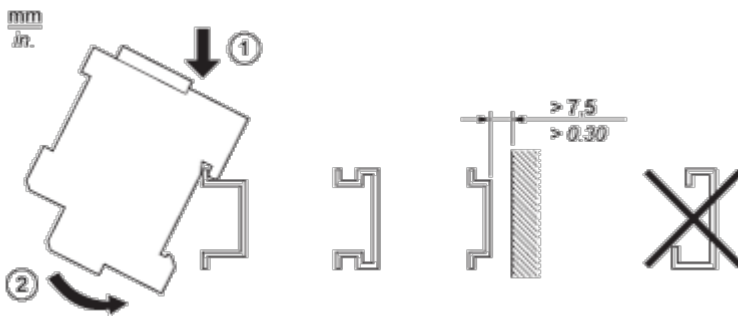


(1) ABE7BV10 / BV20, ABE7BV10E / BV20E

Mounting and Clearance

Mounting

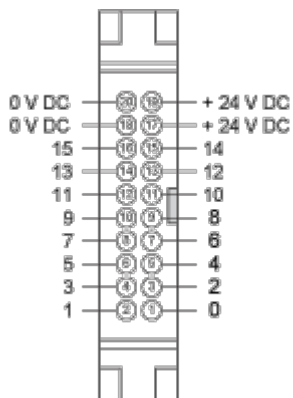
---



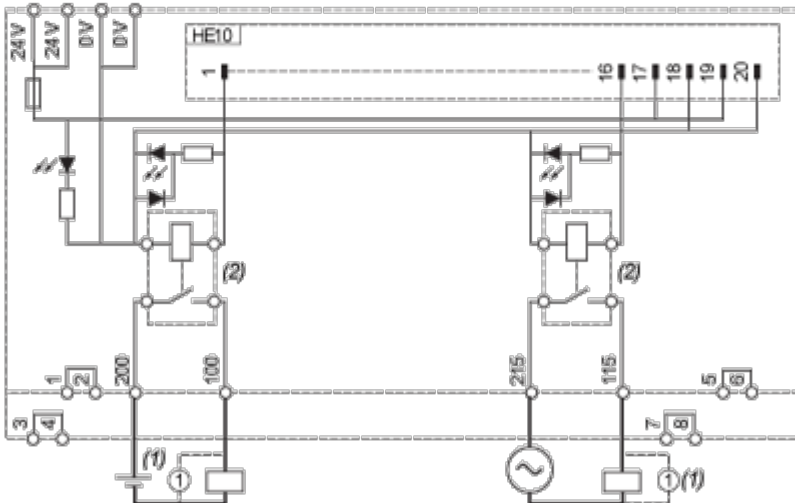
Connections and Schema

HE10 16 Channels

---



Wiring Diagram

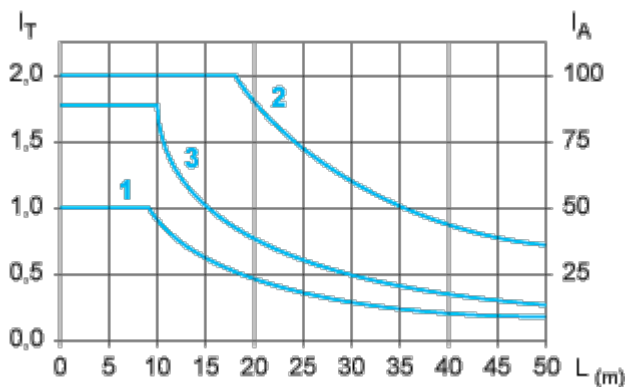


- (1) Inductive load
- (2) ABR7S21 (1 "F" "SPST") Ith = 5 A (supplied)

Performance Curves

Curves for Determining Cable Type and Length According to the Current

16-channel Sub-base



L Cable length

I<sub>T</sub> Total current per sub base (A)

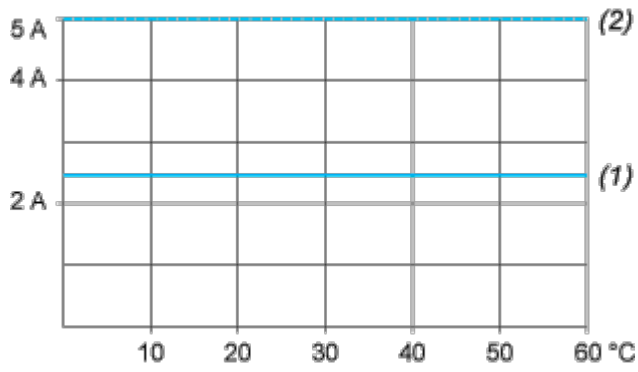
I<sub>A</sub> Average current per channel (mA)

- (1) TSXCDP••2 and ABFH20H••0 cables with c.s.a. 0.08 mm<sup>2</sup> (AWG 28).
- (2) TSXCDP••3 cables with c.s.a. 0.34 mm<sup>2</sup> (AWG 22).
- (3) Cables with c.s.a. 0.13 mm<sup>2</sup> (AWG 26).

The curves are given for a voltage drop of 1 V in the cable. For n volts tolerance, multiply the length determined from the graph by n.

Temperature Derating Curves

---

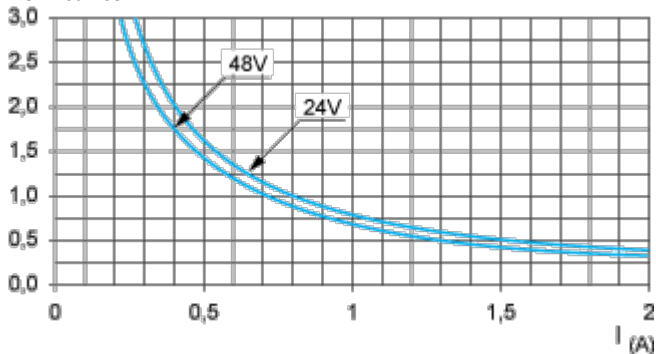


- (1) 100 % of channels used
- (2) 50 % of channels used

**Electrical Durability (in Millions of Operating Cycles) Conforming to IEC 60947-5-1**

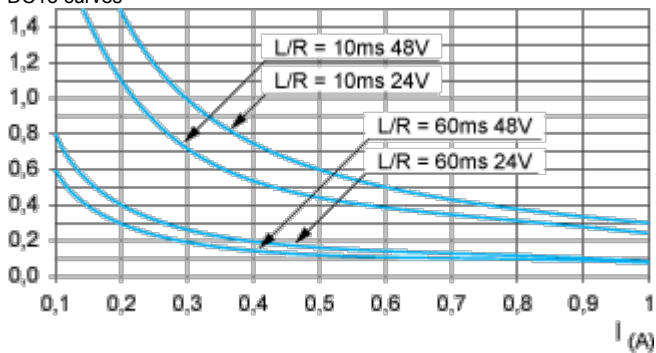
**DC Loads**

DC12 curves



DC12 control of resistive loads and of solid state loads isolated by optocoupler,  $L/R \leq 1$  ms.

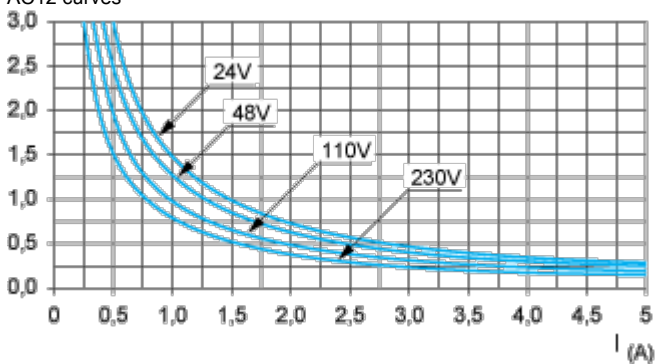
DC13 curves



DC13 switching electromagnets,  $L/R \leq 2 \times (U_e \times I_e)$  in ms,  $U_e$ : rated operational voltage,  $I_e$ : rated operational current (with a protective diode on the load, DC12 curves must be used with a coefficient of 0.9 applied to the number in millions of operating cycles)

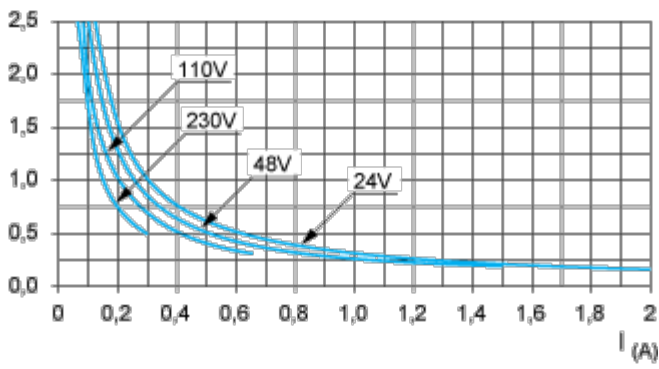
**AC Loads**

AC12 curves



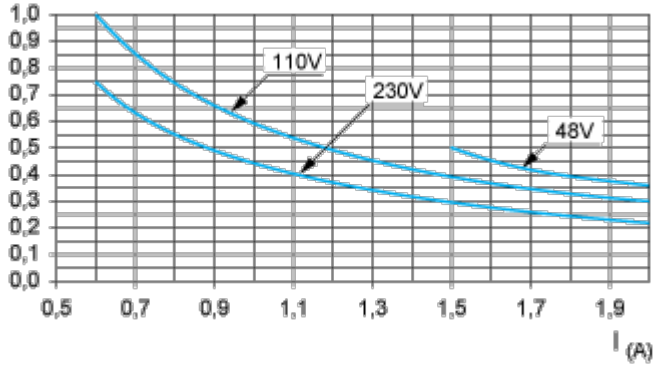
AC12 control of resistive loads and of solid state loads isolated by optocoupler,  $\cos \phi \geq 0.9$ .

AC14 curves



AC14 control of small electromagnetic loads  $\leq 72$  VA, make:  $\cos \phi = 0.3$ , break:  $\cos \phi = 0.3$ .

AC15 curves



AC15 control of electromagnetic loads  $> 72$  VA, make:  $\cos \phi = 0.7$ , break:  $\cos \phi = 0.4$ .