

# Product datasheet

Specifications



regulated SMPS. single phase.  
100..240 V input. 24 V output. 100 W

ABL1REM24042

⚠ Discontinued on: 11 Nov 2021

⚠ End-of-service on: 31 Mar 2022

⚠ Discontinued

**Price: 2,437.61 ZAR**

## Main

Range Of Product	Phaseo Dedicated
Product Or Component Type	Power supply
Power Supply Type	Regulated switch mode
Rated Power In W	100 W
Main Input Voltage	100...240 V AC single phase 120...370 V DC
Output Voltage	24 V DC
Power Supply Output Current	4.2 A
Operating Position	Any position
Vibration Resistance	2 gn (f= 9...150 Hz) conforming to EN/IEC 61131-2 3.5 mm (f= 5...9 Hz) conforming to EN/IEC 61131-2
Name Of Test	Conducted interference conforming to EN 61000-4-8 level 4 Electrostatic discharges conforming to EN/IEC 61000-4-2 level 3 Induced electromagnetic field conforming to EN/IEC 61000-4-6 level 3 Radiated electromagnetic field conforming to EN/IEC 61000-4-3 level 3 Rapid transient conforming to IEC 61000-4-4 level 3 Conducted/radiated emissions conforming to EN 55022 class B Conducted/radiated emissions conforming to EN/IEC 55011 Emission conforming to EN/IEC 61000-6-3 Primary outage conforming to IEC 61000-4-11 Surge conforming to EN/IEC 61000-4-5

## Complementary

Input Voltage Limits	85...264 V
Network Frequency	47...63 Hz
Inrush Current	50 A at 115 V AC 100 A at 230 V AC
Cos Phi	0.65
Efficiency	80 %
Power Dissipation In W	25 W
Current Consumption	0.7 A at 240 V 1.4 A at 100 V
Input Protection Type	Integrated fuse (not interchangeable)
Output Voltage Limits	21.6...26.4 V
Line And Load Regulation	+/- 3 %

Excluding VAT and subject to change. Please check with your local distributor through "Where to buy"

<b>Holding Time</b>	>= 10 ms at 100 V >= 40 ms at 240 V
<b>Output Protection Type</b>	Against overload, protection technology: 1.1...1.5 x I <sub>n</sub> Against overvoltage, protection technology: tripping if U > 1.25 x U <sub>n</sub> Against short-circuits, protection technology: automatic reset Thermal
<b>Connections - Terminals</b>	For ground connection: screw type terminals, connection capacity: 1 x 4 mm <sup>2</sup> AWG 12 For input connection: screw type terminals, connection capacity: 2 x 4 mm <sup>2</sup> AWG 12 For output connection: screw type terminals, connection capacity: 4 x 4 mm <sup>2</sup> AWG 12
<b>Marking</b>	CE
<b>Mounting Support</b>	Panel Reversible mounting bracket
<b>Operating Altitude</b>	2000 m
<b>Output Coupling</b>	Series Parallel
<b>Overvoltage Category</b>	II
<b>Meantime Between Failure [Mtbf]</b>	100000 h at 40 °C
<b>Status Led</b>	1 LED (green) output voltage
<b>Net Weight</b>	0.64 kg

## Environment

<b>Product Certifications</b>	UL 508 cCSAus TUV 60950-1 CSA 22-2 No 60950-1 RCM KC EAC
<b>Environmental Characteristic</b>	EMC conforming to EN 50081-1 EMC conforming to EN 50082-2 EMC conforming to EN 61000-6-3 EMC conforming to EN/IEC 61000-6-2 Safety conforming to EN/IEC 60950-1 Safety conforming to SELV
<b>Ip Degree Of Protection</b>	IP20 conforming to EN/IEC 60950
<b>Ambient Air Temperature For Operation</b>	0...45 °C (without derating) 45...60 °C (with derating factor)
<b>Ambient Air Temperature For Storage</b>	-25...85 °C
<b>Relative Humidity</b>	20...90 %
<b>Overvoltage Category</b>	Class I conforming to VDE 0106-1
<b>Pollution Degree</b>	2
<b>Dielectric Strength</b>	1500 V between input and ground 3000 V between input and output 500 V between output and ground

## Packing Units

<b>Unit Type Of Package 1</b>	PCE
<b>Number Of Units In Package 1</b>	1

## Contractual warranty

<b>Warranty</b>	18 months
-----------------	-----------

## Sustainability

**Green Premium™ label** is Schneider Electric's commitment to delivering products with best-in-class environmental performance. Green Premium promises compliance with the latest regulations, transparency on environmental impacts, as well as circular and low-CO<sub>2</sub> products.

**Guide to assessing product sustainability** is a white paper that clarifies global eco-label standards and how to interpret environmental declarations.

[Learn more about Green Premium >](#)

[Guide to assess a product's sustainability >](#)



Transparency RoHS/REACH

## Well-being performance

Mercury Free

Rohs Exemption Information Yes

Pvc Free

## Certifications & Standards

Reach Regulation [REACH Declaration](#)

Eu Rohs Directive Pro-active compliance (Product out of EU RoHS legal scope)

China Rohs Regulation [China RoHS declaration](#)

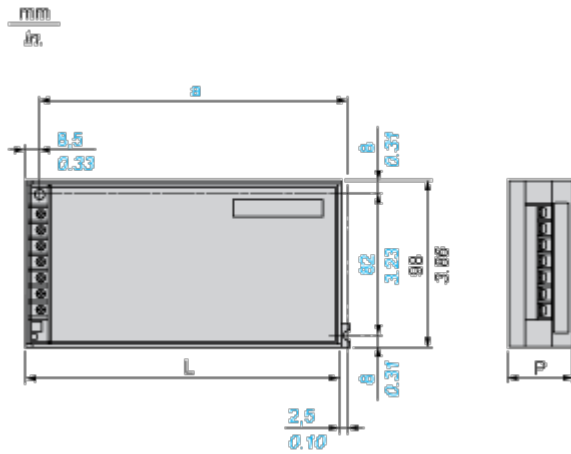
Environmental Disclosure [Product Environmental Profile](#)

Circularity Profile [End of Life Information](#)

Dimensions Drawings

Dimensions

---



Dimensions in mm

a	L	P
194	200	38

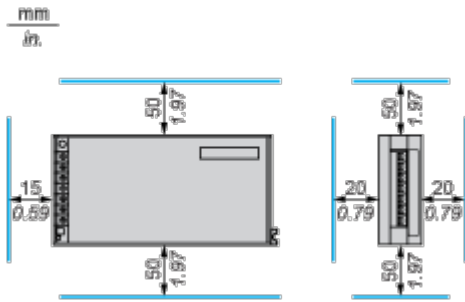
Dimensions in in.

a	L	P
7.64	7.87	1.50

Mounting and Clearance

Clearance

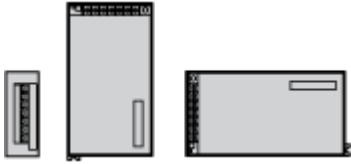
---



Mounting Way

---

Mounting on Vertical Plane

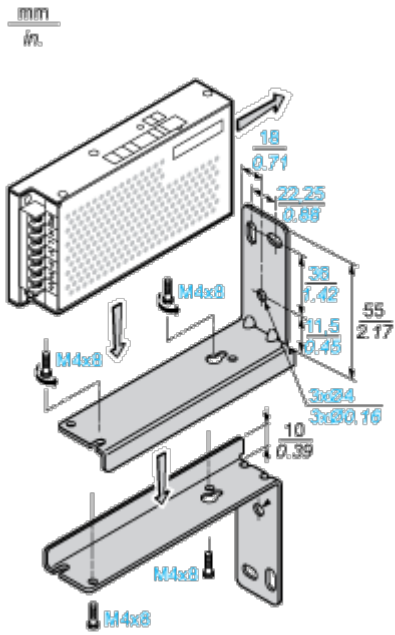


Mounting on Horizontal Plane



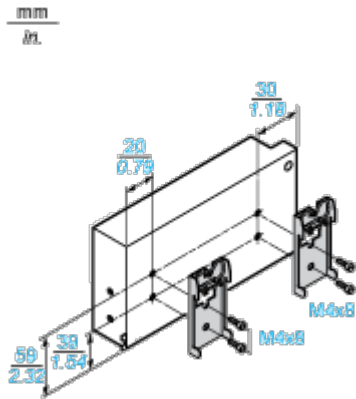


Mounting on the Back on ABL 1A01 Reversible Bracket by Three 4 mm Diameter Screws



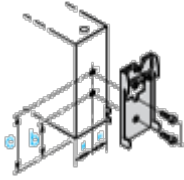
Mounting on ABL 1A02 Clip-on Mounting on 35 mm Rail

---



Mounting by the Back

---



Dimensions in mm

b	c
38	58

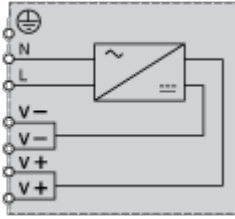
Dimensions in in.

b	c
1.50	2.28

Connections and Schema

Internal Wiring Diagram

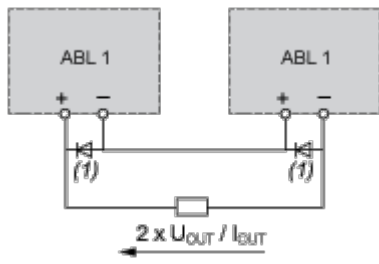
---



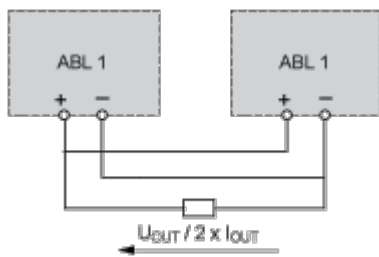
Series or Parallel Connection

---

Series Connection



Parallel Connection



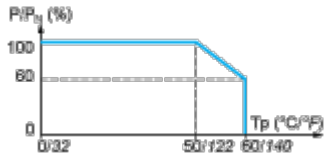
(1) 8 A/100 V Shottky diode

Performance Curves

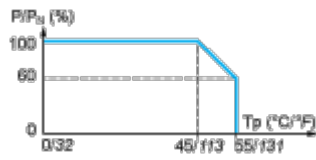
Derating Curves

---

Mounting on Vertical Plane



Mounting on Horizontal Plane



Load Limits Curve

---

