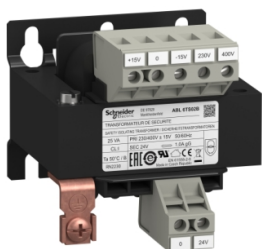


# Product datasheet

Specifications



## voltage transformer - 230..400 V - 1 x 24 V - 25 VA

ABL6TS02B

**Price: 2,181.23 ZAR**

## Main

Range Of Product	Modicon Transformer Optimized
Product Or Component Type	Safety and isolation transformer
Rated Power In Va	25 VA
Input Voltage	230 V AC single phase, terminal(s): N-L1 400 V AC phase to phase, terminal(s): L1-L2
Output Voltage	24 V AC
Secondary Winding	Single
Protective Cover	Without
Ambient Air Temperature For Operation	-20...50 °C

## Complementary

Input Voltage Limits	360...440 V 207...253 V
Network Frequency Limits	47...63 Hz
Input Voltage Tolerance	+/- 15 V
Efficiency	79 %
Power Dissipation In W	6.6 W
Output Sustained Overvoltage	15 % (no load, hot state)
Maximum Voltage Drop At Rated Load	0.3 %
No Load Losses	3 W
Short-Circuit Voltage	0,1352
Output Protection Type	Against overload, protection technology: with additional protection fuses or circuit-breakers in Selection of Protection Against overvoltage, protection technology: with additional protection fuses or circuit-breakers in Selection of Protection Against short-circuits, protection technology: with additional protection fuses or circuit-breakers in Selection of Protection
Connections - Terminals	For input connection: screw type terminals, connection capacity: 5 x 4 mm <sup>2</sup> AWG 11 For input ground connection: screw type terminals, connection capacity: 1 x 4 mm <sup>2</sup> AWG 11 For output connection: screw type terminals, connection capacity: 2 x 4 mm <sup>2</sup> AWG 11
Marking	CE
Fixing Mode	By 4 screws diameter: 4.8 mm on vertical panel, operating position: horizontal By 4 screws diameter: 4.8 mm on vertical panel, operating position: vertical By clips (with mounting plate) on 35 mm symmetrical DIN rail By 4 screws diameter: 4.8 mm on horizontal panel with derating to 90 %
Operating Altitude	3000 m

Excluding VAT and subject to change. Please check with your local distributor through "Where to buy"

Electrical Insulation Class	Class B
Width	66.0 mm
Height	65.0 mm
Depth	81.0 mm
Net Weight	0.72 kg

## Environment

Product Certifications	EAC UR DNV-GL
Standards	UL 506
Ip Degree Of Protection	IP20
Environmental Characteristic	EMC conforming to EN 62041 Safety conforming to EN 61558-1 Safety conforming to EN 61558-2-6
Protective Treatment	TC
Ambient Air Temperature For Storage	-40...80 °C
Overvoltage Category	Class I conforming to VDE 0106-1
Dielectric Strength	2000 V between winding and ground 4000 V between primary and secondary

## Packing Units

Unit Type Of Package 1	PCE
Number Of Units In Package 1	1
Package 1 Height	18.0 cm
Package 1 Width	14.1 cm
Package 1 Length	12.5 cm
Package 1 Weight	945.0 g
Unit Type Of Package 2	S03
Number Of Units In Package 2	5
Package 2 Height	30.0 cm
Package 2 Width	30.0 cm
Package 2 Length	40.0 cm
Package 2 Weight	5.213 kg
Unit Type Of Package 3	P06
Number Of Units In Package 3	60
Package 3 Height	73.5 cm
Package 3 Width	80.0 cm
Package 3 Length	60.0 cm
Package 3 Weight	69.76 kg

## Contractual warranty

Warranty	18 months
----------	-----------

## Sustainability

**Green Premium™ label** is Schneider Electric's commitment to delivering products with best-in-class environmental performance. Green Premium promises compliance with the latest regulations, transparency on environmental impacts, as well as circular and low-CO<sub>2</sub> products.

**Guide to assessing product sustainability** is a white paper that clarifies global eco-label standards and how to interpret environmental declarations.

[Learn more about Green Premium >](#)

[Guide to assess a product's sustainability >](#)



Transparency RoHS/REACH

## Well-being performance

Mercury Free

Rohs Exemption Information Yes

Pvc Free

## Certifications & Standards

Reach Regulation [REACH Declaration](#)

Eu Rohs Directive Pro-active compliance (Product out of EU RoHS legal scope)

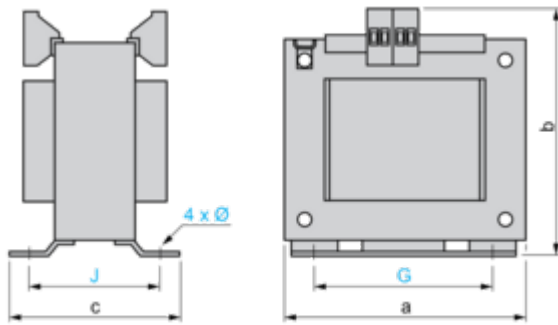
China Rohs Regulation [China RoHS declaration](#)

Environmental Disclosure [Product Environmental Profile](#)

Circularity Profile No need of specific recycling operations  
[Circularity Profile](#)

Dimensions Drawings

Dimensions



Dimensions in mm

a	b	c	G	J	Ø
66	81	65	50	42	4.8

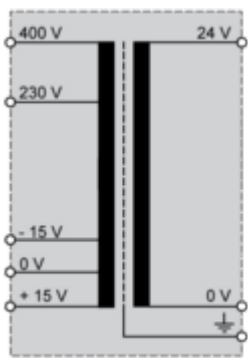
Dimensions in in.

a	b	c	G	J	Ø
2.60	3.19	2.56	1.97	1.65	0.19

## Connections and Schema

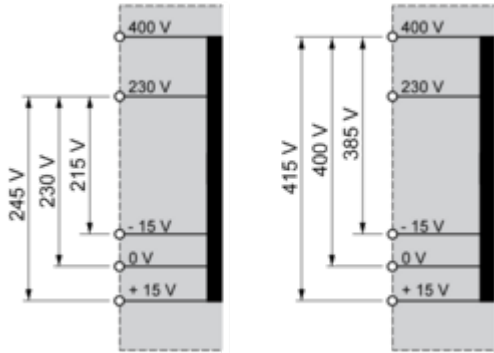
### Internal Scheme

---



Primary Voltage Wiring

---



Secondary Voltage Wiring

---

