

Product datasheet

Specifications



Flat screen. Harmony Modular iPC. Display PC Wide 15" multi touch for HMIBM

HMIDM7521

Price: 26,982.96 ZAR

Main

Range Of Product	Harmony iPC
Product Or Component Type	Flat screen
Terminal Type	Touchscreen display
Device Mounting	Flush
Product Compatibility	Modular Box PC

Complementary

View Angle Horizontal X Vertical	150 x 140°
Contrast Ratio	500:1
Pixel Resolution	1366 x 768
Touchscreen Resolution	4096 x 4096
Display Resolution	1366 x 768 pixels WHD FWXGA
Display Size	15.6 inch
Aspect Ratio	16:9
Display Type	Colour TFT LCD LED
Display Colour	16777216 colors
Luminance	300 cd/m ²
Backlight Lifespan	50000 hours at 25 °C
Touch Panel	Multi-touch projected capacitive technology (PCT)
Function Available	Operate with water on screen
[Us] Rated Supply Voltage	24 V DC power supply 100...240 V AC power supply
Supply Voltage Limits	18...36 V
Inrush Current	8.9 A
Power Consumption In W	54.5 W (Box PC HMIBMP) 49.5 W (Box PC HMIBMU)
Local Signalling	Status LED
Depth	Enclosure : 28 mm 7 mm
Height	269 mm
Width	419.7 mm
Net Weight	4.3 kg

Excluding VAT and subject to change. Please check with your local distributor through "Where to buy"

Environment

Standards	Class I division 2 CSA C22.2 No 213 CSA C22.2 No 142 UL 6110-2-201 Class I division 2 ANSI/ISA 12-12-01
Product Certifications	IEC-Ex C-Tick EAC Marine GL Bridge ATEX CE
Ip Degree Of Protection	IP66
Nema Degree Of Protection	NEMA 4X
Pollution Degree	2
Ambient Air Temperature For Storage	-30...70 °C
Relative Humidity	10...95 % non-condensing
Ambient Air Temperature For Operation	0...55 °C
Operating Altitude	2000 m
Vibration Resistance	1 gn (f = 5...500 Hz) HDD 2 gn (f = 5...500 Hz) SSD 2 gn (f = 5...500 Hz) Cfast card

Packing Units

Unit Type Of Package 1	PCE
Number Of Units In Package 1	1
Package 1 Height	2.8 cm
Package 1 Width	26.9 cm
Package 1 Length	42.0 cm
Package 1 Weight	4.3 kg

Sustainability

Green Premium™ label is Schneider Electric's commitment to delivering products with best-in-class environmental performance. Green Premium promises compliance with the latest regulations, transparency on environmental impacts, as well as circular and low-CO₂ products.

Guide to assessing product sustainability is a white paper that clarifies global eco-label standards and how to interpret environmental declarations.

[Learn more about Green Premium >](#)

[Guide to assess a product's sustainability >](#)



Transparency RoHS/REACH

Well-being performance

Reach Free Of Svhc

Mercury Free

Rohs Exemption Information [Yes](#)

Certifications & Standards

Reach Regulation

[REACH Declaration](#)

Eu Rohs Directive

Pro-active compliance (Product out of EU RoHS legal scope)

China Rohs Regulation

[China RoHS declaration](#)

Environmental Disclosure

[Product Environmental Profile](#)

Weee

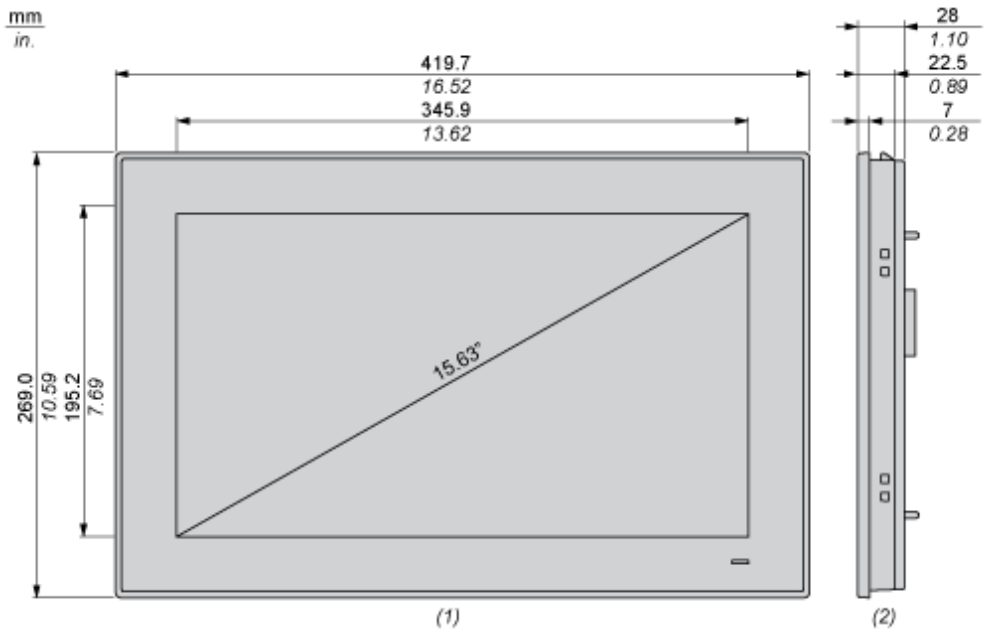
The product must be disposed on European Union markets following specific waste collection and never end up in rubbish bins

Circularity Profile

[End of Life Information](#)

Dimensions Drawings

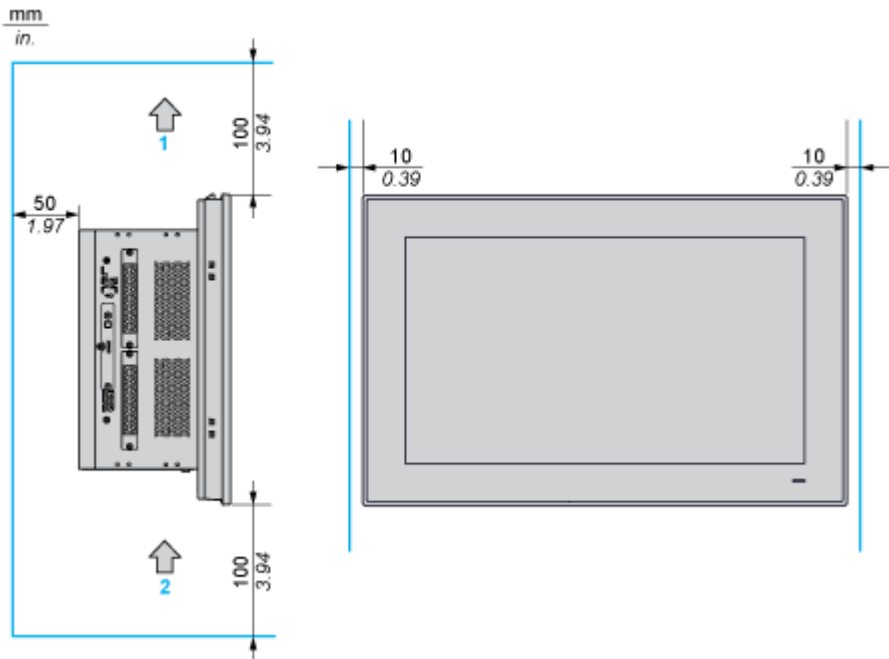
Dimensions



- (1) Front view
- (2) Right view

Mounting and Clearance

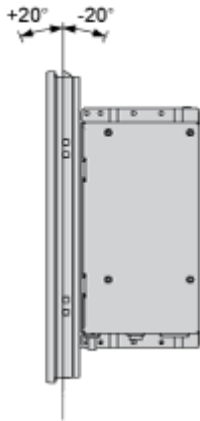
Spacing Requirements



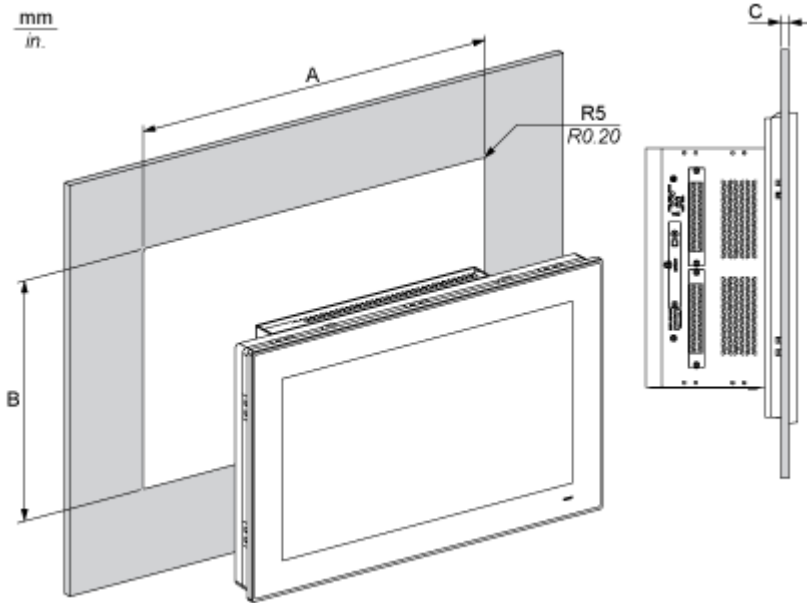
1 : Air out

2 : Air in

Mounting Orientation



Panel Cut Dimensions



A		B		C		R	
mm	in.	mm	in.	mm	in.	mm	in.
412.4	16.24	261.7	10.30	2...6	0.08...0.23	5	0.20