

Product datasheet

Specifications



Flat screen. Harmony Modular iPC. Display PC Wide 22" multi touch for HMIBM

HMIDMA521

Price: 46,812.61 ZAR

Main

Range Of Product	Harmony iPC
Product Or Component Type	Flat screen
Terminal Type	Touchscreen display
Device Mounting	Flush
Product Compatibility	Modular Box PC

Complementary

View Angle Horizontal X Vertical	150 x 150°
Contrast Ratio	500:1
Pixel Resolution	1024 x 1024
Touchscreen Resolution	4096 x 4096
Display Resolution	1920 x 1080 pixels full HD
Display Size	21.5 inch
Aspect Ratio	16:9
Display Type	LED Colour TFT LCD
Display Colour	16777216 colors
Luminance	300 cd/m ²
Backlight Lifespan	50000 hours at 25 °C
Touch Panel	Multi-touch projected capacitive technology (PCT)
Function Available	Operate with water on screen
[Us] Rated Supply Voltage	24 V DC power supply 100...240 V AC power supply
Supply Voltage Limits	18...36 V
Inrush Current	8.9 A
Power Consumption In W	64.85 W (Box PC HMIBMP) 59.85 W (Box PC HMIBMU)
Local Signalling	Status LED
Depth	Enclosure : 28 mm 7 mm
Height	349.8 mm
Width	558.4 mm
Net Weight	6.6 kg

Excluding VAT and subject to change. Please check with your local distributor through "Where to buy"

Environment

Standards	UL 60950 CSA C22.2 No 60950
Product Certifications	CCC C-Tick EAC
Ip Degree Of Protection	IP66
Nema Degree Of Protection	NEMA 4X
Pollution Degree	2
Ambient Air Temperature For Storage	-30...70 °C
Relative Humidity	10...95 % non-condensing
Ambient Air Temperature For Operation	0...55 °C
Operating Altitude	2000 m
Vibration Resistance	1 gn (f = 5...500 Hz) HDD 2 gn (f = 5...500 Hz) SSD 2 gn (f = 5...500 Hz) Cfast card

Packing Units

Unit Type Of Package 1	PCE
Number Of Units In Package 1	1
Package 1 Height	2.8 cm
Package 1 Width	35.0 cm
Package 1 Length	55.8 cm
Package 1 Weight	6.6 kg

Sustainability

Green Premium™ label is Schneider Electric's commitment to delivering products with best-in-class environmental performance. Green Premium promises compliance with the latest regulations, transparency on environmental impacts, as well as circular and low-CO₂ products.

Guide to assessing product sustainability is a white paper that clarifies global eco-label standards and how to interpret environmental declarations.

[Learn more about Green Premium >](#)

[Guide to assess a product's sustainability >](#)



Transparency RoHS/REACH

Well-being performance

Reach Free Of Svhc

Mercury Free

Rohs Exemption Information Yes

Certifications & Standards

Reach Regulation [REACH Declaration](#)

Eu Rohs Directive Pro-active compliance (Product out of EU RoHS legal scope)

China Rohs Regulation [China RoHS declaration](#)

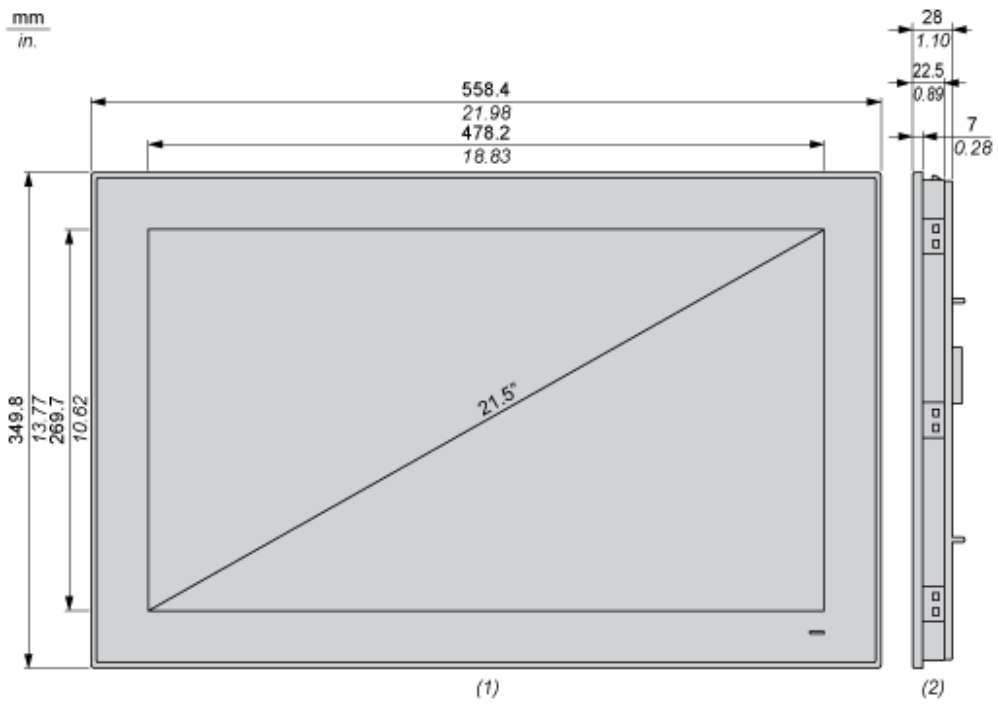
Environmental Disclosure [Product Environmental Profile](#)

Weee The product must be disposed on European Union markets following specific waste collection and never end up in rubbish bins

Circularity Profile [End of Life Information](#)

Dimensions Drawings

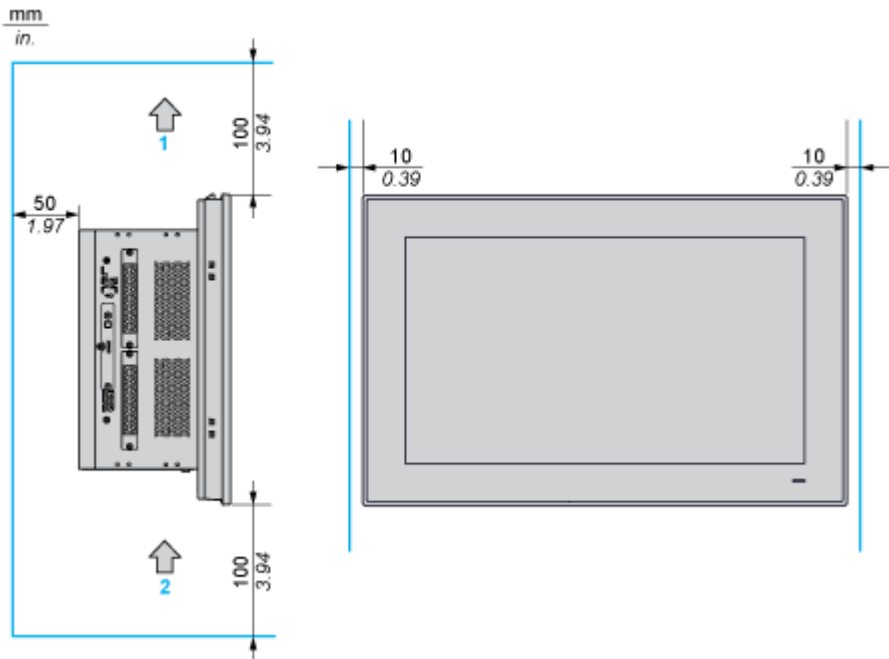
Dimensions



- (1) Front view
- (2) Right view

Mounting and Clearance

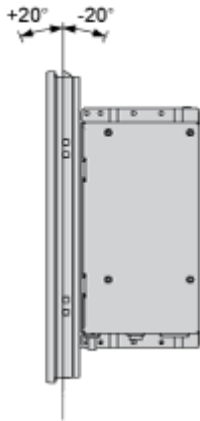
Spacing Requirements



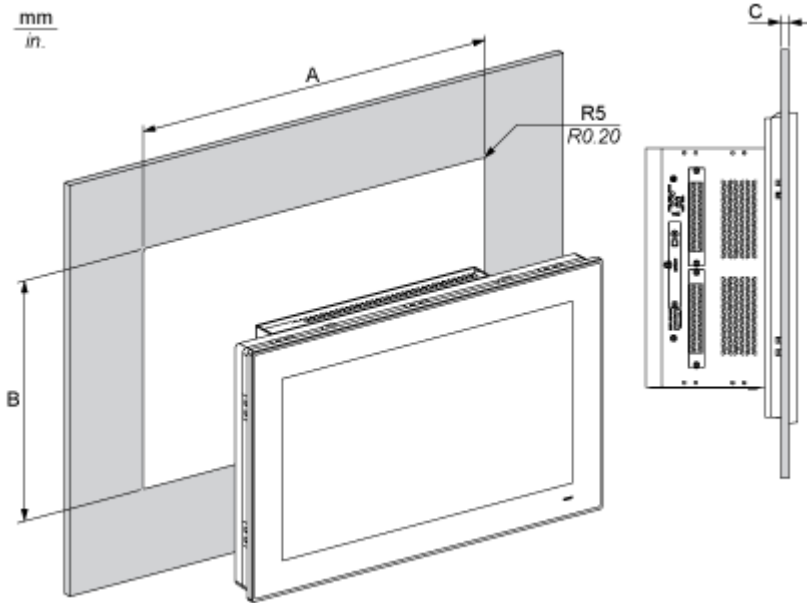
1 : Air out

2 : Air in

Mounting Orientation



Panel Cut Dimensions



A		B		C		R	
mm	in.	mm	in.	mm	in.	mm	in.
550.3	21.66	341.8	13.45	2...6	0.08...0.23	5	0.20