

Product datasheet

Specifications



Partner Module Ethernet System Weighing Transmitter - 1 channel

PMESWT0100

Price: 40,547.00 ZAR

Main

Range Of Product	Modicon X80
Product Or Component Type	Weighing transmitter module

Complementary

Product Compatibility	BMEXBP... backplane Head module BMECRA31210 BMEP58... processor
Power Consumption In W	3.5 W
Number Of Measurement Input	1
Input Voltage	5 V DC
Resolution	24 bits internal 1000000 points user factory calibrated 500000 at 2 mV/V
Measuring Rate	6...400 measurements per second internal 100 measurements per second external
Output Type	Reflex digital output
Discrete Output Number	4 positive logic (source) total 2 for dosing 2 for threshold monitoring
Discrete Output Voltage	<= 55 V DC
Nominal Output Current	400 mA
Response Time	2 ms
Discrete Input Number	2 positive logic for weighing functions
Voltage State 0 Guaranteed	0...3 V DC
Voltage State 1 Guaranteed	9...28 V DC
Discrete Input Current	20 mA at 24 V
Status Led	1 LED (green) module operating (RUN) 1 LED (red) module error (ERR) 1 LED (red) external fault (I/O) 1 LED (green) communication (COM) 1 LED (yellow) test mode (TEST) 1 LED (green) calibration (CAL) 1 LED (red) converter error (FAULT) 1 LED (red) memory corruption (MEM ERR) 1 LED (green) digital output status (S0) 1 LED (green) digital output status (S1)
Net Weight	0.233 kg

Packing Units

Unit Type Of Package 1	PCE
------------------------	-----

Excluding VAT and subject to change. Please check with your local distributor through "Where to buy"

Number Of Units In Package 1	1
Package 1 Height	7.2 cm
Package 1 Width	13.3 cm
Package 1 Length	17.0 cm
Package 1 Weight	287.0 g
Unit Type Of Package 2	S04
Number Of Units In Package 2	32
Package 2 Height	30.0 cm
Package 2 Width	40.0 cm
Package 2 Length	60.0 cm
Package 2 Weight	10.185 kg

Sustainability

Green Premium™ label is Schneider Electric's commitment to delivering products with best-in-class environmental performance. Green Premium promises compliance with the latest regulations, transparency on environmental impacts, as well as circular and low-CO₂ products.

Guide to assessing product sustainability is a white paper that clarifies global eco-label standards and how to interpret environmental declarations.


[Learn more about Green Premium >](#)

[Guide to assess a product's sustainability >](#)

Well-being performance

 Toxic Heavy Metal Free

 Mercury Free

 Rohs Exemption Information [Yes](#)

Eu Rohs Directive [Pro-active compliance \(Product out of EU RoHS legal scope\)](#)
[EU RoHS Declaration](#)

China Rohs Regulation [China RoHS declaration](#)

Weee [The product must be disposed on European Union markets following specific waste collection and never end up in rubbish bins](#)

Dimensions Drawings

Modules Mounted on Racks

Dimensions



(1) with removable terminal block (cage, screw or spring)

(2) with FCN connector

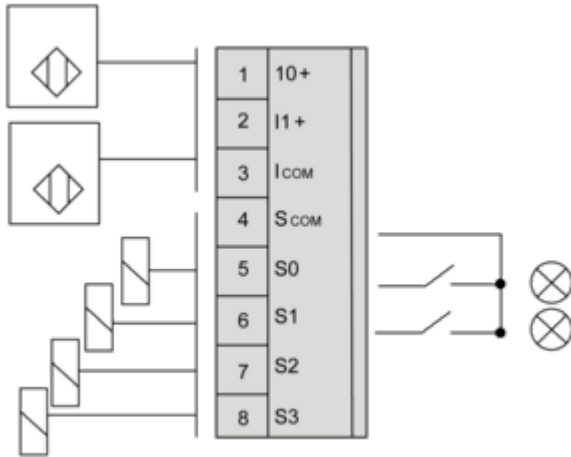
(3) on AM1 ED rail: 35 mm wide, 15 mm deep. Only possible with BMEXBP0400/0400H/0800/0800H/1200/1200H rack.

	a (in mm)	a (in in.)
BMEXBP0400 and BMEXBP0400H	242.4	09.54
BMEXBP0800 and BMEXBP0800H	372.8	14.68
BMEXBP1200 and BMEXBP1200H	503.2	19.81

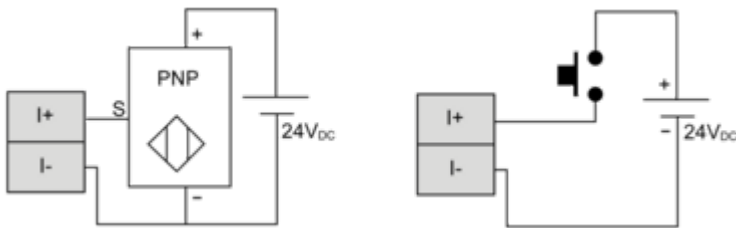
Connections and Schema

Module Connection

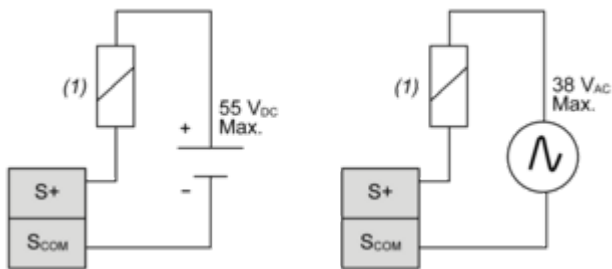
Input/Output Connections



Examples of Detector and Push-button Wiring



Examples of Output Wiring



(1) Load