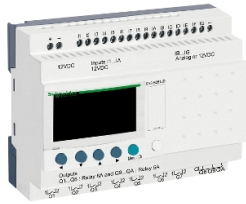


# Product datasheet

Specifications



## Modular smart relay. Zelio Logic. 26 I/O. 12 V DC. clock. display

SR3B261JD

**Price: 11,160.71 ZAR**

### Main

Range Of Product	Zelio Logic
Product Or Component Type	Modular smart relay

### Complementary

Local Display	With
Number Or Control Scheme Lines	0...500 with FBD programming 0...240 with ladder programming
Cycle Time	6...90 ms
Backup Time	10 years at 25 °C
Clock Drift	12 min/year at 0...55 °C 6 s/month at 25 °C
Checks	Program memory on each power up
[Us] Rated Supply Voltage	12 V
Supply Voltage Limits	10.4...14.4 V
Maximum Supply Current	250 mA (without extension) 400 mA (with extensions)
Power Dissipation In W	3 W without extension 5 W with extensions
Reverse Polarity Protection	With
Discrete Input Number	16 conforming to IEC 61131-2 Type 1
Discrete Input Type	Resistive
Discrete Input Voltage	12 V DC
Discrete Input Current	4 mA
Counting Frequency	1 kHz for discrete input
Voltage State 1 Guaranteed	$\geq 7$ V for IB...IG used as discrete input circuit $\geq 5.6$ V for I1...IA and IH...IR discrete input circuit
Voltage State 0 Guaranteed	$\leq 3$ V for IB...IG used as discrete input circuit $\leq 2.4$ V for I1...IA and IH...IR discrete input circuit
Current State 1 Guaranteed	$\geq 2$ mA (I1...IA and IH...IR discrete input circuit) $\geq 0.5$ mA (IB...IG used as discrete input circuit)
Current State 0 Guaranteed	$\leq 0.2$ mA (IB...IG used as discrete input circuit) $\leq 0.9$ mA (I1...IA and IH...IR discrete input circuit)
Input Compatibility	3-wire proximity sensors PNP for discrete input
Analogue Input Number	6
Analogue Input Type	Common mode

Excluding VAT and subject to change. Please check with your local distributor through "Where to buy"

<b>Analogue Input Range</b>	0...12 V 0...10 V
<b>Maximum Permissible Voltage</b>	14.4 V for analogue input circuit
<b>Analogue Input Resolution</b>	8 bits at maximum voltage
<b>Lsb Value</b>	39 mV for analogue input circuit
<b>Conversion Time</b>	Smart relay cycle time for analogue input circuit
<b>Conversion Error</b>	+/- 5 % at 25 °C for analogue input circuit +/- 6.2 % at 55 °C for analogue input circuit
<b>Repeat Accuracy</b>	+/- 2 % at 55 °C for analogue input circuit
<b>Operating Distance</b>	10 m between stations, with screened cable (sensor not isolated) for analogue input circuit
<b>Input Impedance</b>	14 kOhm for IB...IG used as analogue input circuit 14 kOhm for IB...IG used as discrete input circuit 2.7 kOhm for I1...IA and IH...IR discrete input circuit
<b>Number Of Outputs</b>	10 relay
<b>Output Voltage Limits</b>	24...250 V AC (relay output) 5...30 V DC (relay output)
<b>Contacts Type And Composition</b>	NO for relay output
<b>Output Thermal Current</b>	5 A for 2 outputs for relay output 8 A for 8 outputs for relay output
<b>Electrical Durability</b>	AC-12: 500000 cycles at 230 V, 1.5 A for relay output conforming to IEC 60947-5-1 AC-15: 500000 cycles at 230 V, 0.9 A for relay output conforming to IEC 60947-5-1 DC-12: 500000 cycles at 24 V, 1.5 A for relay output conforming to IEC 60947-5-1 DC-13: 500000 cycles at 24 V, 0.6 A for relay output conforming to IEC 60947-5-1
<b>Switching Capacity In Ma</b>	>= 10 mA at 12 V (relay output)
<b>Operating Rate In Hz</b>	0.1 Hz (at Ie) for relay output 10 Hz (no load) for relay output
<b>Mechanical Durability</b>	10000000 cycles for relay output
<b>[Uimp] Rated Impulse Withstand Voltage</b>	4 kV conforming to EN/IEC 60947-1 and EN/IEC 60664-1
<b>Clock</b>	With
<b>Response Time</b>	10 ms (from state 0 to state 1) for relay output 5 ms (from state 1 to state 0) for relay output
<b>Connections - Terminals</b>	Screw terminals, 1 x 0.2...1 x 2.5 mm <sup>2</sup> (AWG 25...AWG 14) semi-solid Screw terminals, 1 x 0.2...1 x 2.5 mm <sup>2</sup> (AWG 25...AWG 14) solid Screw terminals, 1 x 0.25...1 x 2.5 mm <sup>2</sup> (AWG 24...AWG 14) flexible with cable end Screw terminals, 2 x 0.2...2 x 1.5 mm <sup>2</sup> (AWG 24...AWG 16) solid Screw terminals, 2 x 0.25...2 x 0.75 mm <sup>2</sup> (AWG 24...AWG 18) flexible with cable end
<b>Tightening Torque</b>	0.5 N.m
<b>Overvoltage Category</b>	III conforming to IEC 60664-1
<b>Net Weight</b>	0.4 kg

## Environment

<b>Immunity To Microbreaks</b>	1 ms repeated 20 times
<b>Product Certifications</b>	C-Tick UL CSA GL GOST

<b>Standards</b>	IEC 60068-2-6 Fc IEC 61000-4-12 IEC 61000-4-3 IEC 61000-4-6 level 3 IEC 61000-4-5 IEC 61000-4-11 IEC 61000-4-2 level 3 IEC 60068-2-27 Ea IEC 61000-4-4 level 3
<b>Ip Degree Of Protection</b>	IP20 (terminal block) conforming to IEC 60529 IP40 (front panel) conforming to IEC 60529
<b>Environmental Characteristic</b>	EMC directive conforming to IEC 61000-6-2 EMC directive conforming to IEC 61000-6-3 EMC directive conforming to IEC 61000-6-4 EMC directive conforming to IEC 61131-2 zone B Low voltage directive conforming to IEC 61131-2
<b>Disturbance Radiated/Conducted</b>	Class B conforming to EN 55022-11 group 1
<b>Pollution Degree</b>	2 conforming to IEC 61131-2
<b>Ambient Air Temperature For Operation</b>	-20...40 °C in non-ventilated enclosure conforming to IEC 60068-2-1 and IEC 60068-2-2 -20...55 °C conforming to IEC 60068-2-1 and IEC 60068-2-2
<b>Ambient Air Temperature For Storage</b>	-40...70 °C
<b>Operating Altitude</b>	2000 m
<b>Maximum Altitude Transport</b>	3048 m
<b>Relative Humidity</b>	95 % without condensation or dripping water

## Packing Units

<b>Unit Type Of Package 1</b>	PCE
<b>Number Of Units In Package 1</b>	1
<b>Package 1 Height</b>	6.8 cm
<b>Package 1 Width</b>	10 cm
<b>Package 1 Length</b>	13.3 cm
<b>Package 1 Weight</b>	383 g
<b>Unit Type Of Package 2</b>	S03
<b>Number Of Units In Package 2</b>	20
<b>Package 2 Height</b>	30 cm
<b>Package 2 Width</b>	30 cm
<b>Package 2 Length</b>	40 cm
<b>Package 2 Weight</b>	8.056 kg

## Contractual warranty

<b>Warranty</b>	18 months
-----------------	-----------

## Sustainability

**Green Premium™ label** is Schneider Electric's commitment to delivering products with best-in-class environmental performance. Green Premium promises compliance with the latest regulations, transparency on environmental impacts, as well as circular and low-CO<sub>2</sub> products.

**Guide to assessing product sustainability** is a white paper that clarifies global eco-label standards and how to interpret environmental declarations.

[Learn more about Green Premium >](#)

[Guide to assess a product's sustainability >](#)



Transparency RoHS/REACH

## Well-being performance

Mercury Free

Rohs Exemption Information [Yes](#)

Pvc Free

## Certifications & Standards

Reach Regulation [REACH Declaration](#)

Eu Rohs Directive Pro-active compliance (Product out of EU RoHS legal scope)

China Rohs Regulation [China RoHS declaration](#)

Environmental Disclosure [Product Environmental Profile](#)

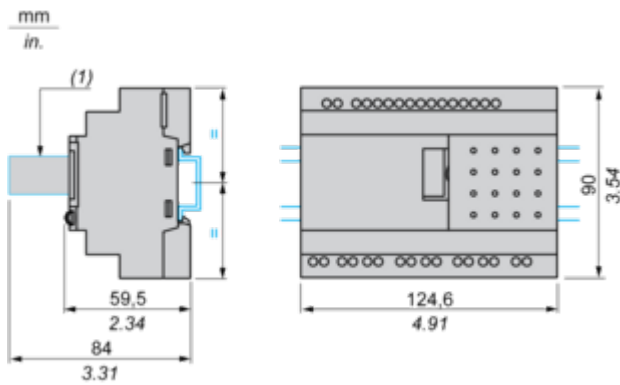
Weee The product must be disposed on European Union markets following specific waste collection and never end up in rubbish bins

Circularity Profile [End of Life Information](#)

Dimensions Drawings

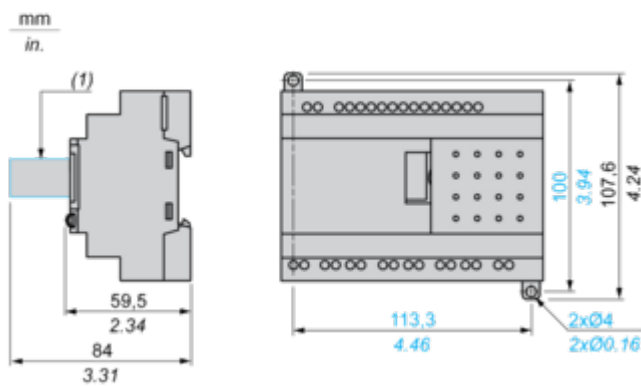
Compact and Modular Smart Relays

Mounting on 35 mm/1.38 in. DIN Rail



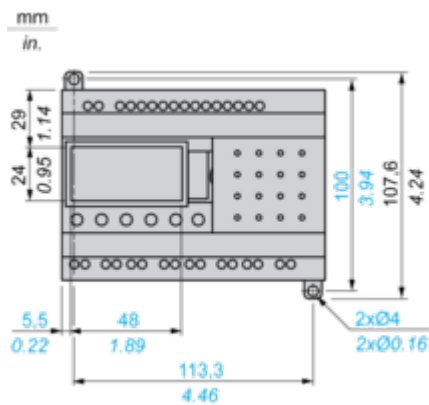
(1) With SR2USB01 or SR2BTC01

Screw Fixing (Retractable Lugs)



(1) With SR2USB01 or SR2BTC01

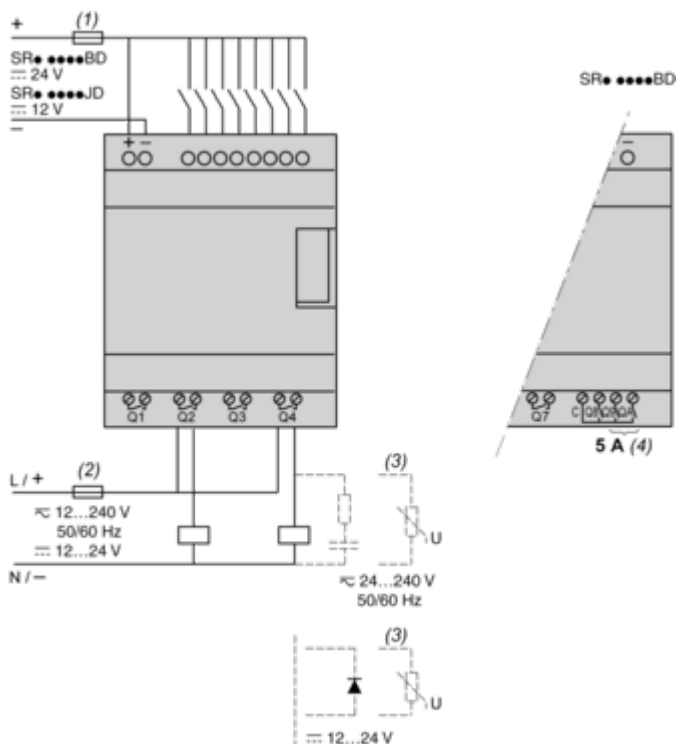
Position of Display



Connections and Schema

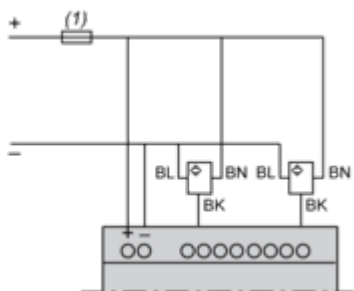
Compact and Modular Smart Relays

Connection of Smart Relays on DC Supply



- (1) 1 A quick-blow fuse or circuit-breaker.
- (2) Fuse or circuit-breaker.
- (3) Inductive load.
- (4) Q9 and QA: 5 A (max. current in terminal C: 10 A).

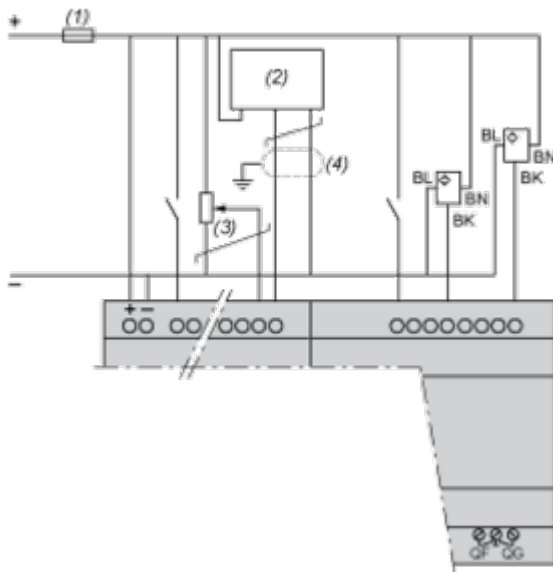
Discrete Input Used for 3-Wire Sensors



- (1) 1 A quick-blow fuse or circuit-breaker.

Connection of Smart Relays on DC Supply, with Discrete I/O Extension Modules

SR3B...JD + SR3XT...JD, SR3B...BD + SR3XT...BD



- (1) 1 A quick-blow fuse or circuit-breaker.
- (2) Ca: Analog sensor / Ta: Analog transmitter.
- (3) Recommended values: 2.2 kΩ / 0.5 W (10 kΩ max.)
- (4) Screened cables, maximum length 10 m / 32.80 feet.

**NOTE:** QF and QG : 5 A for SR3XT141..

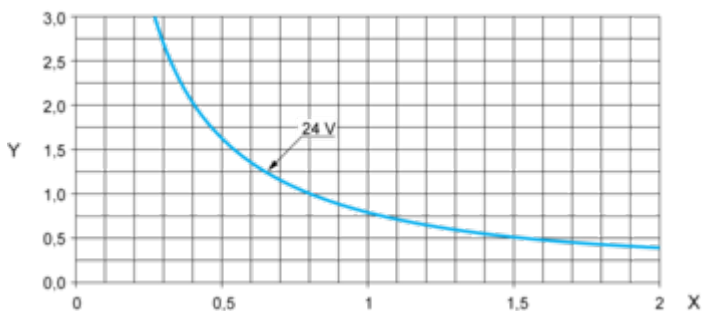
Performance Curves

Compact and Modular Smart Relays

Electrical Durability of Relay Outputs

(in millions of operating cycles, conforming to IEC/EN 60947-5-1)

DC-12 (1)

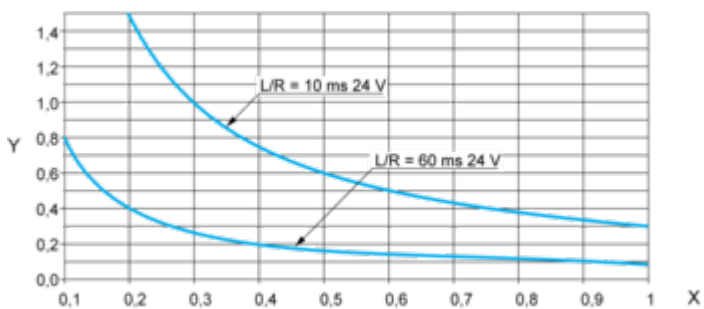


X: Current (A)

Y: Millions of operating cycles

(1) DC-12: control of resistive loads and of solid state loads isolated by opto-coupler,  $L/R \leq 1$  ms.

DC-13 (1)



X: Current (A)

Y: Millions of operating cycles

(1) DC-13: switching electromagnets,  $L/R \leq 2 \times (U_e \times I_e)$  in ms,  $U_e$ : rated operational voltage,  $I_e$ : rated operational current (with a protection diode on the load, DC-12 curves must be used with a coefficient of 0.9 applied to the number in millions of operating cycles).