

# Product datasheet

Specifications



## Discrete I/O extension module. Zelio Logic. 10 I/O. 100...240 V AC

SR3XT101FU

**Price: 4,545.85 ZAR**

### Main

|                           |                               |
|---------------------------|-------------------------------|
| Range Of Product          | Zelio Logic                   |
| Product Or Component Type | Discrete I/O extension module |

### Complementary

|                                |                                                                                                                                                                                                                                                                                                                                                |
|--------------------------------|------------------------------------------------------------------------------------------------------------------------------------------------------------------------------------------------------------------------------------------------------------------------------------------------------------------------------------------------|
| Number Or Control Scheme Lines | 120 with ladder programming                                                                                                                                                                                                                                                                                                                    |
| Cycle Time                     | 6...90 ms                                                                                                                                                                                                                                                                                                                                      |
| Backup Time                    | 10 years at 25 °C                                                                                                                                                                                                                                                                                                                              |
| Clock Drift                    | 12 min/year at 0...55 °C                                                                                                                                                                                                                                                                                                                       |
| Checks                         | Program memory on each power up                                                                                                                                                                                                                                                                                                                |
| [Us] Rated Supply Voltage      | 100...240 V AC                                                                                                                                                                                                                                                                                                                                 |
| Supply Voltage Limits          | 85...264 V                                                                                                                                                                                                                                                                                                                                     |
| Supply Frequency               | 50/60 Hz                                                                                                                                                                                                                                                                                                                                       |
| Reverse Polarity Protection    | With                                                                                                                                                                                                                                                                                                                                           |
| Discrete Input Number          | 6                                                                                                                                                                                                                                                                                                                                              |
| Discrete Input Voltage         | 100...240 V AC                                                                                                                                                                                                                                                                                                                                 |
| Discrete Input Current         | 0.6 mA                                                                                                                                                                                                                                                                                                                                         |
| Discrete Input Frequency       | 47...53 Hz<br>57...63 Hz                                                                                                                                                                                                                                                                                                                       |
| Voltage State 1 Guaranteed     | >= 79 V for discrete input                                                                                                                                                                                                                                                                                                                     |
| Voltage State 0 Guaranteed     | <= 40 V for discrete input                                                                                                                                                                                                                                                                                                                     |
| Current State 1 Guaranteed     | >= 0.17 mA (discrete input)                                                                                                                                                                                                                                                                                                                    |
| Current State 0 Guaranteed     | <= 0.5 mA (discrete input)                                                                                                                                                                                                                                                                                                                     |
| Input Impedance                | 350 kOhm for discrete input                                                                                                                                                                                                                                                                                                                    |
| Number Of Outputs              | 4 relay                                                                                                                                                                                                                                                                                                                                        |
| Output Voltage Limits          | 5...30 V DC (relay output)<br>24...250 V AC                                                                                                                                                                                                                                                                                                    |
| Contacts Type And Composition  | NO for relay output                                                                                                                                                                                                                                                                                                                            |
| Output Thermal Current         | 8 A for all 4 outputs for relay output                                                                                                                                                                                                                                                                                                         |
| Electrical Durability          | AC-15: 500000 cycles at 230 V, 0.9 A for relay output conforming to IEC 60947-5-1<br>AC-12: 500000 cycles at 230 V, 1.5 A for relay output conforming to IEC 60947-5-1<br>DC-13: 500000 cycles at 24 V, 0.6 A for relay output conforming to IEC 60947-5-1<br>DC-12: 500000 cycles at 24 V, 1.5 A for relay output conforming to IEC 60947-5-1 |
| Switching Capacity In Ma       | >= 10 mA at 12 V (relay output)                                                                                                                                                                                                                                                                                                                |

Excluding VAT and subject to change. Please check with your local distributor through "Where to buy"

|                                               |                                                                                                                                                                                                                                                                                                                                                                                                                                                |
|-----------------------------------------------|------------------------------------------------------------------------------------------------------------------------------------------------------------------------------------------------------------------------------------------------------------------------------------------------------------------------------------------------------------------------------------------------------------------------------------------------|
| <b>Operating Rate In Hz</b>                   | 0.1 Hz (at Ie) for relay output<br>10 Hz (no load) for relay output                                                                                                                                                                                                                                                                                                                                                                            |
| <b>Mechanical Durability</b>                  | 10000000 cycles for relay output                                                                                                                                                                                                                                                                                                                                                                                                               |
| <b>[Uimp] Rated Impulse Withstand Voltage</b> | 4 kV conforming to EN/IEC 60947-1 and EN/IEC 60664-1                                                                                                                                                                                                                                                                                                                                                                                           |
| <b>Response Time</b>                          | 50 ms with ladder programming (from state 0 to state 1) for discrete input<br>50 ms with ladder programming (from state 1 to state 0) for discrete input<br>50...255 ms with FBD programming (from state 0 to state 1) for discrete input<br>50...255 ms with FBD programming (from state 1 to state 0) for discrete input<br>10 ms (from state 0 to state 1) for relay output<br>5 ms (from state 1 to state 0) for relay output              |
| <b>Connections - Terminals</b>                | Screw terminals, 1 x 0.25...1 x 2.5 mm <sup>2</sup> (AWG 24...AWG 14) flexible with cable end<br>Screw terminals, 2 x 0.25...2 x 0.75 mm <sup>2</sup> (AWG 24...AWG 18) flexible with cable end<br>Screw terminals, 1 x 0.2...1 x 2.5 mm <sup>2</sup> (AWG 25...AWG 14) semi-solid<br>Screw terminals, 1 x 0.2...1 x 2.5 mm <sup>2</sup> (AWG 25...AWG 14) solid<br>Screw terminals, 2 x 0.2...2 x 1.5 mm <sup>2</sup> (AWG 24...AWG 16) solid |
| <b>Tightening Torque</b>                      | 0.5 N.m                                                                                                                                                                                                                                                                                                                                                                                                                                        |
| <b>Overvoltage Category</b>                   | III conforming to IEC 60664-1                                                                                                                                                                                                                                                                                                                                                                                                                  |
| <b>Net Weight</b>                             | 0.2 kg                                                                                                                                                                                                                                                                                                                                                                                                                                         |

## Environment

|                                              |                                                                                                                                                                                                                                          |
|----------------------------------------------|------------------------------------------------------------------------------------------------------------------------------------------------------------------------------------------------------------------------------------------|
| <b>Product Certifications</b>                | GOST<br>UL<br>CSA<br>C-Tick<br>GL                                                                                                                                                                                                        |
| <b>Standards</b>                             | IEC 60068-2-27 Ea<br>IEC 61000-4-12<br>IEC 61000-4-3<br>IEC 61000-4-2 level 3<br>IEC 61000-4-5<br>IEC 61000-4-6 level 3<br>IEC 60068-2-6 Fc<br>IEC 61000-4-11<br>IEC 61000-4-4 level 3                                                   |
| <b>Ip Degree Of Protection</b>               | IP20 (terminal block) conforming to IEC 60529<br>IP40 (front panel) conforming to IEC 60529                                                                                                                                              |
| <b>Environmental Characteristic</b>          | EMC directive conforming to IEC 61000-6-2<br>EMC directive conforming to IEC 61000-6-3<br>EMC directive conforming to IEC 61000-6-4<br>EMC directive conforming to IEC 61131-2 zone B<br>Low voltage directive conforming to IEC 61131-2 |
| <b>Disturbance Radiated/Conducted</b>        | Class B conforming to EN 55022-11 group 1                                                                                                                                                                                                |
| <b>Pollution Degree</b>                      | 2 conforming to IEC 61131-2                                                                                                                                                                                                              |
| <b>Ambient Air Temperature For Operation</b> | -20...40 °C in non-ventilated enclosure conforming to IEC 60068-2-1 and IEC 60068-2-2<br>-20...55 °C conforming to IEC 60068-2-1 and IEC 60068-2-2                                                                                       |
| <b>Ambient Air Temperature For Storage</b>   | -40...70 °C                                                                                                                                                                                                                              |
| <b>Operating Altitude</b>                    | 2000 m                                                                                                                                                                                                                                   |
| <b>Maximum Altitude Transport</b>            | 3048 m                                                                                                                                                                                                                                   |
| <b>Relative Humidity</b>                     | 95 % without condensation or dripping water                                                                                                                                                                                              |

## Packing Units

|                                     |          |
|-------------------------------------|----------|
| <b>Unit Type Of Package 1</b>       | PCE      |
| <b>Number Of Units In Package 1</b> | 1        |
| <b>Package 1 Height</b>             | 6.500 cm |

|                              |           |
|------------------------------|-----------|
| Package 1 Width              | 9.000 cm  |
| Package 1 Length             | 10.000 cm |
| Package 1 Weight             | 183.000 g |
| Unit Type Of Package 2       | S03       |
| Number Of Units In Package 2 | 30        |
| Package 2 Height             | 30.000 cm |
| Package 2 Width              | 30.000 cm |
| Package 2 Length             | 40.000 cm |
| Package 2 Weight             | 5.967 kg  |

## Contractual warranty

|          |           |
|----------|-----------|
| Warranty | 18 months |
|----------|-----------|

## Sustainability

**Green Premium™ label** is Schneider Electric's commitment to delivering products with best-in-class environmental performance. Green Premium promises compliance with the latest regulations, transparency on environmental impacts, as well as circular and low-CO<sub>2</sub> products.

**Guide to assessing product sustainability** is a white paper that clarifies global eco-label standards and how to interpret environmental declarations.

[Learn more about Green Premium >](#)

[Guide to assess a product's sustainability >](#)



Transparency RoHS/REACH

## Well-being performance

Mercury Free

Rohs Exemption Information Yes

Pvc Free

## Certifications & Standards

Reach Regulation [REACH Declaration](#)

Eu Rohs Directive Pro-active compliance (Product out of EU RoHS legal scope)

China Rohs Regulation [China RoHS declaration](#)

Environmental Disclosure [Product Environmental Profile](#)

Weee The product must be disposed on European Union markets following specific waste collection and never end up in rubbish bins

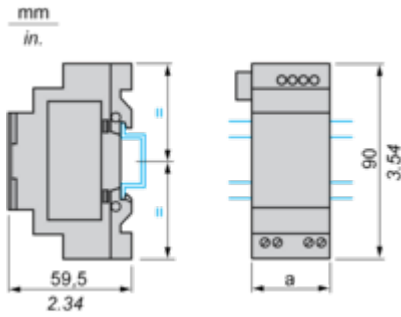
Circularity Profile [End of Life Information](#)

Dimensions Drawings

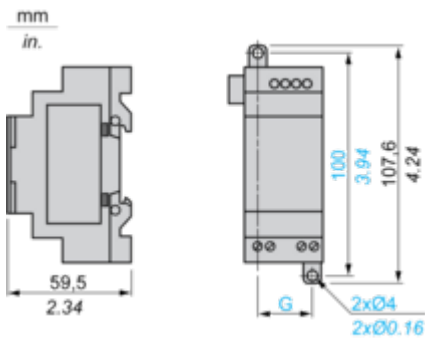
I/O Extension Modules

---

Mounting on 35 mm/1.38 in. DIN Rail



Screw Fixing (Retractable Lugs)



| SR3     | a (mm/in.) | G (mm/in.) |
|---------|------------|------------|
| XT61••  | 35 / 1.38  | 25 / 0.98  |
| XT101•• | 72 / 2.83  | 60 / 2.36  |
| XT141•• | 72 / 2.83  | 60 / 2.36  |

Connections and Schema

Connection of Smart Relays on AC Supply

SR••••1B, SR••••1FU



- (1) 1 A quick-blow fuse or circuit-breaker.
- (2) Fuse or circuit-breaker.
- (3) Inductive load.
- (4) Q9 and QA: 5 A (max. current in terminal C: 10 A).

With Discrete I/O Extension Module

SR3B•••B + SR3XT•••B, SR3B•••FU + SR3XT•••FU



- (1) 1 A quick-blow fuse or circuit-breaker.

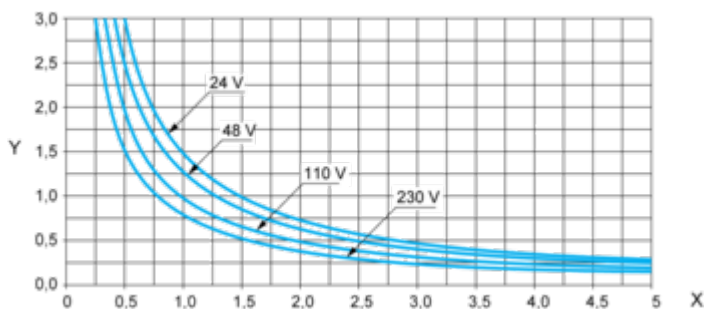
**NOTE:** QF and QG: 5 A for SR3XT141••

Performance Curves

Compact and Modular Smart Relays

Electrical Durability of Relay Outputs

(in millions of operating cycles, conforming to IEC/EN 60947-5-1)  
AC-12 (1)



X: Current (A)

Y: Millions of operating cycles

(1) AC-12: switching resistive loads and opto-coupler isolated solid-state loads,  $\cos \geq 0.9$ .

AC-14 (1)



X: Current (A)

Y: Millions of operating cycles

(1) AC-14: switching small electromagnetic loads  $\leq 72$  VA, make:  $\cos = 0.3$ , break:  $\cos = 0.3$ .

AC-15 (1)



X: Current (A)

Y: Millions of operating cycles

(1) AC-15: switching electromagnetic loads  $\geq 72$  VA, make:  $\cos = 0.7$ , break:  $\cos = 0.4$ .