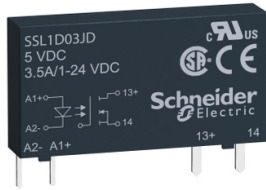


Product datasheet

Specifications



Harmony. Solid state relay. 3.5 A.
DC switching. input 38...72 V DC.
output 1...24 V DC

SSL1D03ND

! Discontinued

! Discontinued on: 22 Oct 2021

! To be end-of-service on: 31 Dec 2025

Price: 444.19 ZAR

Main

Range Of Product	Harmony Relay
Product Or Component Type	Solid state relay
Device Short Name	SSL
Network Number Of Phases	1 phase

Complementary

Mounting Support	Socket
[In] Rated Current	3.5 A
Output Voltage	1...24 V DC
[Uc] Control Circuit Voltage	38...72 V DC
Contacts Type And Configuration	1 NO
Capacitance Unbalance	1.5 pF input/output
Minimum Switching Voltage	38 V DC turn-on
Maximum Switching Voltage	15 V DC turn-off
Input Current Limits	3 mA
Input Impedance	20 kOhm
Solid State Output Type	Mosfet output DC switching
Load Current	0.001...3.5 A
Tansient Overvoltage	30 V DC
Maximum Operating Frequency	500 Hz
Surge Current	9 A for 10 ms
Maximum Voltage Drop	<0.5 V on-state
Maximum Leakage Current	0.001 mA off-state
Response Time	0.12 ms (turn-on) 0.1 ms (turn-off)
Overvoltage Category	III
Width	5 mm
Height	28 mm
Depth	15 mm

Excluding VAT and subject to change. Please check with your local distributor through "Where to buy"

Net Weight	0.0041 kg
------------	-----------

Environment

Flame Retardance	V0 conforming to UL 94
------------------	------------------------

Dielectric Strength	2500 V for input/output
---------------------	-------------------------

Pollution Degree	2
------------------	---

Product Certifications	CSA UL
------------------------	-----------

Marking	CE
---------	----

Ambient Air Temperature For Operation	-20...80 °C
---------------------------------------	-------------

Ambient Air Temperature For Storage	-20...85 °C
-------------------------------------	-------------

Packing Units

Unit Type Of Package 1	PCE
------------------------	-----

Number Of Units In Package 1	1
------------------------------	---

Package 1 Height	0.7 cm
------------------	--------

Package 1 Width	2.5 cm
-----------------	--------

Package 1 Length	37 cm
------------------	-------

Package 1 Weight	5 g
------------------	-----

Sustainability

Green Premium™ label is Schneider Electric's commitment to delivering products with best-in-class environmental performance. Green Premium promises compliance with the latest regulations, transparency on environmental impacts, as well as circular and low-CO₂ products.

Guide to assessing product sustainability is a white paper that clarifies global eco-label standards and how to interpret environmental declarations.

[Learn more about Green Premium >](#)

[Guide to assess a product's sustainability >](#)



Transparency RoHS/REACH

Well-being performance

Mercury Free

Rohs Exemption Information Yes

Certifications & Standards

Reach Regulation [REACH Declaration](#)

Eu Rohs Directive Pro-active compliance (Product out of EU RoHS legal scope)

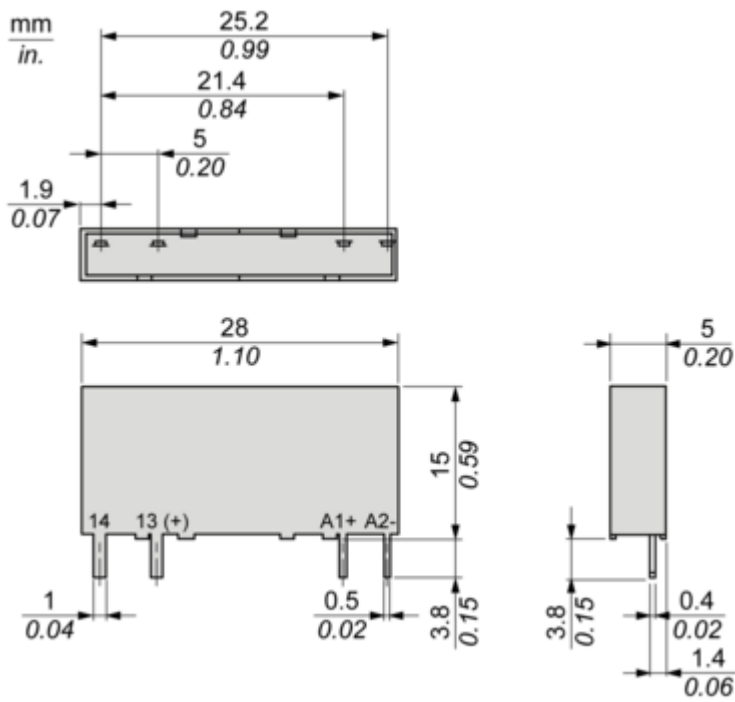
China Rohs Regulation [China RoHS declaration](#)

Environmental Disclosure [Product Environmental Profile](#)

Circularity Profile [End of Life Information](#)

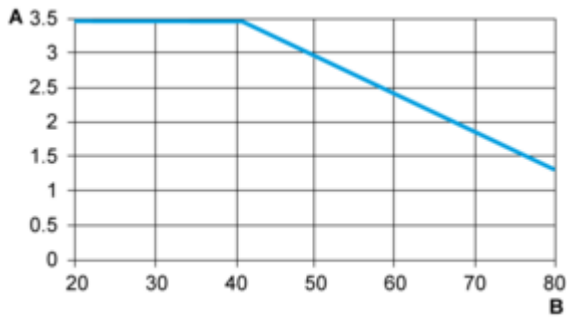
Dimensions Drawings

Dimensions



Performance Curves

Derating Curves



A : Load Current (Amperes)

B : Ambient Temperature (°C)