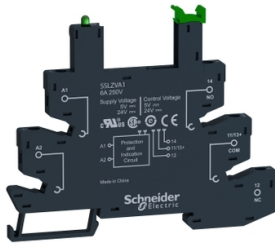


Product datasheet

Specifications



Harmony. Socket equipped with LED and protection circuit. for SSL relays. screw connectors. 5/ 24 V DC

SSLZVA1

Price: 137.58 ZAR

Main

Range Of Product	Harmony Solid State Relays
Device Short Name	SSLZ
Product Or Component Type	Socket for SSL1
Product Compatibility	Solid state relay SSL with NO contact at 24 V DC Solid state relay SSL with NO contact at 5 V DC
[Ith] Conventional Free Air Thermal Current	6 A
Switching Voltage	5 V DC 24 V DC
[Ue] Rated Operational Voltage	< 250 V DC

Complementary

Shape Of Pin	Flat
Contact Terminal Arrangement	Separate
Connections - Terminals	Screw clamp terminals, 1 x 0.2...1 x 2.5 mm ² (AWG 24...AWG 14) solid without cable end Screw clamp terminals, 1 x 0.2...1 x 2.5 mm ² (AWG 24...AWG 14) flexible with cable end
Tightening Torque	< 0.4 N.m for M2.5 screw(s)
Fixing Mode	Clip-on (35 mm DIN rail)
Sale Per Indivisible Quantity	10
Local Signalling	LED (green) for input status
Width	6.2 mm
Height	101 mm
Depth	78.6 mm
Net Weight	0.0285 kg

Environment

Standards	IEC 61984
Product Certifications	CSA C22-2 No 14 UL 508
Marking	CE
Ambient Air Temperature For Storage	-40...85 °C
Ambient Air Temperature For Operation	-40...70 °C

Excluding VAT and subject to change. Please check with your local distributor through "Where to buy"

Ip Degree Of Protection	IP20
--------------------------------	------

Flame Retardance	V0 conforming to UL 94
-------------------------	------------------------

Packing Units

Unit Type Of Package 1	PCE
-------------------------------	-----

Number Of Units In Package 1	1
-------------------------------------	---

Package 1 Height	9.6 cm
-------------------------	--------

Package 1 Width	0.62 cm
------------------------	---------

Package 1 Length	7.9 cm
-------------------------	--------

Package 1 Weight	31.0 g
-------------------------	--------

Unit Type Of Package 2	BB1
-------------------------------	-----

Number Of Units In Package 2	10
-------------------------------------	----

Package 2 Height	7.0 cm
-------------------------	--------

Package 2 Width	8.6 cm
------------------------	--------

Package 2 Length	10.3 cm
-------------------------	---------

Package 2 Weight	340.0 g
-------------------------	---------

Unit Type Of Package 3	S03
-------------------------------	-----

Number Of Units In Package 3	300
-------------------------------------	-----

Package 3 Height	30.0 cm
-------------------------	---------

Package 3 Width	30.0 cm
------------------------	---------

Package 3 Length	40.0 cm
-------------------------	---------

Package 3 Weight	9.2 kg
-------------------------	--------

Sustainability

Green Premium™ label is Schneider Electric's commitment to delivering products with best-in-class environmental performance. Green Premium promises compliance with the latest regulations, transparency on environmental impacts, as well as circular and low-CO₂ products.

Guide to assessing product sustainability is a white paper that clarifies global eco-label standards and how to interpret environmental declarations.

[Learn more about Green Premium >](#)

[Guide to assess a product's sustainability >](#)



Transparency RoHS/REACH

Well-being performance

Reach Free Of Svhc

Toxic Heavy Metal Free

Mercury Free

Rohs Exemption Information Yes

Certifications & Standards

Reach Regulation [REACH Declaration](#)

Eu Rohs Directive Pro-active compliance (Product out of EU RoHS legal scope)
[EU RoHS Declaration](#)

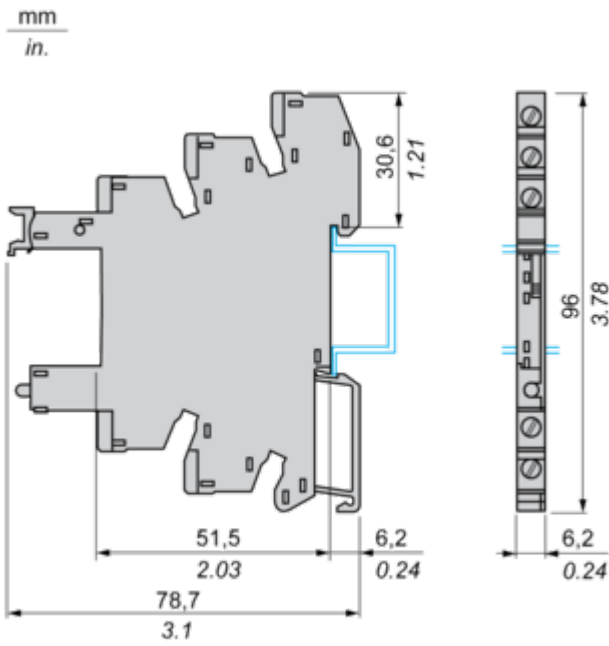
China Rohs Regulation [China RoHS declaration](#)

Environmental Disclosure [Product Environmental Profile](#)

Circularity Profile [End of Life Information](#)

Dimensions Drawings

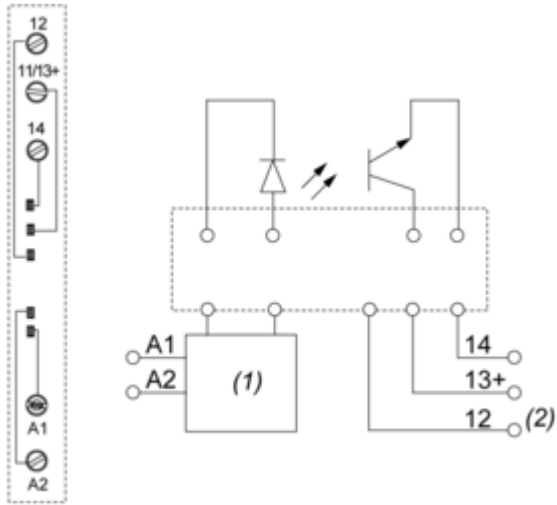
Dimensions



Connections and Schema

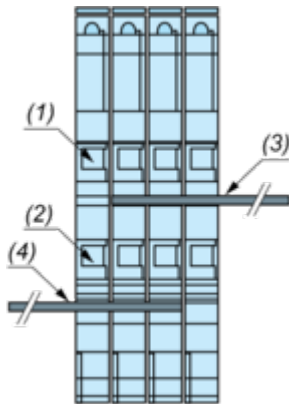
Wiring Diagram

Wiring Diagram for DC Output



- (1) Protection circuit
- (2) Terminal 12 is not in use for SSL Relay

Example of RSLZ2 Bus Jumper Mounting on Sockets



- (1) A1
- (2) A2
- (3) Bus jumper polarity A1
- (4) Bus jumper polarity A2