

Product datasheet

Specifications



Harmony. Solid state relay. 10 A.
panel mount. zero voltage
switching. thermal pad. input 3...32
V DC. output 24...300 V AC

SSP1A110BDT

Price: 1,217.31 ZAR

Main

| | |
|---------------------------|--------------------------------------|
| Range Of Product | Harmony Solid State Relays |
| Product Or Component Type | Solid state relay up to 10 A |
| Provided Accessory | Thermal pad |
| Device Short Name | SSP1E |
| Mounting Support | Panel |
| Number Of Phases | 1 phase |
| [In] Rated Current | 10 A |
| Solid State Output Type | SCR output Zero voltage switching |
| Output Switching Mode | Zero voltage switching |

Complementary

| | |
|-------------------------------------|--|
| [Uc] Control Circuit Voltage | 3...32 V DC |
| Minimum Switching Voltage | 3 V DC turn-on |
| Maximum Switching Voltage | 1 V DC turn-off |
| Response Time | 0.5 cycle (turn-on) 0.5 cycle (turn-off) |
| Input Current | 10 mA at 12 V DC |
| Output Voltage | 24...300 V AC |
| Load Current | 0.15...10 A |
| Transient Overvoltage | 600 V |
| Surge Current | 120 A for 16.6 ms |
| Maximum I ² T For Fusing | 60 A ² .s for 8.33 ms at 60 Hz 66 A ² .s for 10 ms at 50 Hz |
| Co-Ordination Type | Type 1 - 13 A miniature circuit breaker (MCB) - curve B Type 2 - 10 A miniature circuit breaker (MCB) - curve B |
| Maximum Leakage Current | 1 mA off-state |
| Maximum Voltage Drop | <1.15 V on-state |
| Dv/Dt | 500 V/μs off-state at maximum voltage |
| Power Factor | 0.5 (with maximum load) |
| Motor Controller Rating | 0.5 hp 120 V AC 1 hp 240 V AC |
| Insulation Resistance | 1000 MOhm at 500 V DC |

Excluding VAT and subject to change. Please check with your local distributor through "Where to buy"

| | |
|---|---|
| Maximum Capacitance | 10 pF for input/output |
| Dielectric Strength | 4 kV AC for input/output 4 kV AC for input or output to case |
| [Uimp] Rated Impulse Withstand Voltage | 6 kV output to case 6 kV input to output |
| Tightening Torque | 1.5...1.7 N.m for input 2...2.2 N.m for output |
| Connections - Terminals | Screw terminals: 0.2...3.3 mm ² , (AWG 24...AWG 12) with cable end for input Screw terminals: 0.5...5.26 mm ² , (AWG 20...AWG 10) with cable end for output Screw terminals: 0.2...3.3 mm ² , (AWG 24...AWG 12) without cable end for input Screw terminals: 0.5...8.26 mm ² , (AWG 20...AWG 8) without cable end for output Forked type tag connectors: 9.2 x 4 mm for input Ring lugs: 9.2 x 4 mm for input Forked type tag connectors: 11.7 x 4.5 mm for output Ring lugs: 11.7 x 4.5 mm for output |
| Thermal Resistance | 1.03 °C/W junction to case |
| Thermal Pad Impedance | 0.48 °C-in ² /W at 25 psi |
| Led Indicator | LED, green for input |
| Ip Degree Of Protection | IP20 |
| Safety Reliability Data | MTTFd = 1875.9 years B10d = 1731395 |
| Net Weight | 89.2 g |
| Device Presentation | Complete product |

Environment

| | |
|--|--|
| Ambient Air Temperature For Operation | -40...80 °C |
| Ambient Air Temperature For Storage | -40...125 °C |
| Pollution Degree | 2 |
| Overvoltage Category | III |
| Product Certifications | CE CSA UL EAC |
| Marking | CE EAC CSA UL |
| Standards | CSA C22.2 No 14-13 EN/IEC 62314 UL 508 EN/IEC 60950-1 |

Packing Units

| | |
|-------------------------------------|--------|
| Unit Type Of Package 1 | PCE |
| Number Of Units In Package 1 | 1 |
| Package 1 Height | 3.4 cm |
| Package 1 Width | 4.8 cm |
| Package 1 Length | 6.5 cm |
| Package 1 Weight | 97.0 g |
| Unit Type Of Package 2 | S01 |
| Number Of Units In Package 2 | 30 |

| | |
|-------------------------|---------|
| Package 2 Height | 15.0 cm |
| Package 2 Width | 15.0 cm |
| Package 2 Length | 40.0 cm |
| Package 2 Weight | 3.2 kg |

Sustainability

Green Premium™ label is Schneider Electric's commitment to delivering products with best-in-class environmental performance. Green Premium promises compliance with the latest regulations, transparency on environmental impacts, as well as circular and low-CO₂ products.

Guide to assessing product sustainability is a white paper that clarifies global eco-label standards and how to interpret environmental declarations.

[Learn more about Green Premium >](#)

[Guide to assess a product's sustainability >](#)



Transparency RoHS/REACH

Well-being performance

Mercury Free

Rohs Exemption Information Yes

Certifications & Standards

Reach Regulation [REACH Declaration](#)

Eu Rohs Directive Pro-active compliance (Product out of EU RoHS legal scope)

China Rohs Regulation [China RoHS declaration](#)

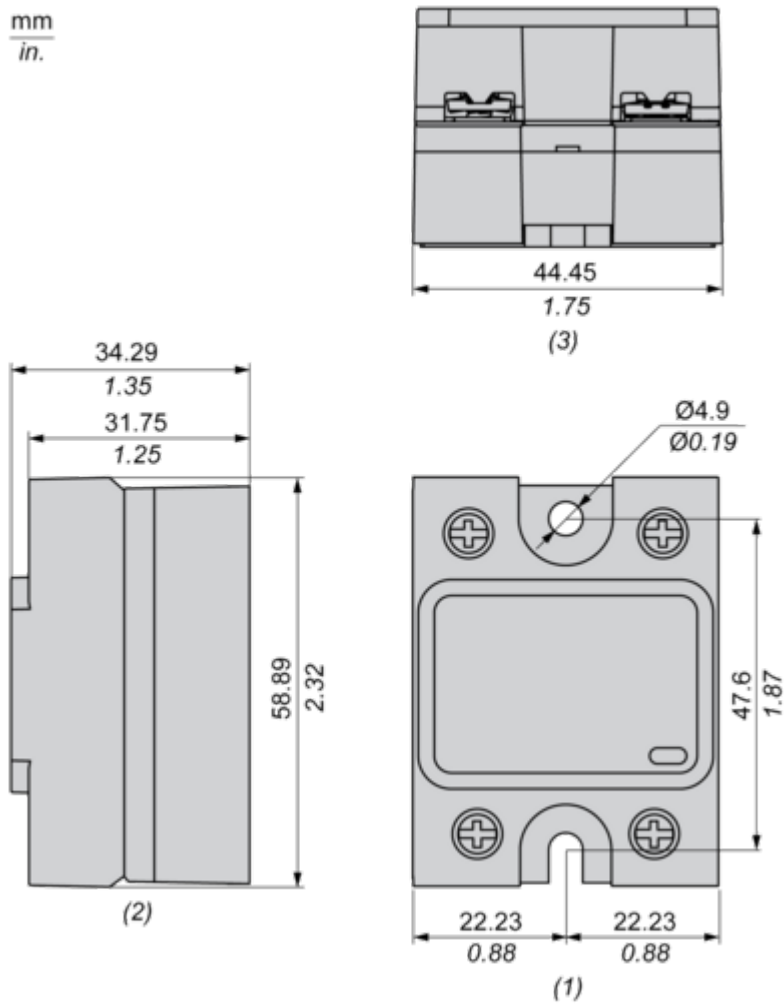
Environmental Disclosure [Product Environmental Profile](#)

Circularity Profile [End of Life Information](#)

Dimensions Drawings

Dimensions

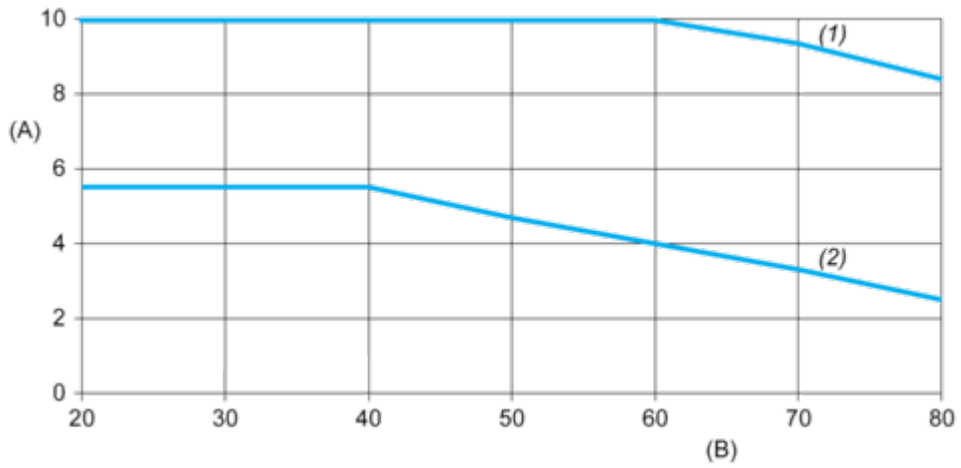
mm
in.



- (1) Front view
- (2) Side view
- (3) Bottom view

Performance Curves

Derating Curves



A : Load Current (Arms)
B : Ambient Temperature (°C)
(1) For Heatsink SSRHP25
(2) No Heatsink