

Product datasheet

Specifications



STBACI1400K. Standard analog input kit. 4-20 mA. 15 bits + sign

STBACI1400K

Price: 9,666.79 ZAR

Main

Range Of Product	Modicon STB distributed I/O solution
Product Or Component Type	Standard analog input kit
Kit Composition	STBXTS1100, 6-terminal screw type connector STBXTS2100, 6-terminal spring clamp connector STBACI1400 module STBXBA2000 base
Analogue Input Type	Current 0...20 mA Current 4...20 mA
Analogue Input Number	8
Analogue Input Resolution	15 bits + sign
Type Of Filter	Single low pass input filter 985 Hz

Complementary

Absolute Maximum Input	25 mA/50 V DC
Cold Swapping	Yes
Hot Swapping Fallback	Yes for standard NIMs
Fallback Status	State 0 basic NIMs User configurable standard NIMs
Data Format	EN 61131-2 IEC 61131-2
Update Time	22 ms
Integral Linearity	+/- 0.08 %FS
Differential Linearity	Monotonic
Input Impedance	<= 250 Ohm
Maximum Supply Current For Sensors	100 mA per input channels
Absolute Accuracy Error	+/- 0.4 % of full scale per °C
Temperature Drift	+/-0.005 %/°C
Insulation Between Channels And Logic Bus	1500 V for 1 minute
Insulation Between Channels And Sensor Bus	30 V
Addressing Requirement	16 input words
Product Compatibility	Power distribution module STBPDT3100/3105 Mounting base STBXBA2000
[Us] Rated Supply Voltage	24 V DC
Supply	Power distribution module

Excluding VAT and subject to change. Please check with your local distributor through "Where to buy"

Current Consumption	90 mA at 5 V DC for logic bus
Marking	CE
Overvoltage Category	II
Status Led	1 LED (green) module status (RDY)
Depth	70 mm
Height	18.4 mm
Width	128.3 mm

Environment

Product Certifications	FM Class 1 Division 2 CSA UL ATEX Cat 3G C-Tick
Pollution Degree	2 conforming to IEC 60664-1
Operating Altitude	<= 2000 m
Ip Degree Of Protection	IP20 conforming to IEC 61131-2 class 1
Ambient Air Temperature For Operation	-25...70 °C
Ambient Air Temperature For Operation	- 13...158 °F
Ambient Air Temperature For Storage	-40...85 °C without derating
Ambient Air Temperature For Storage	-40...185 °F without derating
Relative Humidity	95 % at 60 °C without condensation
Vibration Resistance	+/-0.35 mm at 10...58 Hz 3 gn at 58...150 Hz on 35 x 7.5 mm symmetrical DIN rail 5 gn at 58...150 Hz on 35 x 15 mm symmetrical DIN rail
Shock Resistance	30 gn for 11 ms conforming to IEC 88 reference 2-27

Packing Units

Unit Type Of Package 1	PCE
Number Of Units In Package 1	1
Package 1 Height	2.5 cm
Package 1 Width	8.0 cm
Package 1 Length	13.0 cm
Package 1 Weight	147.0 g
Unit Type Of Package 2	S02
Number Of Units In Package 2	28
Package 2 Height	15 cm
Package 2 Width	30 cm
Package 2 Length	40 cm
Package 2 Weight	4.542 kg
Unit Type Of Package 3	P06
Number Of Units In Package 3	448
Package 3 Height	75.0 cm

Package 3 Width	60.0 cm
-----------------	---------

Package 3 Length	80.0 cm
------------------	---------

Package 3 Weight	130 kg
------------------	--------

Contractual warranty

Warranty	18 months
----------	-----------

Sustainability

Green Premium™ label is Schneider Electric's commitment to delivering products with best-in-class environmental performance. Green Premium promises compliance with the latest regulations, transparency on environmental impacts, as well as circular and low-CO₂ products.

Guide to assessing product sustainability is a white paper that clarifies global eco-label standards and how to interpret environmental declarations.

[Learn more about Green Premium >](#)

[Guide to assess a product's sustainability >](#)

Well-being performance

 Mercury Free

 Rohs Exemption Information [Yes](#)

Reach Regulation [REACH Declaration](#)

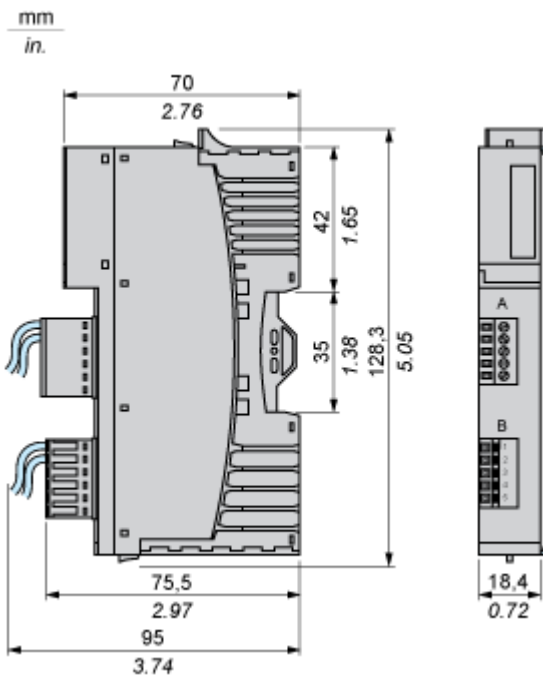
Eu Rohs Directive Pro-active compliance (Product out of EU RoHS legal scope)

China Rohs Regulation [China RoHS declaration](#)

Weee The product must be disposed on European Union markets following specific waste collection and never end up in rubbish bins

Dimensions Drawings

Dimensions

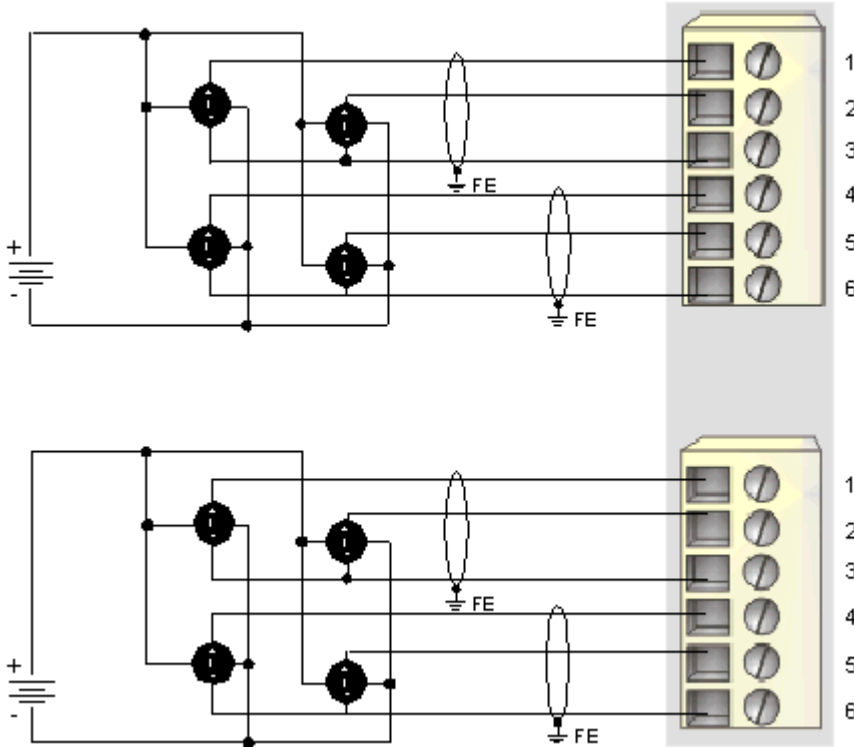


Connections and Schema

Wiring Diagram

Example

8 isolated analog sensors, external 24 VDC power supply



Pin	Top Connections	Bottom Connections
1	current in 1	current in 5
2	current in 2	current in 6
3	return	return
4	current in 3	current in 7
5	current in 4	current in 8
6	return	return