

Product datasheet

Specifications



standard digital output kit STB - 115 V AC - 2 O

STBDAO5260K

Price: 2,125.34 ZAR

Main

| | |
|------------------------------|--|
| Range Of Product | Modicon STB distributed I/O solution |
| Product Or Component Type | Standard digital output kit |
| Kit Composition | STBXBA2000 base STBDAO5260 module STBXTS1100, 5-terminal screw type connector STBXTS2110, 5-terminal spring clamp connector |
| Discrete Output Number | 2 |
| Discrete Output Type | Triac |
| Discrete Output Voltage | 115 V |
| Discrete Output Voltage Type | AC |

Complementary

| | |
|---|--|
| Discrete Output Current | 1000 mA 60 °C 2000 mA 30 °C |
| Discrete Output Logic | Positive or negative |
| Output Voltage | 74...132 V AC |
| Absolute Maximum Voltage | 132 V |
| Response Time | 10 ms off-to-on 10 ms on-to-off |
| Cold Swapping | Yes |
| Hot Swapping | Yes for standard NIMs |
| Fallback | State 0 basic NIMs User configurable standard NIMs |
| Protection Type | Output surge protection external fuse 5 A |
| Insulation Between Channels | 1780 V for 1 minute |
| Insulation Between Channels And Logic Bus | 1780 V for 1 minute |
| Maximum Leakage Current | 2 mA at state 0 132 V |
| Surge Current | 20 A 40 ms 30 A 20 ms |
| Minimum Load | 1 mA |
| Reset | Manual or automatic reset COM fault |
| Product Compatibility | Power distribution module STBPDT2100/2105 I/O base STBXBA2000 |
| Supply | Power distribution module |
| Current Consumption | 70 mA at 5 V DC for logic bus |

Excluding VAT and subject to change. Please check with your local distributor through "Where to buy"

| | |
|----------------------|--|
| Marking | CE |
| Overvoltage Category | II |
| Status Led | 1 LED (green) module status (RDY) 1 LED per channel (green) channel status (OUT1 to OUT2) 1 LED (red) module error (ERR) |
| Height | 18.4 mm |
| Depth | 70 mm |
| Width | 128.3 mm |
| Net Weight | 0.067 kg |

Environment

| | |
|---------------------------------------|---|
| Standards | IEC 61131-2 |
| Product Certifications | CSA UL FM Class 1 Division 2 |
| Pollution Degree | 2 conforming to IEC 60664-1 |
| Operating Altitude | <= 2000 m |
| Ip Degree Of Protection | IP20 conforming to IEC 61131-2 class 1 |
| Ambient Air Temperature For Operation | 0...60 °C (without derating) |
| Ambient Air Temperature For Operation | 32...140 °F without derating |
| Ambient Air Temperature For Storage | -40...85 °C without derating |
| Ambient Air Temperature For Storage | -40...185 °F without derating |
| Relative Humidity | 95 % at 60 °C without condensation |
| Vibration Resistance | 3 gn at 58...150 Hz on 35 x 7.5 mm symmetrical DIN rail 5 gn at 58...150 Hz on 35 x 15 mm symmetrical DIN rail +/-0.35 mm at 10...58 Hz |
| Shock Resistance | 30 gn for 11 ms conforming to IEC 88 reference 2-27 |

Packing Units

| | |
|------------------------------|---------|
| Unit Type Of Package 1 | PCE |
| Number Of Units In Package 1 | 1 |
| Package 1 Height | 2.7 cm |
| Package 1 Width | 8 cm |
| Package 1 Length | 13 cm |
| Package 1 Weight | 143 g |
| Unit Type Of Package 2 | S02 |
| Number Of Units In Package 2 | 28 |
| Package 2 Height | 15 cm |
| Package 2 Width | 30 cm |
| Package 2 Length | 40 cm |
| Package 2 Weight | 4.43 kg |

Contractual warranty

| | |
|----------|-----------|
| Warranty | 18 months |
|----------|-----------|

Sustainability


Green Premium™ label is Schneider Electric's commitment to delivering products with best-in-class environmental performance. Green Premium promises compliance with the latest regulations, transparency on environmental impacts, as well as circular and low-CO₂ products.

Guide to assessing product sustainability is a white paper that clarifies global eco-label standards and how to interpret environmental declarations.

[Learn more about Green Premium >](#)

[Guide to assess a product's sustainability >](#)

Well-being performance

 Mercury Free

 Rohs Exemption Information [Yes](#)

Reach Regulation [REACH Declaration](#)

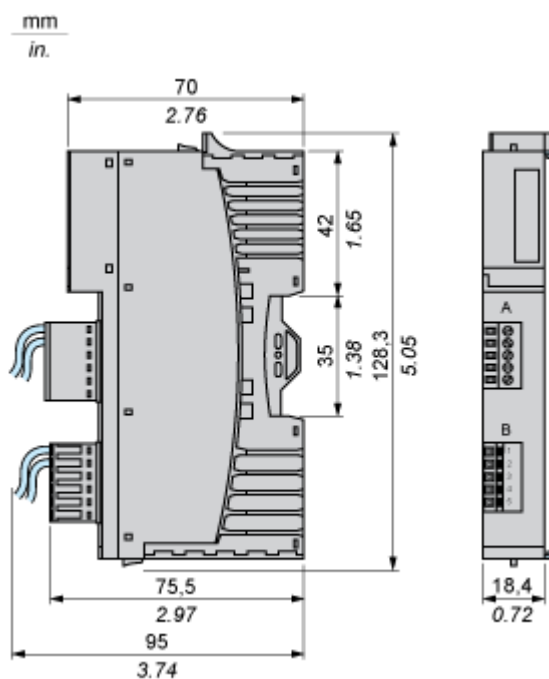
Eu Rohs Directive Pro-active compliance (Product out of EU RoHS legal scope)

China Rohs Regulation [China RoHS declaration](#)

Weee The product must be disposed on European Union markets following specific waste collection and never end up in rubbish bins

Dimensions Drawings

Dimensions

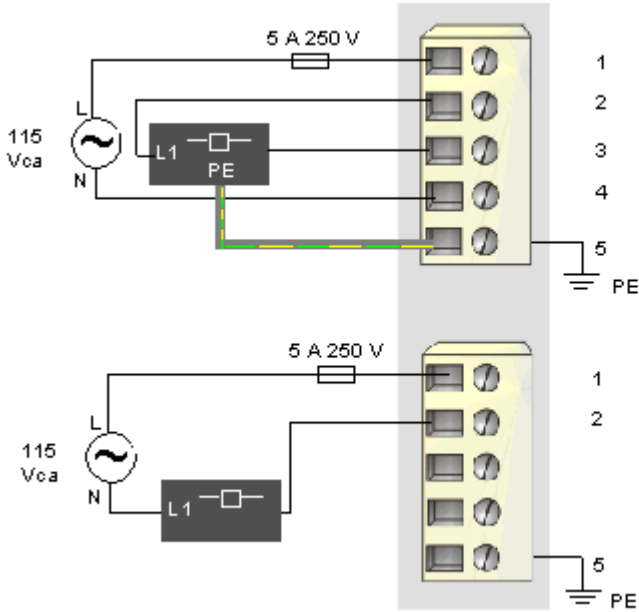


Connections and Schema

Wiring Diagram

Example

2 two-wire actuators



| Pin | Top Connector | Bottom Connector |
|-----|--|--|
| 1 | 115 VAC source power 1 (to the module) | 115 VAC source power 2 (to the module) |
| 2 | output to actuator 1 | output to actuator 2 |
| 3 | output neutral 1 | output neutral 2 |
| 4 | field power neutral 1 (to the module) | field power neutral 2 (to the module) |
| 5 | protective earth | protective earth |