

# Product datasheet

Specifications



## standard digital output kit - Modicon STB - 115..230 V AC - 2 O

STBDAO8210K

**Price: 1,720.72 ZAR**

### Main

<b>Range Of Product</b>	Modicon STB distributed I/O solution
<b>Product Or Component Type</b>	Standard digital output kit
<b>Kit Composition</b>	STBXTS1100, 5-terminal screw type connector STBDAO8210 module STBXTS2110, 5-terminal spring clamp connector STBXBA2000 base
<b>Discrete Output Number</b>	2
<b>Discrete Output Type</b>	Triac
<b>Discrete Output Voltage</b>	115...230 V
<b>Discrete Output Voltage Type</b>	AC

### Complementary

<b>Discrete Output Current</b>	1000 mA 60 °C 2000 mA 30 °C
<b>Discrete Output Logic</b>	Positive or negative
<b>Output Voltage</b>	20...265 V AC
<b>Absolute Maximum Voltage</b>	300 V 10 s 400 V 20 ms
<b>Response Time</b>	10 ms off-to-on 10.5 ms on-to-off
<b>Cold Swapping</b>	Yes
<b>Hot Swapping</b>	Yes for standard NIMs
<b>Fallback</b>	State 0 basic NIMs User configurable standard NIMs
<b>Protection Type</b>	Output surge protection varistance and RC circuit
<b>Insulation Between Channels And Logic Bus</b>	1780 V for 1 minute
<b>Maximum Leakage Current</b>	2 mA at state 0 115 V 2.5 mA at state 0 230 V
<b>Surge Current</b>	20 A 40 ms 30 A 20 ms
<b>Minimum Load</b>	5 mA
<b>Reset</b>	Manual or automatic reset COM fault
<b>Product Compatibility</b>	I/O base STBXBA2000 Power distribution module STBPDT2100/2105
<b>Supply</b>	Power distribution module
<b>Current Consumption</b>	45 mA at 5 V DC for logic bus

Excluding VAT and subject to change. Please check with your local distributor through "Where to buy"

Marking	CE
Overvoltage Category	II
Status Led	1 LED (green) module status (RDY) 1 LED per channel (green) channel status (OUT1 to OUT2) 1 LED (red) module error (ERR)
Height	18.4 mm
Depth	70 mm
Width	128.3 mm
Net Weight	0.125 kg

## Environment

Standards	IEC 61131-2
Product Certifications	UL CSA FM Class 1 Division 2
Pollution Degree	2 conforming to IEC 60664-1
Operating Altitude	<= 2000 m
Ip Degree Of Protection	IP20 conforming to IEC 61131-2 class 1
Ambient Air Temperature For Operation	0...60 °C (without derating)
Ambient Air Temperature For Operation	32...140 °F without derating
Ambient Air Temperature For Storage	-40...85 °C without derating
Ambient Air Temperature For Storage	-40...185 °F without derating
Relative Humidity	95 % at 60 °C without condensation
Vibration Resistance	3 gn at 58...150 Hz on 35 x 7.5 mm symmetrical DIN rail 5 gn at 58...150 Hz on 35 x 15 mm symmetrical DIN rail +/-0.35 mm at 10...58 Hz
Shock Resistance	30 gn for 11 ms conforming to IEC 88 reference 2-27

## Packing Units

Unit Type Of Package 1	PCE
Number Of Units In Package 1	1
Package 1 Height	2.7 cm
Package 1 Width	8.0 cm
Package 1 Length	13.0 cm
Package 1 Weight	142.0 g
Unit Type Of Package 2	S02
Number Of Units In Package 2	28
Package 2 Height	15.0 cm
Package 2 Width	30.0 cm
Package 2 Length	40.0 cm
Package 2 Weight	3.976 kg
Unit Type Of Package 3	PAL
Number Of Units In Package 3	448

---

<b>Package 3 Height</b>	60.0 cm
<b>Package 3 Width</b>	80.0 cm
<b>Package 3 Length</b>	448.0 cm
<b>Package 3 Weight</b>	63.616 kg

---

## **Contractual warranty**

---

<b>Warranty</b>	18 months
-----------------	-----------

## Sustainability


**Green Premium™ label** is Schneider Electric's commitment to delivering products with best-in-class environmental performance. Green Premium promises compliance with the latest regulations, transparency on environmental impacts, as well as circular and low-CO<sub>2</sub> products.

**Guide to assessing product sustainability** is a white paper that clarifies global eco-label standards and how to interpret environmental declarations.

[Learn more about Green Premium >](#)

[Guide to assess a product's sustainability >](#)

## Well-being performance

 Mercury Free

 Rohs Exemption Information [Yes](#)

**Reach Regulation** [REACH Declaration](#)

**Eu Rohs Directive** Pro-active compliance (Product out of EU RoHS legal scope)

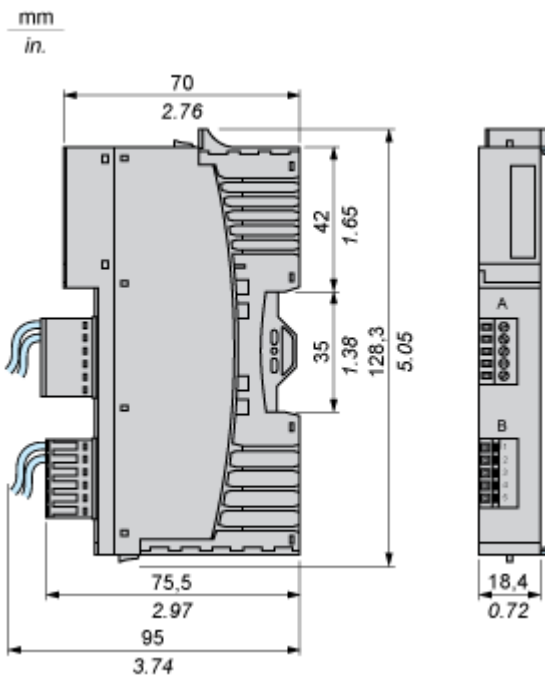
**China Rohs Regulation** [China RoHS declaration](#)

**Weee** The product must be disposed on European Union markets following specific waste collection and never end up in rubbish bins

Dimensions Drawings

Dimensions

---

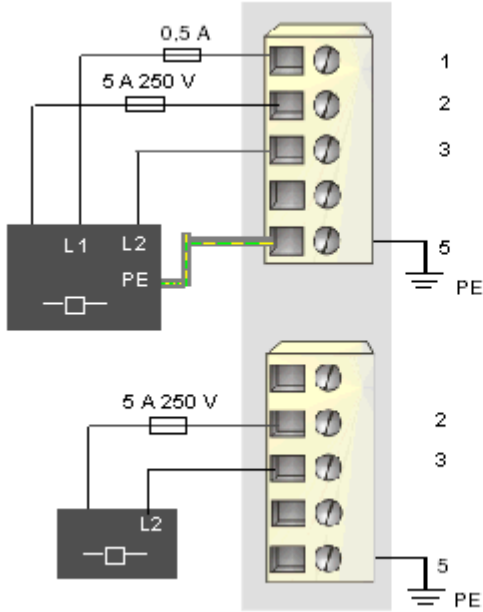


Connections and Schema

Wiring Diagram

Example

1 three-wire actuator and 1 two-wire actuator



Pin	Top Connector	Bottom Connector
1	actuator bus power (L1)	actuator bus power (L1)
2	output to actuator 1 (common with L1)	output to actuator 2 (common with L1)
3	field power neutral or L2	field power neutral or L2
4	field power neutral or L2	field power neutral or L2
5	protective earth	protective earth