

Product datasheet

Specifications



Profibus DP V1 remote master - for Premium/Quantum/M340/M580 PLC - coated

TCSEGPA23F14FK

Price: 43,018.90 ZAR

Main

Range Of Product	Profibus DP
Product Or Component Type	Profibus DP V1 remote master
Kit Composition	CD including the communication DTM CD including the Master DTM for PRM configuration inside UNITY
Communication Gateway	Ethernet Modbus TCP to Profibus DP V1 gateway
Product Compatibility	M580 PLC Premium PLC M340 PLC Quantum PLC
Structure Type	Industrial bus

Complementary

Physical Interface	RS485
Method Of Access	Master class 1 Profibus DP Master class 2 Profibus DP Slave Modbus TCP
Mode Of Transmission	NRZ
Transmission Support Medium	Profibus 2 twisted shielded pairs cable Modbus TCP category 5 shielded twisted pair (STP)
Transmission Rate	12 Mbit/s, 100 m bus for Profibus without repeater 12 Mbit/s, 400 m bus for Profibus with 3 repeaters 9.6 kbit/s, 1200 m bus for Profibus without repeater 9.6 kbit/s, 4800 m bus for Profibus with 3 repeaters 10...100 Mbit/s, 100 m bus for Modbus TCP without repeater
Number Of Server Device(S)	126
Number Of Inputs	2
Number Of Outputs	2
Communication Service	Check slave configuration (on power up) class 1 master Manage monitoring request (Global CONTROL and Get Master Diag) class 2 master No master/master dialogue class 2 master Profibus FMS message handling not supported class 1 master Profibus FMS message handling not supported class 2 master Read/write DP slave I/O data class 1 master Set slave parameters (on power up) class 1 master Transfer slave diagnostic data class 1 master Sync and freeze class 1 master Acyclic DP V1 communication (R/W) class 1/2 master
Integrated Connection Type	2 Ethernet TCP/IP - RJ45 for Modbus TCP Profibus DP - SUB-D 9 for Profibus DP V1
Current Consumption	200 mA at 24 V DC external
Module Format	Standard
Net Weight	0.62 kg

Excluding VAT and subject to change. Please check with your local distributor through "Where to buy"

Environment

Ambient Air Temperature For Operation	-25...70 °C
Ambient Air Temperature For Storage	-45...85 °C
Relative Humidity	10...95 % without condensation
Operating Altitude	<= 2000 m
Protective Treatment	Conformal coating Humiseal 1A33

Packing Units

Unit Type Of Package 1	PCE
Number Of Units In Package 1	1
Package 1 Height	5.700 cm
Package 1 Width	17.900 cm
Package 1 Length	26.300 cm
Package 1 Weight	646.000 g
Unit Type Of Package 2	S03
Number Of Units In Package 2	8
Package 2 Height	30.000 cm
Package 2 Width	30.000 cm
Package 2 Length	40.000 cm
Package 2 Weight	5.730 kg

Contractual warranty

Warranty	18 months
----------	-----------

Sustainability


Green Premium™ label is Schneider Electric's commitment to delivering products with best-in-class environmental performance. Green Premium promises compliance with the latest regulations, transparency on environmental impacts, as well as circular and low-CO₂ products.

Guide to assessing product sustainability is a white paper that clarifies global eco-label standards and how to interpret environmental declarations.

[Learn more about Green Premium >](#)

[Guide to assess a product's sustainability >](#)

Well-being performance

 Mercury Free

 Rohs Exemption Information [Yes](#)

Eu Rohs Directive Pro-active compliance (Product out of EU RoHS legal scope)

China Rohs Regulation [China RoHS declaration](#)

Weee The product must be disposed on European Union markets following specific waste collection and never end up in rubbish bins

Mounting and Clearance

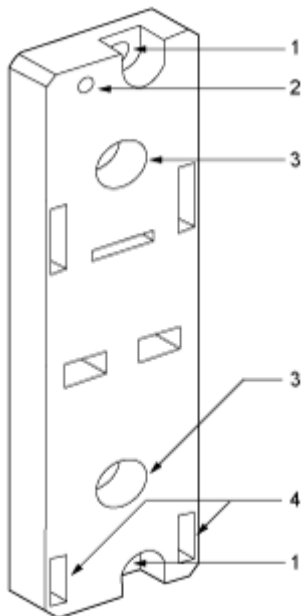
Module Mounting

At a glance

The PRM module can be installed either:

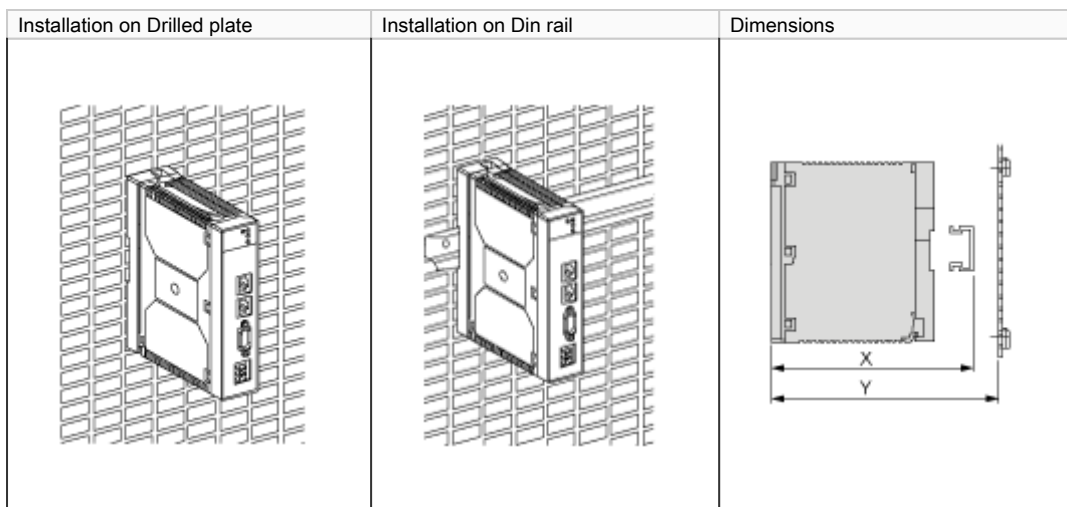
- With its support plate as a standalone module on a DIN rail, grid or panel
- Without its support plate as a Premium module inside the rack

Support Plate



Label	Meaning
1	Two holes diameter 5.5 mm (7/32 in) allowing the support plate to be fixed to a panel or to an AM1-PA pre-slotted plate, with a center distance of 140 mm (5.51 in). Tightening torque: 1 to 1.2 N-m (8.8 to 10.6 lb-in).
2	M4 fixing hole for securing the PRM module.
3	Two holes diameter 6.5 mm (0.26 in) allowing the support plate to be fixed to a panel or to an AM1-PA pre-slotted plate with a center distance of 88.9 mm (3.5 in).
4	Slots for positioning the pins located at the bottom and rear of the module

Mounting on a DIN rail or Plate



Mounting Type		Dimensions			
		X		Y	
		mm	in.	mm	in.
Drilled Plate	(AM1-PA)			132.7	5.22
Din Rail	(AM1-DE200)	143.7	5.66		
Din Rail	(AM1-DP200)	136.2	5.36		

Mounting on a Premium Rack

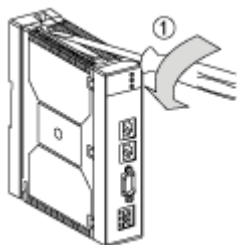
Mechanically, the PRM is mounted like other Premium modules. The support plate must be removed before mounting in this case.

Electrically, the PRM doesn't use the rack connector for communication or for power supply. It must be powered by an external power supply.

To detach the module from its support plate, follow the steps below:

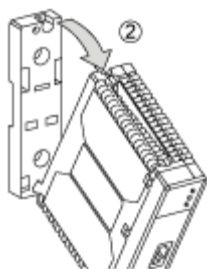
Step 1:

Unfasten the screw located in the top of the module to loosen it from its support.



Step 2:

Pivot the module forwards and disengage the pins from the holes located in the bottom of the support.



Refer to the Premium documentation for a description of the installation on the rack.