

# Product datasheet

Specifications



## Parallel interface module. Modicon TM3. 4 Tesys motors

TM3XTYS4

**Price: 3,108.90 ZAR**

### Main

Range Of Product	Modicon TM3
Product Or Component Type	Parallel interface module
Product Specific Application	TeSys U
Range Compatibility	Modicon M221 Modicon M251 Modicon M241 Modicon M262
[Us] Rated Supply Voltage	24 V DC by external supply (- 15...20 %)
Number Of Input Channels	12
Number Of Output Channels	8

### Complementary

Current Consumption	5 mA at 5 V DC via bus connector at state on 35 mA at 5 V DC via bus connector at state off 0 mA at 24 V DC via bus connector at state on 10 mA at 24 V DC via bus connector at state off 1200 mA at 24 V DC external power supply at state on
Input Voltage Limits	19.2...28.8 V per input
Input Current Limits	5 mA per input
Response Time	< 10 ms turn-on for input < 10 ms turn-off for input
Output Voltage	24 V DC for transistor output
Maximum Load Current	800 mA per channel in starting mode during 100 ms 300 mA per channel in normal mode
Insulation	Between the RJ45 connectors and internal logic at 500 V AC Non-insulated between RJ45 connectors
Output Protection Type	Against overload, protection technology: current limiter
Reset	Automatic reset
Local Signalling	3 LEDs green for input status per channel 2 LEDs green for output status per channel
Electrical Connection	3 x 2.5 mm <sup>2</sup> removable screw terminal block with pitch 5.08 mm adjustment for connecting the 24 V DC power supply 4 RJ45 connectors for connecting the motor starters
Mounting Support	Top hat type TH35-15 rail conforming to IEC 60715 Top hat type TH35-7.5 rail conforming to IEC 60715 plate or panel with fixing kit
Height	90 mm
Depth	85 mm
Width	30 mm

Excluding VAT and subject to change. Please check with your local distributor through "Where to buy"

---

Net Weight	0.115 kg
------------	----------

## Environment

---

Product Certifications	CE cULus UKCA RCM EAC
------------------------	-----------------------------------

---

Marking	CE
---------	----

---

Resistance To Electrostatic Discharge	8 kV in air conforming to EN/IEC 61000-4-2 4 kV on contact conforming to EN/IEC 61000-4-2
---------------------------------------	--

---

Resistance To Electromagnetic Fields	10 V/m 80 MHz...1 GHz conforming to EN/IEC 61000-4-3 3 V/m 1.4 GHz...2 GHz conforming to EN/IEC 61000-4-3 1 V/m 2 GHz...3 GHz conforming to EN/IEC 61000-4-3
--------------------------------------	--

---

Resistance To Magnetic Fields	30 A/m 50/60 Hz conforming to EN/IEC 61000-4-8
-------------------------------	--

---

Resistance To Fast Transients	1 kV for input conforming to EN/IEC 61000-4-4 1 kV for output conforming to EN/IEC 61000-4-4
-------------------------------	---

---

Surge Withstand	1 kV input common mode conforming to EN/IEC 61000-4-5 1 kV output common mode conforming to EN/IEC 61000-4-5
-----------------	---

---

Resistance To Conducted Disturbances	10 V 0.15...80 MHz conforming to EN/IEC 61000-4-6 3 V spot frequency (2, 3, 4, 6.2, 8.2, 12.6, 16.5, 18.8, 22, 25 MHz) conforming to Marine specification (LR, ABS, DNV, GL)
--------------------------------------	---

---

Electromagnetic Emission	Radiated emissions - test level: 40 dB $\mu$ V/m QP class A ( 10 m) at 30...230 MHz conforming to EN/IEC 55011 Radiated emissions - test level: 47 dB $\mu$ V/m QP class A ( 10 m) at 230...1000 MHz conforming to EN/IEC 55011
--------------------------	--

---

Ambient Air Temperature For Operation	-10...35 °C vertical installation -10...55 °C horizontal installation
---------------------------------------	--

---

Ambient Air Temperature For Storage	-25...70 °C
-------------------------------------	-------------

---

Relative Humidity	10...95 %, without condensation (in operation) 10...95 %, without condensation (in storage)
-------------------	--

---

IP Degree Of Protection	IP20 with protective cover in place
-------------------------	-------------------------------------

---

Pollution Degree	2
------------------	---

---

Operating Altitude	0...2000 m
--------------------	------------

---

Storage Altitude	0...3000 m
------------------	------------

---

Vibration Resistance	3.5 mm at 5...8.4 Hz on DIN rail 3 gn at 8.4...150 Hz on DIN rail 3.5 mm at 5...8.4 Hz on panel 3 gn at 8.4...150 Hz on panel
----------------------	--

---

Shock Resistance	15 gn for 11 ms
------------------	-----------------

## Packing Units

---

Unit Type Of Package 1	PCE
------------------------	-----

---

Number Of Units In Package 1	1
------------------------------	---

---

Package 1 Height	7.5 cm
------------------	--------

---

Package 1 Width	10.5 cm
-----------------	---------

---

Package 1 Length	12.5 cm
------------------	---------

---

Package 1 Weight	220.0 g
------------------	---------

---

Unit Type Of Package 2	S04
------------------------	-----

---

Number Of Units In Package 2	42
------------------------------	----

<b>Package 2 Height</b>	30 cm
<b>Package 2 Width</b>	40 cm
<b>Package 2 Length</b>	60 cm
<b>Package 2 Weight</b>	9.462 kg
<b>Unit Type Of Package 3</b>	P12
<b>Number Of Units In Package 3</b>	504
<b>Package 3 Height</b>	105 cm
<b>Package 3 Width</b>	120 cm
<b>Package 3 Length</b>	80 cm
<b>Package 3 Weight</b>	62.296 kg

## Sustainability

**Green Premium™ label** is Schneider Electric's commitment to delivering products with best-in-class environmental performance. Green Premium promises compliance with the latest regulations, transparency on environmental impacts, as well as circular and low-CO<sub>2</sub> products.

**Guide to assessing product sustainability** is a white paper that clarifies global eco-label standards and how to interpret environmental declarations.

[Learn more about Green Premium >](#)

[Guide to assess a product's sustainability >](#)



Transparency RoHS/REACH

## Well-being performance

Toxic Heavy Metal Free

Mercury Free

Rohs Exemption Information Yes

Pvc Free

## Certifications & Standards

**Reach Regulation**

[REACH Declaration](#)

**Eu Rohs Directive**

Pro-active compliance (Product out of EU RoHS legal scope)

[EU RoHS Declaration](#)

**China Rohs Regulation**

[China RoHS declaration](#)

**Environmental Disclosure**

[Product Environmental Profile](#)

**Weee**

The product must be disposed on European Union markets following specific waste collection and never end up in rubbish bins

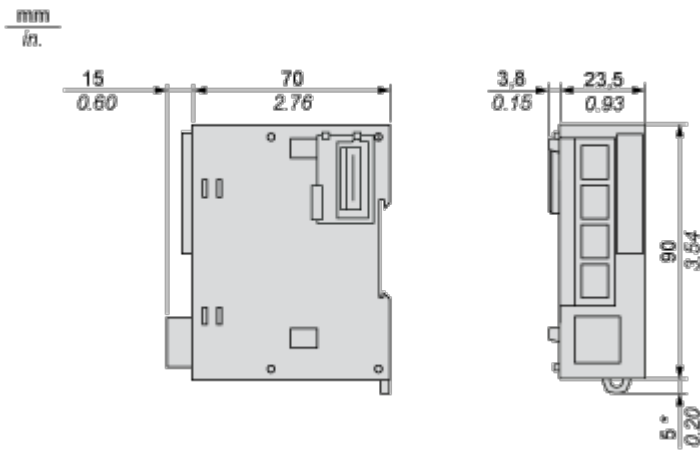
**Circularity Profile**

[End of Life Information](#)

Dimensions Drawings

Dimensions

---

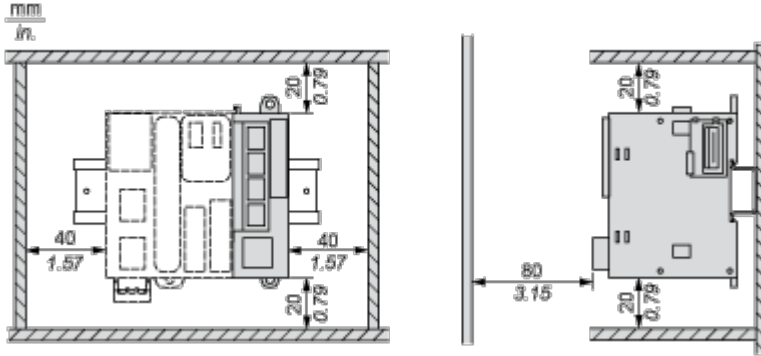


(\*) 8.5 mm/0.33 in when the clamp is pulled out.

Mounting and Clearance

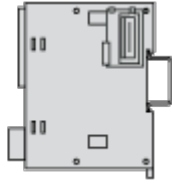
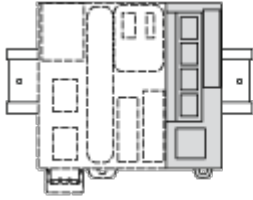
Spacing Requirements

---

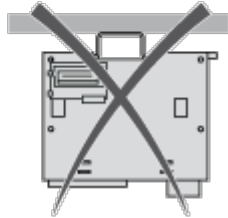
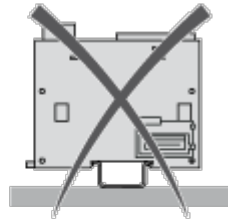
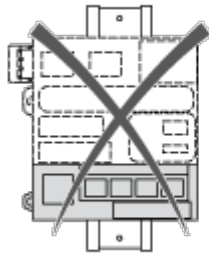


**Mounting on a Rail**

---

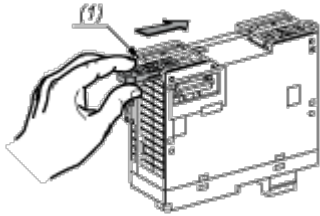


**Incorrect Mounting**



**Mounting on a Panel Surface**

---



- (1) Install a mounting strip

**Mounting Hole Layout**

