

Product datasheet

Specifications



additional EMC filter - 15 A - 3 PH

VW3A4422

Price: 2,129.51 ZAR

Main

Range Of Product	Altivar Lexium
Product Or Component Type	EMC input filter
Range Compatibility	Altivar 32 Altivar Machine ATV340 Lexium 32 Altivar Machine ATV320 Lexium 28 Lexium 52
Product Compatibility	LXM28A ATV32, 380...500 V, 0.37...1.5 kW LXM32, three-phase, line current 1.2...8.7 A Variable speed drive ATV320...B at 0.37 kW, 380...500 V, three phase Variable speed drive ATV320...B at 0.55 kW, 380...500 V, three phase Variable speed drive ATV320...B at 0.75 kW, 380...500 V, three phase Variable speed drive ATV320...B at 1.1 kW, 380...500 V, three phase Variable speed drive ATV320...B at 1.5 kW, 380...500 V, three phase Variable speed drive ATV320...B at 2.2 kW, 380...500 V, three phase Variable speed drive ATV320...B at 3 kW, 380...500 V, three phase Variable speed drive ATV320...B at 4 kW, 380...500 V, three phase Variable speed drive ATV340 at 0.75 kW, 380...480 V Variable speed drive ATV340 at 1.5 kW, 380...480 V
Product Specific Application	Radio interference input filter
Mounting Location	At variable speed drive side
Network Number Of Phases	Three phase

Complementary

Maximum Cable Distance Between Devices	20 m conforming to IEC 61800-3 category C1 50 m conforming to IEC 61800-3 category C2 100 m conforming to IEC 61800-3 category C3
[In] Rated Current	15 A
Thermal Losses	9.9 W
Network Rated Voltage	380...500 V
Tolerance	- 15...10 %
Net Weight	0.9 kg
Emc Filter Compatibility	Type 022

Packing Units

Unit Type Of Package 1	PCE
Number Of Units In Package 1	1
Package 1 Height	5.200 cm

Excluding VAT and subject to change. Please check with your local distributor through "Where to buy"

Package 1 Width	15.800 cm
Package 1 Length	23.200 cm
Package 1 Weight	936.000 g
Unit Type Of Package 2	P06
Number Of Units In Package 2	80
Package 2 Height	75.000 cm
Package 2 Width	60.000 cm
Package 2 Length	80.000 cm
Package 2 Weight	87.400 kg

Contractual warranty

Warranty	18 months
----------	-----------

Sustainability

Green Premium™ label is Schneider Electric's commitment to delivering products with best-in-class environmental performance. Green Premium promises compliance with the latest regulations, transparency on environmental impacts, as well as circular and low-CO₂ products.

Guide to assessing product sustainability is a white paper that clarifies global eco-label standards and how to interpret environmental declarations.

[Learn more about Green Premium >](#)

[Guide to assess a product's sustainability >](#)

Well-being performance

✓ Reach Free Of Svhc

✓ Toxic Heavy Metal Free

✓ Mercury Free

✓ Rohs Exemption Information [Yes](#)

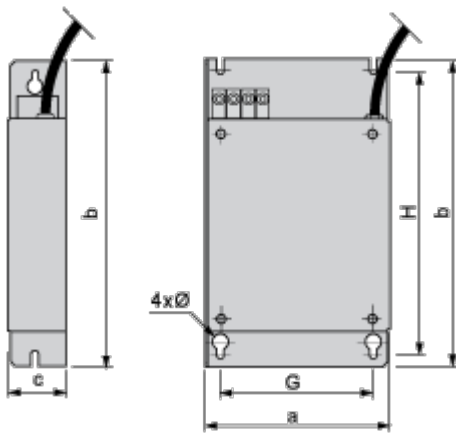
Reach Regulation [REACH Declaration](#)

Eu Rohs Directive Pro-active compliance (Product out of EU RoHS legal scope)
[EU RoHS Declaration](#)

China Rohs Regulation [China RoHS declaration](#)

Dimensions Drawings

Additional EMC Input Filters



Dimensions in mm

a	b	c	G	H	Ø
107	195	42	85	180	4.5

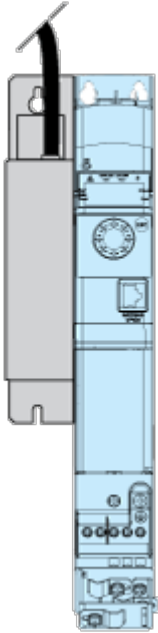
Dimensions in in.

a	b	c	G	H	Ø
4.21	7.68	1.65	3.35	7.09	0.18

Mounting and Clearance

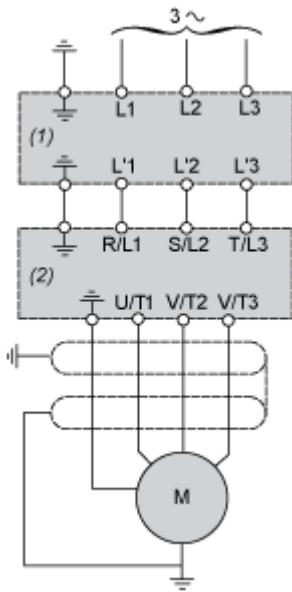
Mounting Recommendations

Mounting the Filter on the Side of the Drive



Connections and Schema

Recommended Schema



- (1) Filter
- (2) Drive