

# Product datasheet

Specifications



## passive filter - 10 A - 400 V - 50 Hz - for variable speed drive

VW3A46121

**Price: 61,351.35 ZAR**

### Main

<b>Product Or Component Type</b>	Passive filter
<b>Product Specific Application</b>	Reduction of current harmonics

### Complementary

<b>Range Compatibility</b>	Altivar Process ATV900 Altivar 71 Altivar Process ATV600 Altivar 61
<b>[Us] Rated Supply Voltage</b>	400 V +/- 10 %
<b>Power Supply Frequency</b>	50 Hz +/- 2 %
<b>Quantity Per Drive</b>	1 filter per drive for variable speed drive ATV61W motor: 4 kW/5 hp 1 filter per drive for variable speed drive ATV61W motor: 5.5 kW/7.5 hp 1 filter per drive for variable speed drive ATV61H motor: 4 kW/5 hp 1 filter per drive for variable speed drive ATV61H motor: 5.5 kW/7.5 hp 1 filter per drive for variable speed drive ATV71H motor: 4 kW/5 hp 1 filter per drive for variable speed drive ATV71H motor: 5.5 kW/7.5 hp 1 filter per drive for variable speed drive ATV71P motor: 4 kW/5 hp 1 filter per drive for variable speed drive ATV71P motor: 5.5 kW/7.5 hp 1 filter per drive for variable speed drive ATV71W motor: 4 kW/5 hp 1 filter per drive for variable speed drive ATV71W motor: 5.5 kW/7.5 hp 1 filter per drive for variable speed drive ATV630 wall mount, motor: 4 kW/5 hp 1 filter per drive for variable speed drive ATV630 wall mount, motor: 5.5 kW/7.5 hp 1 filter per drive for variable speed drive ATV650 wall mount, motor: 4 kW/5 hp 1 filter per drive for variable speed drive ATV650 wall mount, motor: 5.5 kW/7.5 hp 1 filter per drive for variable speed drive ATV930 wall mount, motor: 4 kW/5 hp 1 filter per drive for variable speed drive ATV930 wall mount, motor: 5.5 kW/7.5 hp 1 filter per drive for variable speed drive ATV950 wall mount, motor: 4 kW/5 hp 1 filter per drive for variable speed drive ATV950 wall mount, motor: 5.5 kW/7.5 hp
<b>[In] Rated Current</b>	10 A for input 10.4 A for output
<b>Network Number Of Phases</b>	3 phases
<b>Thdi</b>	10 % for variable speed drive ATV61H motor: 4 kW/5 hp 10 % for variable speed drive ATV61H motor: 5.5 kW/7.5 hp 10 % for variable speed drive ATV71H motor: 4 kW/5 hp 10 % for variable speed drive ATV71H motor: 5.5 kW/7.5 hp 10 % for variable speed drive ATV71P motor: 4 kW/5 hp 10 % for variable speed drive ATV71P motor: 5.5 kW/7.5 hp 10 % for variable speed drive ATV71W motor: 4 kW/5 hp 10 % for variable speed drive ATV71W motor: 5.5 kW/7.5 hp 5 % for variable speed drive ATV61W motor: 4 kW/5 hp 5 % for variable speed drive ATV61W motor: 5.5 kW/7.5 hp 5 % for variable speed drive ATV630 motor: 4 kW/5 hp 5 % for variable speed drive ATV630 motor: 5.5 kW/7.5 hp 5 % for variable speed drive ATV650 motor: 4 kW/5 hp 5 % for variable speed drive ATV650 motor: 5.5 kW/7.5 hp 5 % for variable speed drive ATV930 motor: 4 kW/5 hp 5 % for variable speed drive ATV930 motor: 5.5 kW/7.5 hp 5 % for variable speed drive ATV950 motor: 4 kW/5 hp 5 % for variable speed drive ATV950 motor: 5.5 kW/7.5 hp
<b>Max Current</b>	1.5 x nominal current (duration = 60 s)

Excluding VAT and subject to change. Please check with your local distributor through "Where to buy"

<b>Efficiency</b>	98 %
<b>Thermal Losses</b>	131 W
<b>Cos Phi</b>	1 (150 % of line current) 0.85 (75 % of line current) 0.99 (100 % of line current)
<b>Electrical Connection</b>	X1-1...X2-3 terminal, connection capacity: 0.5...10 mm <sup>2</sup> A, B terminal, connection capacity: 2.5 mm <sup>2</sup>
<b>Electrical Insulation Class</b>	Class F
<b>Net Weight</b>	18 kg

## Environment

<b>Ip Degree Of Protection</b>	IP20 IP55 (enclosure mounting)
<b>Vibration Resistance</b>	2 mm peak to peak (f= 5...13.2 Hz) conforming to IEC 60068-2-6 0.7 gn (f= 13.2...150 Hz) conforming to IEC 60068-2-6
<b>Relative Humidity</b>	5...85 % without condensation
<b>Ambient Air Temperature For Operation</b>	45...60 °C (with current derating 3 % per °C) 5...45 °C (without current derating)
<b>Ambient Air Temperature For Storage</b>	-25...55 °C storage in original packaging -25...65 °C during transport
<b>Operating Altitude</b>	<= 1000 m without current derating > 1000...4000 m with current derating 5 % per 1000 m
<b>Standards</b>	IEC 61000-2-2 IEC 61000-3-4 IEC 61000-3-12 IEC 61000-2-4 IEC 61000-3-2 G5/4 engineering recommendation

## Packing Units

<b>Unit Type Of Package 1</b>	PCE
<b>Number Of Units In Package 1</b>	1
<b>Package 1 Height</b>	56.0 cm
<b>Package 1 Width</b>	40.0 cm
<b>Package 1 Length</b>	60.0 cm
<b>Package 1 Weight</b>	28.0 kg

## Sustainability

**Green Premium™ label** is Schneider Electric's commitment to delivering products with best-in-class environmental performance. Green Premium promises compliance with the latest regulations, transparency on environmental impacts, as well as circular and low-CO<sub>2</sub> products.

**Guide to assessing product sustainability** is a white paper that clarifies global eco-label standards and how to interpret environmental declarations.

[Learn more about Green Premium >](#)

[Guide to assess a product's sustainability >](#)

## Well-being performance

✓ Reach Free Of Svhc

---

✓ Toxic Heavy Metal Free

---

✓ Mercury Free

---

✓ Rohs Exemption Information [Yes](#)

---

**Reach Regulation** [REACH Declaration](#)

---

**Eu Rohs Directive** Pro-active compliance (Product out of EU RoHS legal scope)  
[EU RoHS Declaration](#)

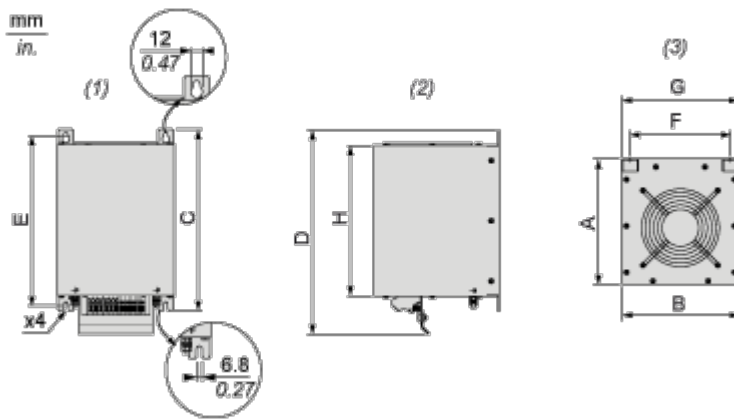
---

**China Rohs Regulation** [China RoHS declaration](#)

---

Dimensions Drawings

Dimensions



- (1) Front view
- (2) Right side view
- (3) Top view

Dimensions in mm

A	B	C	D	E	F	G	H
205.5	190	295	332.11	276	163	188	246

Dimensions in in.

A	B	C	D	E	F	G	H
8.09	7.48	11.61	13.07	10.87	6.42	7.40	9.69

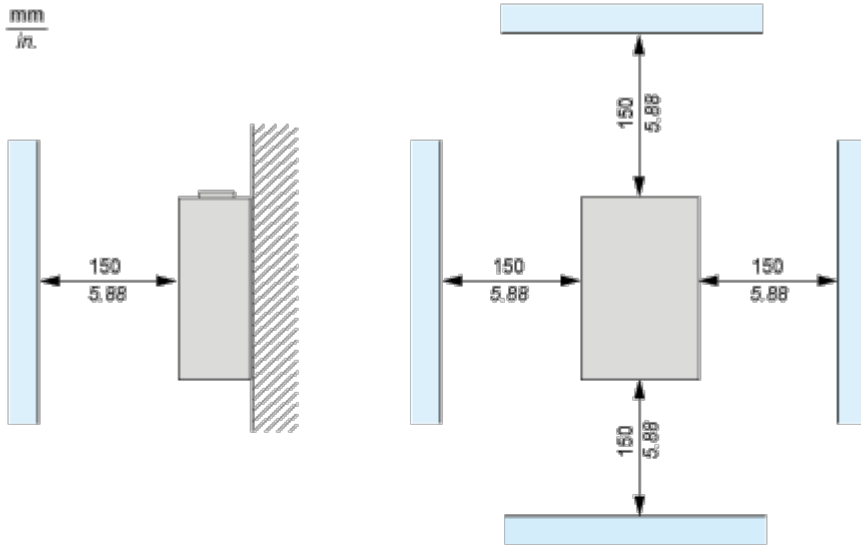
Mounting and Clearance

Mounting Recommendations

---

Vertical Mounting Only

mm  
in.



(1) Filter

Connections and Schema

Recommended Schema



- (1) Drive
- (2) Filter
- (3) Optional