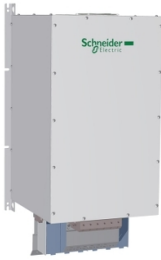


Product datasheet

Specifications



passive filter - 225 A - 400 V - 50 Hz - for variable speed drive

VW3A46133

Price: 347,605.91 ZAR

Main

Product Or Component Type	Passive filter
Product Specific Application	Reduction of current harmonics

Complementary

Range Compatibility	Altivar 61 Altivar Process ATV600 Altivar Process ATV900 Altivar 71
[Us] Rated Supply Voltage	400 V +/- 10 %
Power Supply Frequency	50 Hz +/- 2 %
Quantity Per Drive	1 filter per drive for variable speed drive ATV650 wall mount, motor: 90 kW/125 hp 1 filter per drive for variable speed drive ATV630 wall mount, motor: 90 kW/125 hp 1 filter per drive for variable speed drive ATV950 wall mount, motor: 90 kW/125 hp 1 filter per drive for variable speed drive ATV930 wall mount, motor: 90 kW/125 hp 1 filter per drive for variable speed drive ATV61H motor: 132 kW/200 hp 1 filter per drive for variable speed drive ATV71H motor: 132 kW/200 hp 1 filter per drive for variable speed drive ATV61Q motor: 132 kW/200 hp 1 filter per drive for variable speed drive ATV71Q motor: 132 kW/200 hp
[In] Rated Current	217 A for input 225 A for output
Network Number Of Phases	3 phases
Thdi	5 % for variable speed drive ATV650 motor: 90 kW/125 hp 5 % for variable speed drive ATV630 motor: 90 kW/125 hp 5 % for variable speed drive ATV61H motor: 132 kW/200 hp 5 % for variable speed drive ATV71H motor: 132 kW/200 hp 5 % for variable speed drive ATV61Q motor: 132 kW/200 hp 5 % for variable speed drive ATV71Q motor: 132 kW/200 hp 5 % for variable speed drive ATV950 motor: 90 kW/125 hp 5 % for variable speed drive ATV930 motor: 90 kW/125 hp
Max Current	1.5 x nominal current (duration = 60 s)
Efficiency	98 %
Thermal Losses	1194 W
Cos Phi	1 (150 % of line current) 0.85 (75 % of line current) 0.99 (100 % of line current)
Electrical Connection	A, B terminal, connection capacity: 2.5 mm ² X1-1...X2-3 terminal, connection capacity: 25...300 mm ²
Electrical Insulation Class	Class F
Net Weight	172 kg

Environment

Excluding VAT and subject to change. Please check with your local distributor through "Where to buy"

Ip Degree Of Protection	IP20 IP55 (enclosure mounting)
Vibration Resistance	2 mm peak to peak (f= 5...13.2 Hz) conforming to IEC 60068-2-6 0.7 gn (f= 13.2...150 Hz) conforming to IEC 60068-2-6
Relative Humidity	5...85 % without condensation
Ambient Air Temperature For Operation	45...60 °C (with current derating 3 % per °C) 5...45 °C (without current derating)
Ambient Air Temperature For Storage	-25...55 °C storage in original packaging -25...65 °C during transport
Operating Altitude	<= 1000 m without current derating > 1000...4000 m with current derating 5 % per 1000 m
Standards	IEC 61000-3-12 IEC 61000-2-4 IEC 61000-3-4 IEC 61000-3-2 IEC 61000-2-2 G5/4 engineering recommendation

Packing Units

Unit Type Of Package 1	PCE
Number Of Units In Package 1	1
Package 1 Height	71.000 cm
Package 1 Width	80.000 cm
Package 1 Length	120.000 cm
Package 1 Weight	196.6 kg

Sustainability

Green Premium™ label is Schneider Electric's commitment to delivering products with best-in-class environmental performance. Green Premium promises compliance with the latest regulations, transparency on environmental impacts, as well as circular and low-CO₂ products.

Guide to assessing product sustainability is a white paper that clarifies global eco-label standards and how to interpret environmental declarations.

[Learn more about Green Premium >](#)

[Guide to assess a product's sustainability >](#)

Well-being performance

✓ Reach Free Of Svhc

✓ Toxic Heavy Metal Free

✓ Mercury Free

✓ Rohs Exemption Information [Yes](#)

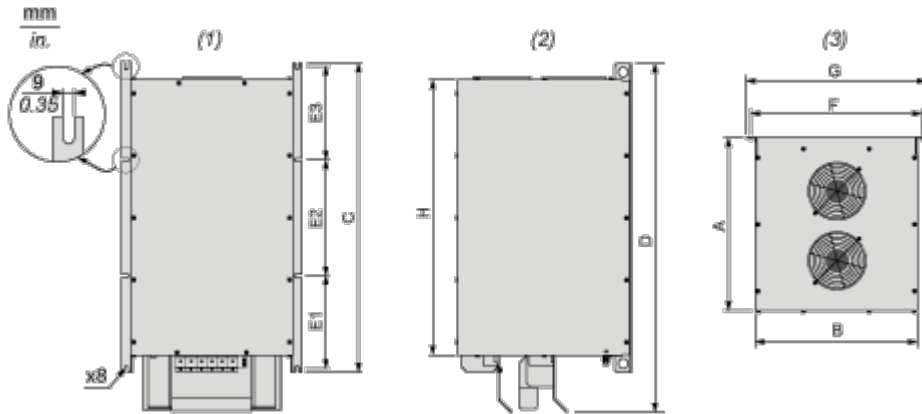
Reach Regulation [REACH Declaration](#)

Eu Rohs Directive Pro-active compliance (Product out of EU RoHS legal scope)
[EU RoHS Declaration](#)

China Rohs Regulation [China RoHS declaration](#)

Dimensions Drawings

Dimensions



- (1) Front view
- (2) Right side view
- (3) Top view

Dimensions in mm

A	B	C	D	E1	E2	E3	F	G	H
448.5	420	800	900.06	240	300	240	443	468	713

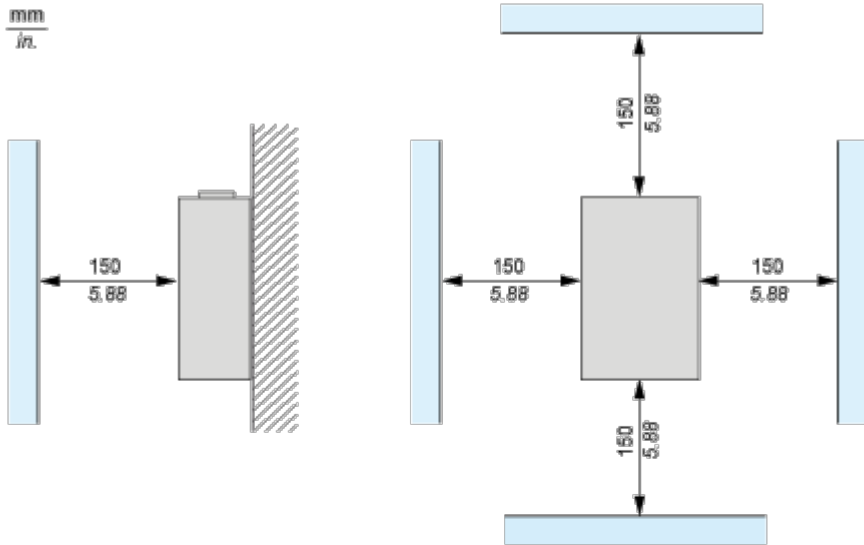
Dimensions in in.

A	B	C	D	E1	E2	E3	F	G	H
17.66	16.54	31.50	35.43	9.45	11.81	9.45	17.44	18.43	28.07

Mounting and Clearance

Mounting Recommendations

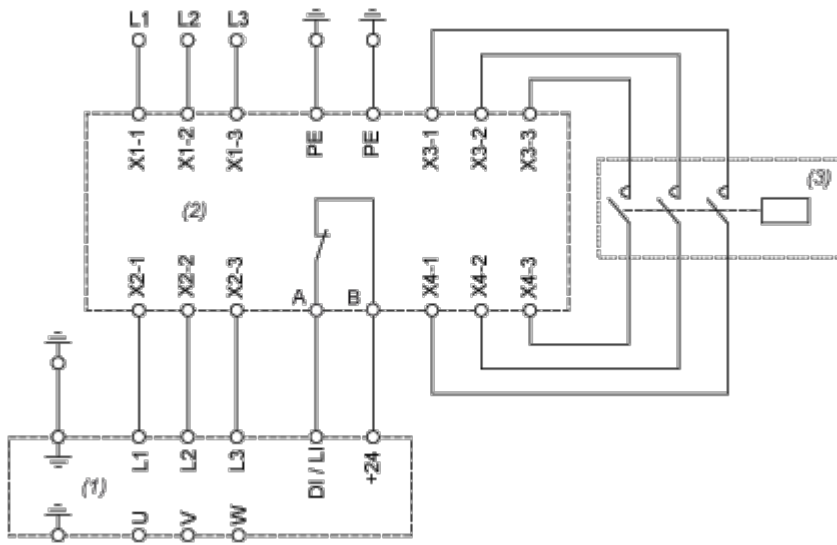
Vertical Mounting Only



(1) Filter

Connections and Schema

Recommended Schema



- (1) Drive
- (2) Filter
- (3) Optional