

Product datasheet

Specifications



passive filter - 450 A - 400 V - 50 Hz - for variable speed drive

VW3A46138

Price: 509,553.47 ZAR

Main

Product Or Component Type	Passive filter
Product Specific Application	Reduction of current harmonics

Complementary

Range Compatibility	Altivar Process ATV600 Altivar 61 Altivar 71 Altivar Process ATV900
[Us] Rated Supply Voltage	400 V +/- 10 %
Power Supply Frequency	50 Hz +/- 2 %
Quantity Per Drive	2 filters per drive for variable speed drive ATV71H motor: 250 kW/400 hp 1 filter per drive for variable speed drive ATV61Q motor: 220 kW/350 hp 1 filter per drive for variable speed drive ATV71Q motor: 220 kW/350 hp 2 filters per drive for variable speed drive ATV61H motor: 250 kW/400 hp 2 filters per drive for variable speed drive ATV61H motor: 500 kW/700 hp 2 filters per drive for variable speed drive ATV71H motor: 500 kW/700 hp 2 filters per drive for variable speed drive ATV61Q motor: 500 kW/700 hp 2 filters per drive for variable speed drive ATV71Q motor: 500 kW/700 hp 1 filter per drive for variable speed drive ATV630 wall mount, motor: 220 kW/350 hp 1 filter per drive for variable speed drive ATV630 wall mount, motor: 250 kW/400 hp 1 filter per drive for variable speed drive ATV930 wall mount, motor: 220 kW/350 hp 1 filter per drive for variable speed drive ATV930 wall mount, motor: 250 kW/400 hp
[In] Rated Current	433 A for input 450 A for output
Network Number Of Phases	3 phases
Thdi	5 % for variable speed drive ATV71H motor: 250 kW/400 hp 5 % for variable speed drive ATV61Q motor: 220 kW/350 hp 5 % for variable speed drive ATV71Q motor: 220 kW/350 hp 5 % for variable speed drive ATV61H motor: 250 kW/400 hp 5 % for variable speed drive ATV61H motor: 500 kW/700 hp 5 % for variable speed drive ATV71H motor: 500 kW/700 hp 5 % for variable speed drive ATV61Q motor: 500 kW/700 hp 5 % for variable speed drive ATV71Q motor: 500 kW/700 hp 5 % for variable speed drive ATV630 motor: 220 kW/350 hp 5 % for variable speed drive ATV630 motor: 250 kW/400 hp 5 % for variable speed drive ATV930 motor: 220 kW/350 hp 5 % for variable speed drive ATV930 motor: 250 kW/400 hp
Max Current	1.5 x nominal current (duration = 60 s)
Efficiency	98 %
Thermal Losses	1852 W
Cos Phi	1 (150 % of line current) 0.85 (75 % of line current) 0.99 (100 % of line current)
Electrical Connection	A, B terminal, connection capacity: 2.5 mm ² X1-1...X2-3 terminal, connection capacity: 25...300 mm ²

Excluding VAT and subject to change. Please check with your local distributor through "Where to buy"

Electrical Insulation Class	Class F
Net Weight	272 kg

Environment

Ip Degree Of Protection	IP20 IP55 (enclosure mounting)
Vibration Resistance	2 mm peak to peak (f= 5...13.2 Hz) conforming to IEC 60068-2-6 0.7 gn (f= 13.2...150 Hz) conforming to IEC 60068-2-6
Relative Humidity	5...85 % without condensation
Ambient Air Temperature For Operation	45...60 °C (with current derating 3 % per °C) 5...45 °C (without current derating)
Ambient Air Temperature For Storage	-25...55 °C storage in original packaging -25...65 °C during transport
Operating Altitude	<= 1000 m without current derating > 1000...4000 m with current derating 5 % per 1000 m
Standards	G5/4 engineering recommendation IEC 61000-2-2 IEC 61000-3-12 IEC 61000-3-4 IEC 61000-2-4 IEC 61000-3-2

Packing Units

Unit Type Of Package 1	PCE
Number Of Units In Package 1	1
Package 1 Height	71.000 cm
Package 1 Width	80.000 cm
Package 1 Length	120.000 cm
Package 1 Weight	302.6 kg

Sustainability

Green Premium™ label is Schneider Electric's commitment to delivering products with best-in-class environmental performance. Green Premium promises compliance with the latest regulations, transparency on environmental impacts, as well as circular and low-CO₂ products.

Guide to assessing product sustainability is a white paper that clarifies global eco-label standards and how to interpret environmental declarations.

[Learn more about Green Premium >](#)

[Guide to assess a product's sustainability >](#)

Well-being performance

✓ Reach Free Of Svhc

✓ Toxic Heavy Metal Free

✓ Mercury Free

✓ Rohs Exemption Information [Yes](#)

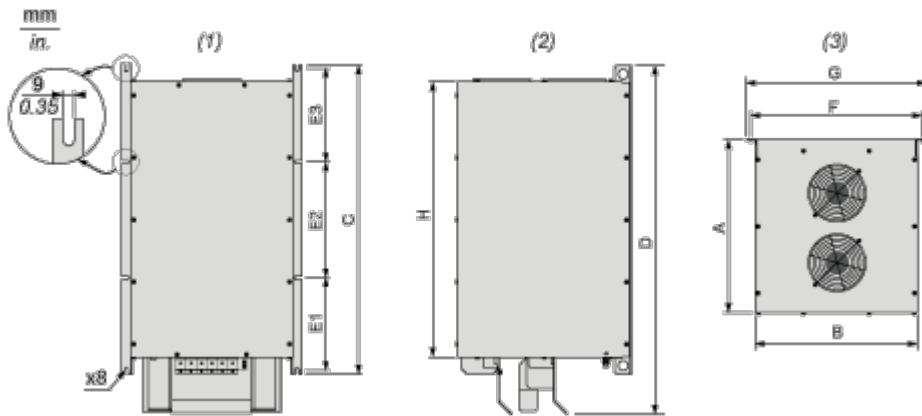
Reach Regulation [REACH Declaration](#)

Eu Rohs Directive Pro-active compliance (Product out of EU RoHS legal scope)
[EU RoHS Declaration](#)

China Rohs Regulation [China RoHS declaration](#)

Dimensions Drawings

Dimensions



- (1) Front view
- (2) Right side view
- (3) Top view

Dimensions in mm

A	B	C	D	E1	E2	E3	F	G	H
510	420	800	900.06	240	300	240	443	468	713

Dimensions in in.

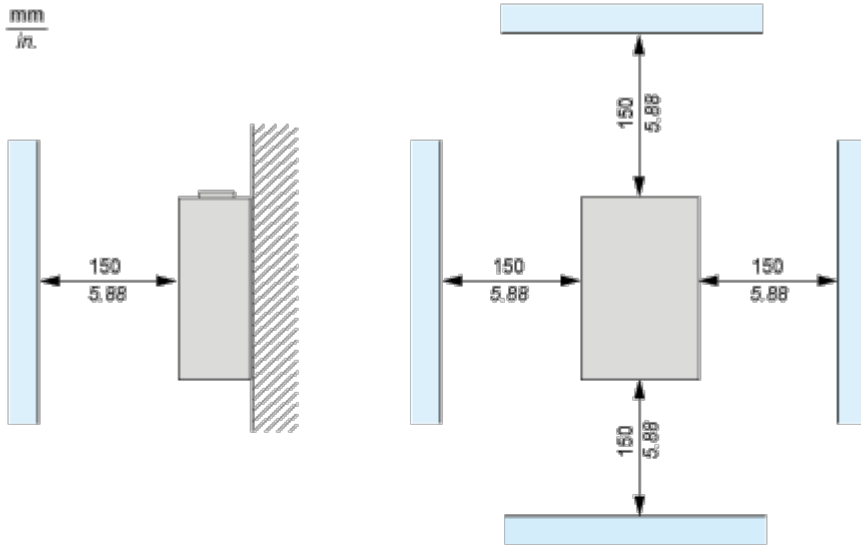
A	B	C	D	E1	E2	E3	F	G	H
20.00	16.54	31.50	35.43	9.45	11.81	9.45	17.44	18.43	28.07

Mounting and Clearance

Mounting Recommendations

Vertical Mounting Only

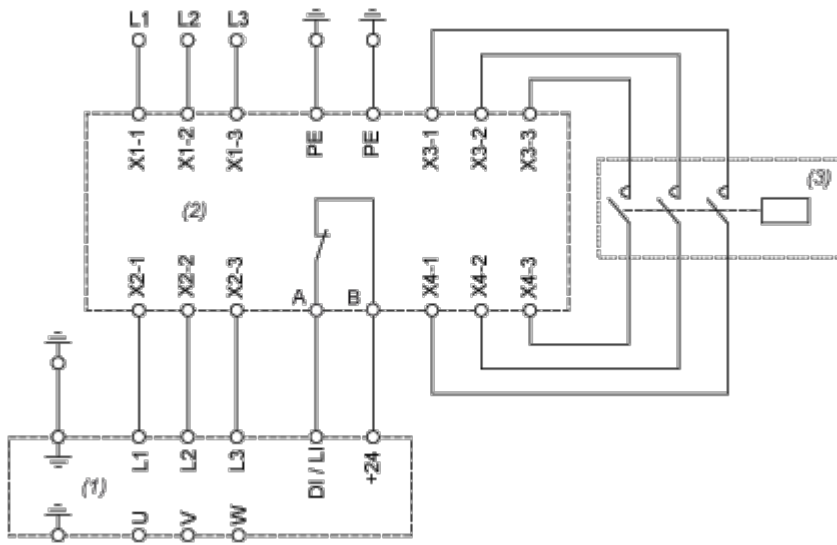
mm
in.



(1) Filter

Connections and Schema

Recommended Schema



- (1) Drive
- (2) Filter
- (3) Optional