

Product datasheet

Specifications



output dv/dt filter for variable speed drive - IP20

VW3A5304

Price: 15,947.80 ZAR

Main

| | |
|-------------------------------------|------------------------------------------------------------------------------------------------------------------------------------------------------------------------------------------------------------------------------------------------------------------------------------------------------------------------------------------------------------------------------------------------------------------------------------------------------------------------------------------------------------------------------------------------------------------------------------------------------------------------------------------------------------------------------------------------------------------------------------------------------------------------------------------------------------------------------------------------------------------------------------------------------------------------------------------------------------------------------------------------------------------------------------------------------------------------------------------------------------------------------------------------------------------|
| Product Or Component Type | Dv/dt filter |
| Range Compatibility | Altivar Process ATV900 Altivar Process ATV600 Easy Altivar 610 Altivar Machine ATV340 |
| Product Specific Application | Output filter |
| [In] Rated Current | 50 A |
| Product Compatibility | ATV630 variable speed drive wall mount - 11 kW, 200...240 V ATV630 variable speed drive wall mount - 15 kW, 380...480 V ATV630 variable speed drive wall mount - 18.5 kW, 380...480 V ATV630 variable speed drive wall mount - 22 kW, 380...480 V ATV650 variable speed drive wall mount - 15 kW, 380...480 V ATV650 variable speed drive wall mount - 18.5 kW, 380...480 V ATV650 variable speed drive wall mount - 22 kW, 380...480 V ATV610 variable speed drive - 18.5 kW, 380...415 V ATV610 variable speed drive - 22 kW, 380...415 V ATV630 variable speed drive wall mount - 5.5 kW, 200...240 V ATV630 variable speed drive wall mount - 7.5 kW, 200...240 V ATV930 variable speed drive wall mount - 11 kW, 200...240 V ATV930 variable speed drive wall mount - 15 kW, 380...480 V ATV930 variable speed drive wall mount - 18.5 kW, 380...480 V ATV930 variable speed drive wall mount - 22 kW, 380...480 V ATV950 variable speed drive wall mount - 15 kW, 380...480 V ATV950 variable speed drive wall mount - 18.5 kW, 380...480 V ATV950 variable speed drive wall mount - 22 kW, 380...480 V |
| Needed Quantity | 1 |
| Electrical Connection | Terminal block, connection capacity: 16 mm ² / AWG 6 |

Complementary

| | |
|----------------------------------------------|-------------------------------------------------------------------------------------------|
| Maximum Motor Cable Length | 500 m unshielded cable 300 m shielded cable |
| Dv/Dt | 3000 V/μs max at 200...240 V 3000 V/μs max at 380...480 V |
| Thermal Losses | 65 W at 4 kHz |
| Maximum Drive Output Frequency | 100 Hz |
| Ambient Air Temperature For Operation | -10...50 °C (without current derating) 50...60 °C (with current derating 1.5 % per °C) |
| Operating Altitude | 0...1000 m without current derating 1000...4000 m with current derating 1 % per 100 m |
| Width | 300 mm |
| Height | 560 mm |
| Depth | 245 mm |
| Net Weight | 18 kg |

Excluding VAT and subject to change. Please check with your local distributor through "Where to buy"

Environment

| | |
|-------------------------|-----------------------------------|
| Ip Degree Of Protection | IP20 IP21 (with kit VW3A53903) |
|-------------------------|-----------------------------------|

| | |
|-------------------------------------|-------------|
| Ambient Air Temperature For Storage | -40...70 °C |
|-------------------------------------|-------------|

Packing Units

| | |
|------------------------|-----|
| Unit Type Of Package 1 | PCE |
|------------------------|-----|

| | |
|------------------------------|---|
| Number Of Units In Package 1 | 1 |
|------------------------------|---|

| | |
|------------------|---------|
| Package 1 Height | 38.0 cm |
|------------------|---------|

| | |
|-----------------|---------|
| Package 1 Width | 38.0 cm |
|-----------------|---------|

| | |
|------------------|---------|
| Package 1 Length | 60.0 cm |
|------------------|---------|

| | |
|------------------|---------|
| Package 1 Weight | 25.4 kg |
|------------------|---------|

Contractual warranty

| | |
|----------|-----------|
| Warranty | 18 months |
|----------|-----------|

Sustainability

Green Premium™ label is Schneider Electric's commitment to delivering products with best-in-class environmental performance. Green Premium promises compliance with the latest regulations, transparency on environmental impacts, as well as circular and low-CO₂ products.

Guide to assessing product sustainability is a white paper that clarifies global eco-label standards and how to interpret environmental declarations.

[Learn more about Green Premium >](#)

[Guide to assess a product's sustainability >](#)

Well-being performance

✓ Reach Free Of Svhc

✓ Toxic Heavy Metal Free

✓ Mercury Free

✓ Rohs Exemption Information [Yes](#)

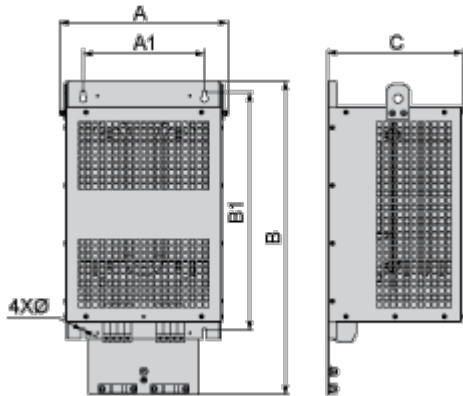
Reach Regulation [REACH Declaration](#)

Eu Rohs Directive Pro-active compliance (Product out of EU RoHS legal scope)
[EU RoHS Declaration](#)

China Rohs Regulation [China RoHS declaration](#)

Dimensions Drawings

Dimensions



Dimensions in mm

| A | B | C | A1 | B1 | Ø |
|-----|-----|-----|-----|-----|---|
| 300 | 545 | 245 | 210 | 411 | 7 |

Dimensions in in.

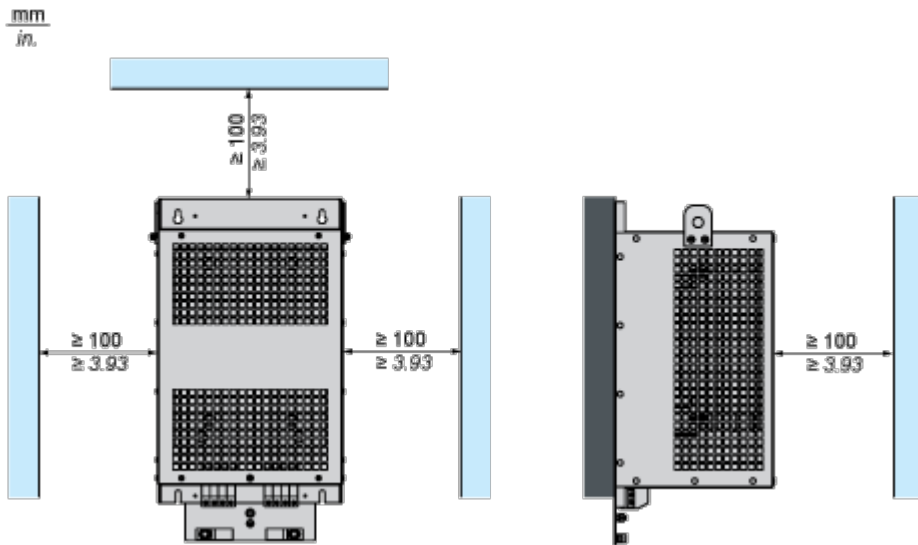
| A | B | C | A1 | B1 | Ø |
|------|------|-----|-----|------|------|
| 11.8 | 21.5 | 9.6 | 8.3 | 16.2 | 0.28 |

Mounting and Clearance

Mounting and Clearance

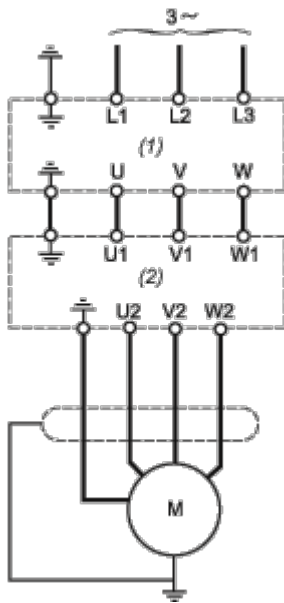


(1) Filter



Connections and Schema

Recommended Schema



- (1) Drive
- (2) Filter