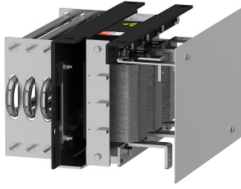


Product datasheet

Specifications



output dv/dt filter for variable speed drive - IP00

VW3A5306

Price: 21,119.16 ZAR

Main

Product Or Component Type	Dv/dt filter
Range Compatibility	Altivar Process ATV900 Easy Altivar 610 Altivar Process ATV600 Altivar Machine ATV340
Product Specific Application	Output filter
[In] Rated Current	180 A
Product Compatibility	ATV630 variable speed drive wall mount - 30 kW, 200...240 V ATV630 variable speed drive wall mount - 37 kW, 200...240 V ATV630 variable speed drive wall mount - 45 kW, 200...240 V ATV630 variable speed drive wall mount - 55 kW, 380...480 V ATV630 variable speed drive wall mount - 75 kW, 380...480 V ATV630 variable speed drive wall mount - 90 kW, 380...480 V ATV650 variable speed drive wall mount - 55 kW, 380...480 V ATV650 variable speed drive wall mount - 75 kW, 380...480 V ATV650 variable speed drive wall mount - 90 kW, 380...480 V ATV610 variable speed drive - 55 kW, 380...415 V ATV610 variable speed drive - 75 kW, 380...415 V ATV610 variable speed drive - 90 kW, 380...415 V ATV930 variable speed drive wall mount - 30 kW, 200...240 V ATV930 variable speed drive wall mount - 37 kW, 200...240 V ATV930 variable speed drive wall mount - 45 kW, 200...240 V ATV930 variable speed drive wall mount - 55 kW, 380...480 V ATV930 variable speed drive wall mount - 75 kW, 380...480 V ATV930 variable speed drive wall mount - 90 kW, 380...480 V ATV950 variable speed drive wall mount - 55 kW, 380...480 V ATV950 variable speed drive wall mount - 75 kW, 380...480 V ATV950 variable speed drive wall mount - 90 kW, 380...480 V
Nedded Quantity	1
Electrical Connection	Copper bar M10, connection capacity: 120 mm ² / AWG 4/0

Complementary

Maximum Motor Cable Length	500 m unshielded cable 300 m shielded cable
Dv/Dt	3000 V/μs max at 200...240 V 3000 V/μs max at 380...480 V
Thermal Losses	176 W at 4 kHz
Maximum Drive Output Frequency	100 Hz
Ambient Air Temperature For Operation	-10...50 °C (without current derating) 50...60 °C (with current derating 1.5 % per °C)
Operating Altitude	0...1000 m without current derating 1000...4000 m with current derating 1 % per 100 m
Width	380 mm
Height	350 mm

Excluding VAT and subject to change. Please check with your local distributor through "Where to buy"

Depth	235 mm
--------------	--------

Net Weight	22 kg
-------------------	-------

Environment

Ip Degree Of Protection	IP00
--------------------------------	------

Ambient Air Temperature For Storage	-40...70 °C
--------------------------------------------	-------------

Packing Units

Unit Type Of Package 1	PCE
-------------------------------	-----

Number Of Units In Package 1	1
-------------------------------------	---

Package 1 Height	37.700 cm
-------------------------	-----------

Package 1 Width	39.800 cm
------------------------	-----------

Package 1 Length	44.500 cm
-------------------------	-----------

Package 1 Weight	29.400 kg
-------------------------	-----------

Sustainability

Green Premium™ label is Schneider Electric's commitment to delivering products with best-in-class environmental performance. Green Premium promises compliance with the latest regulations, transparency on environmental impacts, as well as circular and low-CO₂ products.

Guide to assessing product sustainability is a white paper that clarifies global eco-label standards and how to interpret environmental declarations.

[Learn more about Green Premium >](#)

[Guide to assess a product's sustainability >](#)

Well-being performance

✓ Reach Free Of Svhc

✓ Toxic Heavy Metal Free

✓ Mercury Free

✓ Rohs Exemption Information [Yes](#)

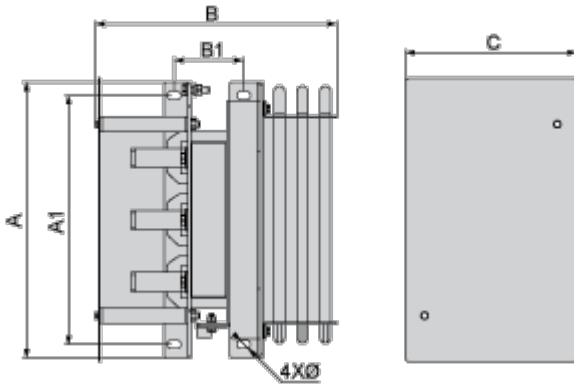
Reach Regulation [REACH Declaration](#)

Eu Rohs Directive Pro-active compliance (Product out of EU RoHS legal scope)
[EU RoHS Declaration](#)

China Rohs Regulation [China RoHS declaration](#)

Dimensions Drawings

Dimensions



Dimensions in mm

A	B	C	A1	B1	Ø
380	325	235	325	91	11

Dimensions in in.

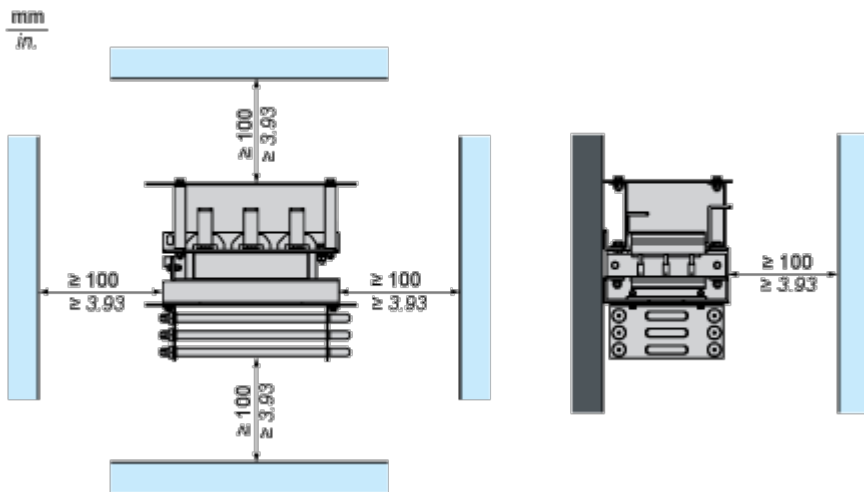
A	B	C	A1	B1	Ø
15	12.8	9.3	12.8	3.6	0.43

Mounting and Clearance

Mounting and Clearance

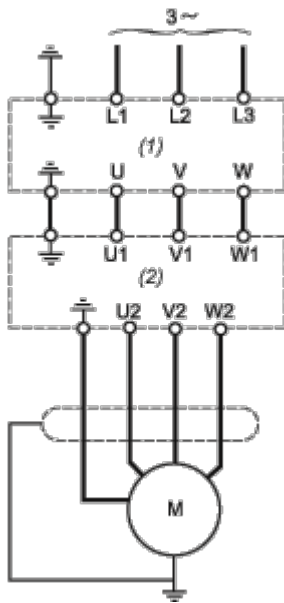


(1) Filter



Connections and Schema

Recommended Schema



- (1) Drive
- (2) Filter