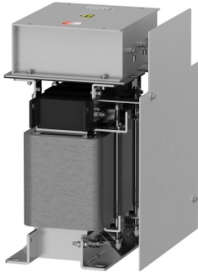


# Product datasheet

Specifications



## output sinus filter - 305 A - for variable speed drive

VW3A5407

**Price: 120,250.68 ZAR**

### Main

Product Or Component Type	Sinus filter
Range Compatibility	Altivar Process ATV900 Altivar Process ATV600
Product Specific Application	Output filter

### Complementary

Maximum Motor Cable Length	1000 m unshielded cable 500 m shielded cable
[In] Rated Current	305 A
Thermal Losses	676 W at 4 kHz
Product Compatibility	Variable speed drive ATV630 wall mount, motor: 55 kW, 380...480 V Variable speed drive ATV630 wall mount, motor: 110 kW, 380...480 V Variable speed drive ATV630 wall mount, motor: 132 kW, 200...240 V Variable speed drive ATV630 wall mount, motor: 160 kW, 380...480 V Variable speed drive ATV930 wall mount, motor: 55 kW, 380...480 V Variable speed drive ATV930 wall mount, motor: 110 kW, 380...480 V Variable speed drive ATV930 wall mount, motor: 132 kW, 200...240 V Variable speed drive ATV930 wall mount, motor: 160 kW, 380...480 V
Electrical Connection	M10 copper bar, connection capacity: 300 mm <sup>2</sup> / 500 kcmil
Operating Altitude	<= 1000 m without current derating 1000...4000 m with current derating 1 % per 100 m
Switching Frequency	2.5...6 kHz
Maximum Output Frequency	100 Hz
Maximum Voltage Drop At Rated Load	8 %
Permissible Voltage	480 V AC
Max Current	1.20 x nominal current (duration = 60 s)
Width	460 mm
Height	370 mm
Depth	565 mm
Net Weight	131 kg

### Environment

Ip Degree Of Protection	IP00
Environmental Characteristic	Biological pollution resistance class 3B1 conforming to IEC 60721-3-3 Chemical pollution resistance class 3C3 conforming to IEC 60721-3-3 Dust pollution resistance class 3S3 conforming to IEC 60721-3-3
Pollution Degree	3 conforming to IEC 61800-5-1

Excluding VAT and subject to change. Please check with your local distributor through "Where to buy"

<b>Relative Humidity</b>	5...95 % without condensation
<b>Ambient Air Temperature For Operation</b>	50...60 °C (with current derating 1.5 % per °C) -15...50 °C (without current derating)
<b>Ambient Air Temperature For Storage</b>	-40...70 °C
<b>Mechanical Robustness</b>	Shocks class 3M4 conforming to IEC 60721-3-3 Vibrations class 3M4 conforming to IEC 60721-3-3

## Packing Units

<b>Unit Type Of Package 1</b>	PCE
<b>Number Of Units In Package 1</b>	1
<b>Package 1 Height</b>	56.500 cm
<b>Package 1 Width</b>	46.000 cm
<b>Package 1 Length</b>	37.000 cm
<b>Package 1 Weight</b>	138.500 kg

## Sustainability

**Green Premium™ label** is Schneider Electric's commitment to delivering products with best-in-class environmental performance. Green Premium promises compliance with the latest regulations, transparency on environmental impacts, as well as circular and low-CO<sub>2</sub> products.

**Guide to assessing product sustainability** is a white paper that clarifies global eco-label standards and how to interpret environmental declarations.

[Learn more about Green Premium >](#)

[Guide to assess a product's sustainability >](#)

## Well-being performance

✓ Reach Free Of Svhc

---

✓ Toxic Heavy Metal Free

---

✓ Mercury Free

---

✓ Rohs Exemption Information [Yes](#)

---

**Reach Regulation** [REACH Declaration](#)

---

**Eu Rohs Directive** Pro-active compliance (Product out of EU RoHS legal scope)  
[EU RoHS Declaration](#)

---

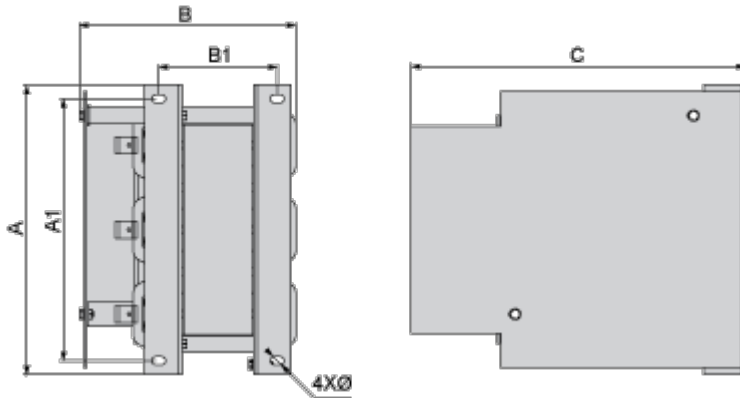
**China Rohs Regulation** [China RoHS declaration](#)

---

Dimensions Drawings

Dimensions

---



Dimensions in mm

A	B	C	A1	B1	Ø
460	370	565	410	204	15

Dimensions in in.

A	B	C	A1	B1	Ø
18.1	14.6	22.2	16.1	8.0	0.59

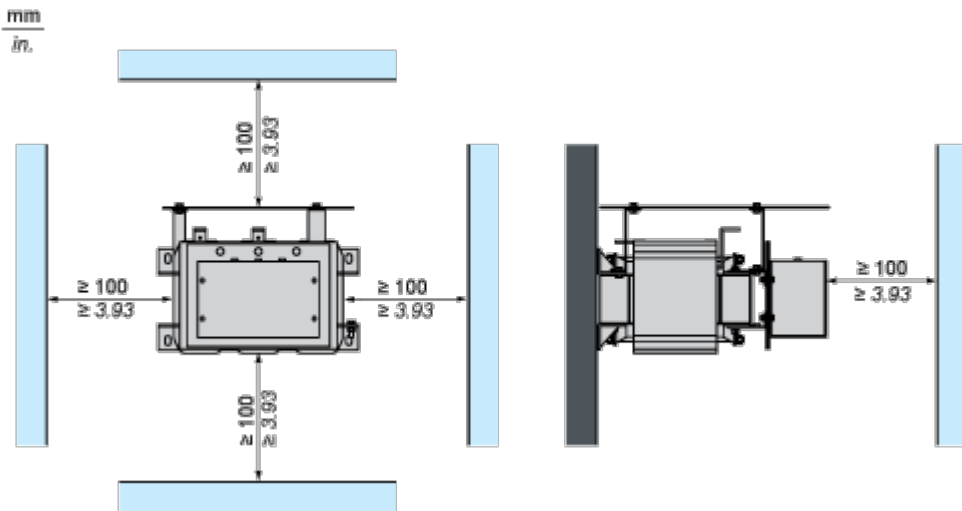
Mounting and Clearance

Mounting and Clearance

---



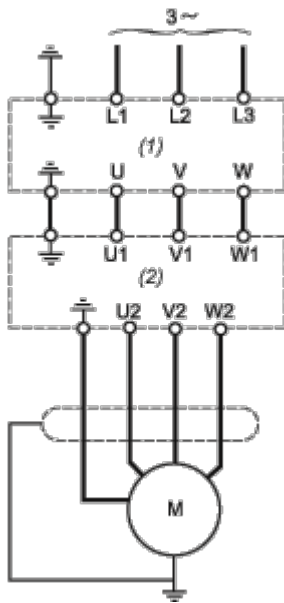
(1) Filter



Connections and Schema

Recommended Schema

---



- (1) Drive
- (2) Filter