

Product datasheet

Specifications



Harmony XAC. Empty pendant control station. plastic. yellow. 8 cut-outs. for cable Ø 10...22 mm

XACB08

Price: 3,727.27 ZAR

Main

Range Of Product	Harmony XAC
Product Or Component Type	Pendant control station
Device Short Name	XACB

Complementary

Control Station Type	Double insulated
Enclosure Material	Glass reinforced polyester
Electrical Circuit Type	Power circuit Control circuit
Enclosure Type	Empty enclosure
Number Of Cut-Out	8 cut-outs
Control Station Colour	Yellow
Cable Entry	Rubber sleeve with stepped entry 10...22 mm
Guard Rail	Without
Vertical Operator Cut-Out Centre	40 mm
Standards	IEC 60947-5-1 CSA C22.2 No 14
Product Certifications	CSA type 4
Protective Treatment	TH
Ambient Air Temperature For Operation	-25...70 °C
Ambient Air Temperature For Storage	-40...70 °C
Vibration Resistance	15 gn (f= 10...500 Hz) conforming to IEC 60068-2-6
Shock Resistance	100 gn conforming to IEC 60068-2-27
Overvoltage Category	Class II conforming to IEC 61140
IP Degree Of Protection	IP65 conforming to IEC 60529
IK Degree Of Protection	IK08 conforming to IEC 62262
Mechanical Durability	1000000 cycles
Net Weight	1.33 kg

Packing Units

Unit Type Of Package 1	PCE
Number Of Units In Package 1	1

Excluding VAT and subject to change. Please check with your local distributor through "Where to buy"

Package 1 Height	10.200 cm
Package 1 Width	11.200 cm
Package 1 Length	69.600 cm
Package 1 Weight	1.378 kg
Unit Type Of Package 2	P06
Number Of Units In Package 2	25
Package 2 Height	75.000 cm
Package 2 Width	60.000 cm
Package 2 Length	80.000 cm
Package 2 Weight	48.175 kg

Contractual warranty

Warranty	18 months
----------	-----------

Sustainability

Green Premium™ label is Schneider Electric's commitment to delivering products with best-in-class environmental performance. Green Premium promises compliance with the latest regulations, transparency on environmental impacts, as well as circular and low-CO₂ products.

Guide to assessing product sustainability is a white paper that clarifies global eco-label standards and how to interpret environmental declarations.

[Learn more about Green Premium >](#)

[Guide to assess a product's sustainability >](#)

Well-being performance

✓ Reach Free Of Svhc

✓ Toxic Heavy Metal Free

✓ Mercury Free

✓ Rohs Exemption Information [Yes](#)

Reach Regulation [REACH Declaration](#)

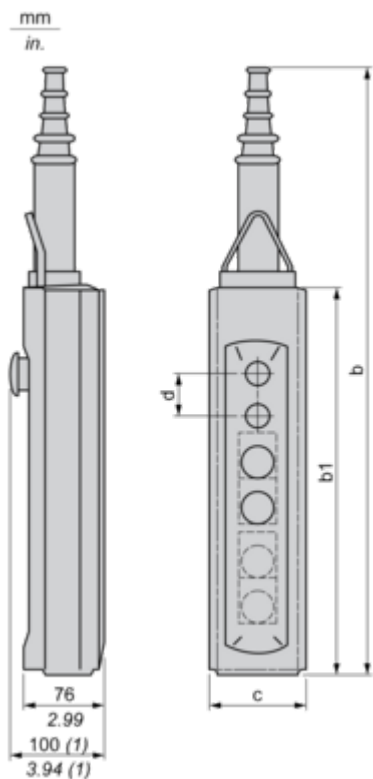
Eu Rohs Directive Pro-active compliance (Product out of EU RoHS legal scope)
[EU RoHS Declaration](#)

China Rohs Regulation [China RoHS declaration](#)

Dimensions Drawings

Dimensions

Below drawing shows a product with 6 cut-outs. Select the number of cut-outs according to the product characteristics in order to get b, b1 and c dimensions.



(1) With mushroom head operator

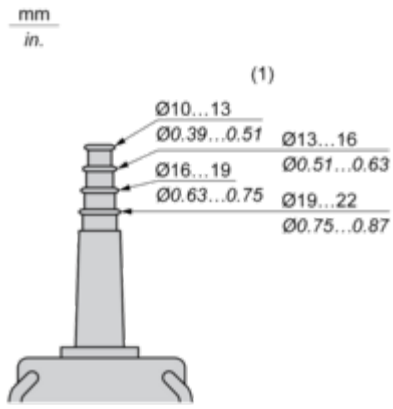
Dimensions in mm

Number of cut-outs	2	4	6	8	12
b	409	499	589	679	679
b1	220	310	400	490	490
c	98	98	98	98	98
d	40	40	40	40	30

Dimensions in in.

Number of cut-outs	2	4	6	8	12
b	16.10	19.64	23.19	26.73	26.73
b1	8.66	12.20	15.75	19.29	19.29
c	3.86	3.86	3.86	3.86	3.86
d	1.57	1.57	1.57	1.57	1.18

Protective cable sleeves

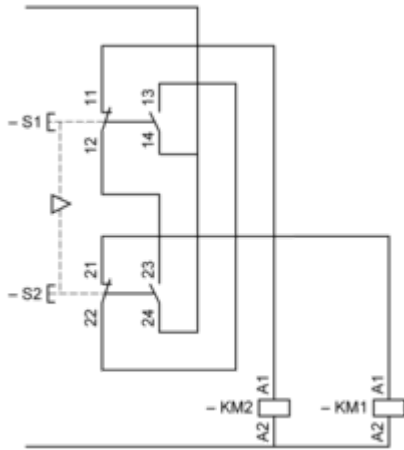


(1) Internal ø

Connections and Schema

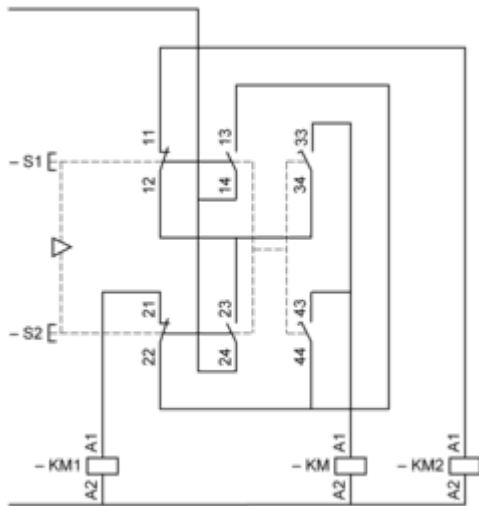
Control of Single-Speed Reversing Motor

With XESD1181 contact block, to be ordered separately



Control of 2-Speed Reversing Motor

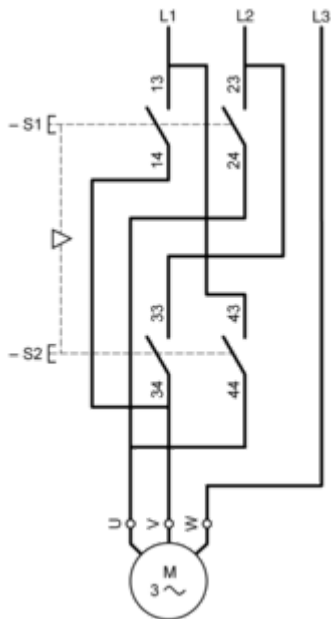
With XESD1281 contact block, to be ordered separately



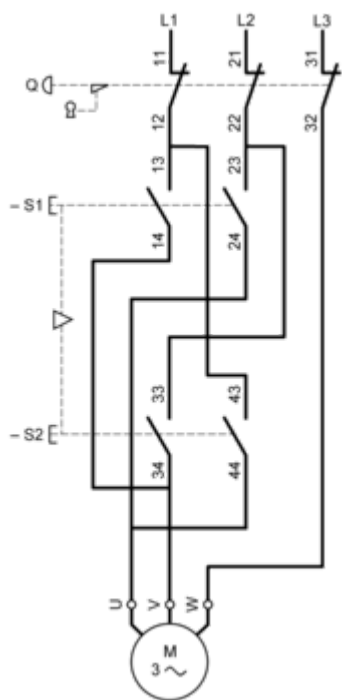
KM High speed contactor

Control of Single-Speed Reversing Motor 2-Phase Switching

With XESD1191 contact block, to be ordered separately

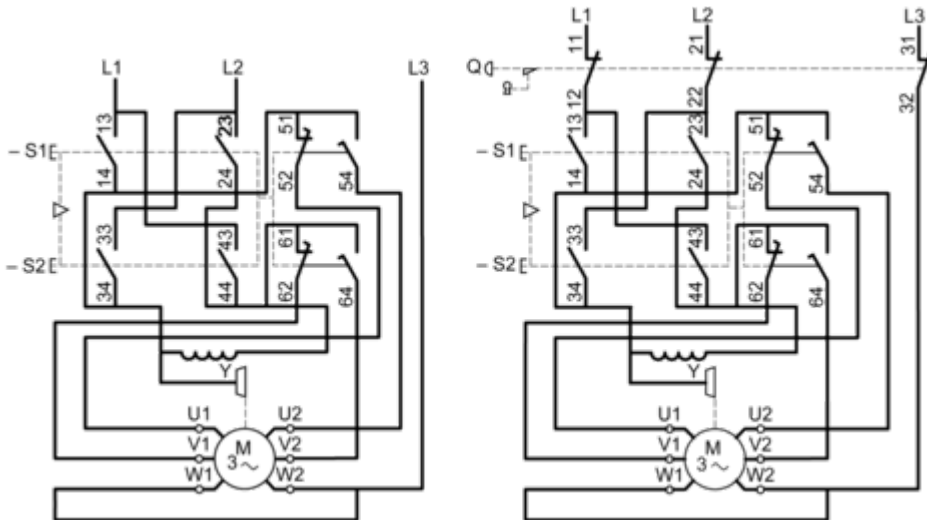


Combined with 3-pole isolating block XACS399 or XACS3991, shown in the unoperated position (pendant station "supplied"), fitted with key release trigger action latching Emergency stop operator.



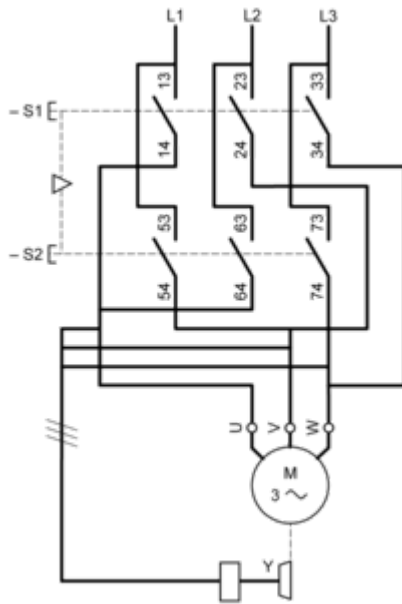
Control of 2-Speed Reversing Motor 2-Phase Switching

With XESD1291 contact block, to be ordered separately



Control of Single-Speed Reversing Motor 3-Phase switching, Reversing by 2-Phase Inversion

With XESD2201 contact block, to be ordered separately



Control of Single-Speed Reversing Motor 3-Phase switching, Reversing by 2-Phase Inversion

With XESD2241 contact block, to be ordered separately

