

# Product datasheet

Specifications



control station XAL-E - 1 flush  
pushbutton - spring return - green -  
1 NO - I

XALE1021

**Price: 523.93 ZAR**

## Main

Range Of Product	Harmony XALE
Product Or Component Type	Complete control station
Device Short Name	XALE
Product Destination	For XB7 Ø 22 mm control and signalling units
Control Station Application	One function
Colour Of Base Of Enclosure	Light grey (RAL 7035)
Colour Of Cover	Light grey (RAL 7035)
Material	ABS (acrylonitrile butadiene-styrene)
Ip Degree Of Protection	IP54 conforming to IEC 60529
Control Station Composition	1 flush push-button, green, spring return 1 NO, white I marking
Marking Location	Marking on push-button
Contact Operation	Slow-break

## Complementary

Cable Entry	2 knock-outs, clamping capacity: 16 mm 4 knock-outs for ISO M20
Net Weight	0.1 kg
Marking	CE
Positive Opening	Without
Short-Circuit Protection	4 A cartridge fuse type gG conforming to IEC 60947-5-1
[Ui] Rated Insulation Voltage	250 V (pollution degree 3) conforming to IEC 60947-1
[Uimp] Rated Impulse Withstand Voltage	4 kV conforming to IEC 60947-1
[Ie] Rated Operational Current	0.1 A at 250 V, DC-13, R300 conforming to IEC 60947-5-1 0.22 A at 125 V, DC-13, R300 conforming to IEC 60947-5-1 0.3 A at 240 V, AC-14, D300 conforming to IEC 60947-5-1 0.6 A at 120 V, AC-14, D300 conforming to IEC 60947-5-1
Electrical Reliability	$\Lambda \leq 10\exp(-6)$ at 17 V and 5 mA conforming to IEC 60947-5-4

## Environment

Protective Treatment	TC
Ambient Air Temperature For Storage	-40...70 °C
Ambient Air Temperature For Operation	-25...55 °C
Electrical Shock Protection Class	Class II conforming to IEC 60536

Excluding VAT and subject to change. Please check with your local distributor through "Where to buy"

---

<b>Ik Degree Of Protection</b>	IK05 conforming to IEC 62262
--------------------------------	------------------------------

---

<b>Standards</b>	IEC 62208 IEC 60947-5-1 IEC 60947-1 IEC 60947-5-5
------------------	--

---

## Packing Units

---

<b>Unit Type Of Package 1</b>	PCE
-------------------------------	-----

---

<b>Number Of Units In Package 1</b>	1
-------------------------------------	---

---

<b>Package 1 Height</b>	9.5 cm
-------------------------	--------

---

<b>Package 1 Width</b>	7.5 cm
------------------------	--------

---

<b>Package 1 Length</b>	11.5 cm
-------------------------	---------

---

<b>Package 1 Weight</b>	95.0 g
-------------------------	--------

---

<b>Unit Type Of Package 2</b>	S03
-------------------------------	-----

---

<b>Number Of Units In Package 2</b>	25
-------------------------------------	----

---

<b>Package 2 Height</b>	30.0 cm
-------------------------	---------

---

<b>Package 2 Width</b>	30.0 cm
------------------------	---------

---

<b>Package 2 Length</b>	40.0 cm
-------------------------	---------

---

<b>Package 2 Weight</b>	3.088 kg
-------------------------	----------

---

## Contractual warranty

---

<b>Warranty</b>	18 months
-----------------	-----------

---

## Sustainability

**Green Premium™ label** is Schneider Electric's commitment to delivering products with best-in-class environmental performance. Green Premium promises compliance with the latest regulations, transparency on environmental impacts, as well as circular and low-CO<sub>2</sub> products.

**Guide to assessing product sustainability** is a white paper that clarifies global eco-label standards and how to interpret environmental declarations.

[Learn more about Green Premium >](#)

[Guide to assess a product's sustainability >](#)



Transparency RoHS/REACH

## Well-being performance

Toxic Heavy Metal Free

Mercury Free

Rohs Exemption Information Yes

## Certifications & Standards

Reach Regulation [REACH Declaration](#)

Eu Rohs Directive Pro-active compliance (Product out of EU RoHS legal scope)  
[EU RoHS Declaration](#)

China Rohs Regulation [China RoHS declaration](#)

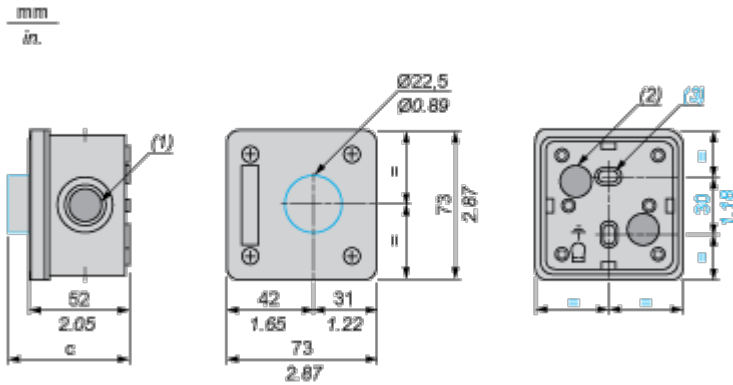
Environmental Disclosure [Product Environmental Profile](#)

Weee The product must be disposed on European Union markets following specific waste collection and never end up in rubbish bins

Circularity Profile [End of Life Information](#)

Dimensions Drawings

Dimensions



- (1) 4 ISO 20 knock-outs.
- (2) 2 knock-outs for cable entry, maximum capacity 16 mm / 0.63 in.
- (3) 2 knock-out elongated fixing holes  $\varnothing 3$  mm x 5 mm /  $\varnothing 0.12$  in. x 0.20 in.

Control station XALE fitted with:	c in mm	c in in.
Flush pushbutton	61	2.40
Projecting pushbutton	63	2.48
Illuminated pushbutton	66.5	2.62
Pilot light	63	2.48
Emergency stop without key	81.5	3.21
Selector switch with standard handle	76.5	3.01
Key switch	92	3.62