

Product datasheet

Specifications



drilled front plate - XAP-E - metal - 3 horizontal openings

XAPE303

Price: 588.99 ZAR

Main

| | |
|-------------------------------|---|
| Range Of Product | Harmony XAP |
| Product Or Component Type | Front plate with fixing screws |
| Device Short Name | XAPE |
| Product Destination | For Ø 22 mm control and signalling units |
| Product Front Plate Size | 72 x 138 mm |
| Number Of Cut-Out | 3 cut-outs |
| Material | Anodised aluminium |
| Device Mounting | Flush |
| Ip Degree Of Protection | IP65 conforming to IEC 60529 IP657 conforming to NF C 20-010 |
| Resistance To Chemical Agents | Good resistant to acetone Good resistant to alcohols Good resistant to chloride and fluoride solvents Good resistant to diluted mineral acids Good resistant to oils and petrol Good resistant to organic acids Good resistant to salts |

Complementary

| | |
|------------|----------|
| Net Weight | 0.095 kg |
|------------|----------|

Environment

| | |
|---------------------------------------|--|
| Protective Treatment | TC TH |
| Ambient Air Temperature For Storage | -40...70 °C |
| Ambient Air Temperature For Operation | -25...70 °C |
| Overvoltage Category | Class I conforming to IEC 60536 Class I conforming to NF C 20-030 |

Packing Units

| | |
|------------------------------|-----------|
| Unit Type Of Package 1 | PCE |
| Number Of Units In Package 1 | 1 |
| Package 1 Height | 8.000 cm |
| Package 1 Width | 1.500 cm |
| Package 1 Length | 14.200 cm |
| Package 1 Weight | 114.000 g |

Excluding VAT and subject to change. Please check with your local distributor through "Where to buy"

| | |
|-------------------------------------|-----------|
| Unit Type Of Package 2 | S02 |
| Number Of Units In Package 2 | 30 |
| Package 2 Height | 15.000 cm |
| Package 2 Width | 30.000 cm |
| Package 2 Length | 40.000 cm |
| Package 2 Weight | 3.790 kg |

Contractual warranty

| | |
|-----------------|-----------|
| Warranty | 18 months |
|-----------------|-----------|

Sustainability

Green Premium™ label is Schneider Electric's commitment to delivering products with best-in-class environmental performance. Green Premium promises compliance with the latest regulations, transparency on environmental impacts, as well as circular and low-CO₂ products.

Guide to assessing product sustainability is a white paper that clarifies global eco-label standards and how to interpret environmental declarations.

[Learn more about Green Premium >](#)

[Guide to assess a product's sustainability >](#)



Transparency RoHS/REACH

Well-being performance

✓ Reach Free Of Svhc

✓ Toxic Heavy Metal Free

✓ Mercury Free

✓ Rohs Exemption Information Yes

Certifications & Standards

Reach Regulation [REACH Declaration](#)

Eu Rohs Directive Pro-active compliance (Product out of EU RoHS legal scope)
[EU RoHS Declaration](#)

China Rohs Regulation [China RoHS declaration](#)

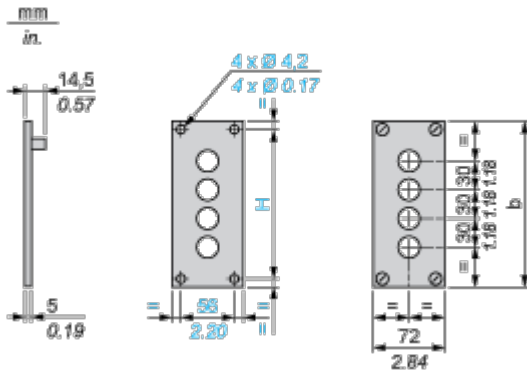
Environmental Disclosure [Product Environmental Profile](#)

Circularity Profile No need of specific recycling operations

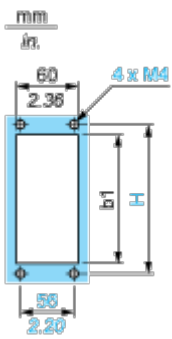
Dimensions Drawings

Dimensions and Fixing

Below drawing shows a front plate with 4 cut-outs. Refer to the product characteristics to get the number of cut-outs.



Panel cut-out



| b | | b1 | | H | |
|-----|------|-----|------|-----|------|
| mm | in. | mm | in. | mm | in. |
| 138 | 5.43 | 110 | 4.33 | 122 | 4.80 |