

# Product datasheet

Specifications



Harmony XB4 - ATEX D. Selector switch. metal. black. Ø22. 2 positions. stay put. 1 NO+1 NC. ATEX

XB4BD25EX

**Price: 1,936.40 ZAR**

## Main

|                               |                          |
|-------------------------------|--------------------------|
| Range Of Product              | Harmony XB4              |
| Product Or Component Type     | Complete selector switch |
| Device Short Name             | XB4                      |
| Bezel Material                | Chromium plated metal    |
| Fixing Collar Material        | Zamak                    |
| Head Type                     | Standard                 |
| Mounting Diamete              | 22 mm                    |
| Sale Per Indivisible Quantity | 1                        |
| Dust Zone                     | Zone 21 - 22             |
| Type Of Operator              | stay put                 |
| Operator Profile              | Black standard handle    |
| Contacts Type And Composition | 1 NO + 1 NC              |

## Complementary

|                                    |  |
|------------------------------------|--|
| Resistance To High Pressure Washer | 7000000 Pa at 55 °C, distance : 0.1 m  |
| Device Mounting                    | Fixing hole - diameter: 22.5 mm 22.3 +0.4/0 conforming to IEC 60947-1  |
| Fixing Center                      | >= 30 x 40 mm (support panel)  |
| Embedding Depth                    | 43 mm  |
| Marking                            | Ex tb IIIC   |
| Shape Of Signaling Unit Head       | Round  |
| Operator Position Information      | 2 positions 90°  |
| Contact Operation                  | Slow-break   |
| Contacts Usage                     | Standard contacts  |
| Positive Opening                   | With conforming to IEC 60947-5-1 appendix K  |
| Torque Value                       | 0.14 N.m NO changing electrical state  |
| Mechanical Durability              | 3000000 cycles   |
| Connections - Terminals            | Screw clamp terminals, <= 2 x 1.5 mm <sup>2</sup> with cable end conforming to IEC 60947-1<br>Screw clamp terminals, >= 1 x 0.22 mm <sup>2</sup> without cable end conforming to IEC 60947-1 |
| Tightening Torque                  | 0.8...1.2 N.m conforming to IEC 60947-1  |

Excluding VAT and subject to change. Please check with your local distributor through "Where to buy"

|  |  |
|--|--|
| <b>Shape Of Screw Head</b>                         | Cross compatible with Philips no 1 screwdriver<br>Cross compatible with pozidriv No 1 screwdriver<br>Slotted compatible with flat Ø 4 mm screwdriver<br>Slotted compatible with flat Ø 5.5 mm screwdriver  |
| <b>Contacts Material</b>                           | Silver alloy (Ag/Ni)   |
| <b>Short-Circuit Protection</b>                    | 10 A cartridge fuse type gG conforming to IEC 60947-5-1  |
| <b>[Ith] Conventional Free Air Thermal Current</b> | 10 A conforming to IEC 60947-5-1   |
| <b>[Ui] Rated Insulation Voltage</b>               | 600 V (pollution degree 3) conforming to IEC 60947-1   |
| <b>[Uimp] Rated Impulse Withstand Voltage</b>      | 6 kV conforming to IEC 60947-1   |
| <b>[Ie] Rated Operational Current</b>              | 3 A at 240 V, AC-15, A600 conforming to IEC 60947-5-1<br>6 A at 120 V, AC-15, A600 conforming to IEC 60947-5-1<br>0.1 A at 600 V, DC-13, Q600 conforming to IEC 60947-5-1<br>0.27 A at 250 V, DC-13, Q600 conforming to IEC 60947-5-1<br>0.55 A at 125 V, DC-13, Q600 conforming to IEC 60947-5-1<br>1.2 A at 600 V, AC-15, A600 conforming to IEC 60947-5-1   |
| <b>Electrical Durability</b>                       | 1000000 cycles AC-15, 2 A at 230 V, operating rate <3600 cyc/h, load factor: 0.5 conforming to IEC 60947-5-1: appendix C<br>1000000 cycles AC-15, 3 A at 120 V, operating rate <3600 cyc/h, load factor: 0.5 conforming to IEC 60947-5-1: appendix C<br>1000000 cycles AC-15, 4 A at 24 V, operating rate <3600 cyc/h, load factor: 0.5 conforming to IEC 60947-5-1: appendix C<br>1000000 cycles DC-13, 0.2 A at 110 V, operating rate <3600 cyc/h, load factor: 0.5 conforming to IEC 60947-5-1: appendix C<br>1000000 cycles DC-13, 0.5 A at 24 V, operating rate <3600 cyc/h, load factor: 0.5 conforming to IEC 60947-5-1: appendix C |
| <b>Electrical Reliability</b>                      | $\Lambda < 10\text{exp}(-6)$ at 5 V, 1 mA in clean environment conforming to IEC 60947-5-4<br>$\Lambda < 10\text{exp}(-8)$ at 17 V, 5 mA in clean environment conforming to IEC 60947-5-4  |

## Environment

|  |  |
|--|--|
| <b>Protective Treatment</b>                  | TH   |
| <b>Ambient Air Temperature For Storage</b>   | -40...70 °C  |
| <b>Ambient Air Temperature For Operation</b> | -20...60 °C  |
| <b>Overvoltage Category</b>                  | I conforming to IEC 60536  |
| <b>Ip Degree Of Protection</b>               | IP65 conforming to IEC 60529   |
| <b>Nema Degree Of Protection</b>             | NEMA 13<br>NEMA 4X   |
| <b>Ik Degree Of Protection</b>               | IK06 conforming to IEC 50102   |
| <b>Standards</b>                             | IEC 60079-0:2009<br>EN 60079-31:2009<br>IEC 61000-6-2<br>IEC 60079-0:2007<br>IEC 60079-31:2008   |
| <b>Directives</b>                            | 94/9/EC - ATEX directive   |
| <b>Product Certifications</b>                | INERIS 04ATEX9004U   |
| <b>Vibration Resistance</b>                  | 5 gn (f= 2...500 Hz) conforming to IEC 60068-2-6   |
| <b>Shock Resistance</b>                      | 30 gn (duration = 18 ms) for half sine wave acceleration conforming to IEC 60068-2-27<br>50 gn (duration = 11 ms) for half sine wave acceleration conforming to IEC 60068-2-27 |

## Packing Units

|                                     |     |
|-------------------------------------|-----|
| <b>Unit Type Of Package 1</b>       | PCE |
| <b>Number Of Units In Package 1</b> | 1   |

|                              |         |
|------------------------------|---------|
| Package 1 Height             | 3.5 cm  |
| Package 1 Width              | 14 cm   |
| Package 1 Length             | 20 cm   |
| Package 1 Weight             | 117 g   |
| Unit Type Of Package 2       | S02     |
| Number Of Units In Package 2 | 20      |
| Package 2 Height             | 15 cm   |
| Package 2 Width              | 30 cm   |
| Package 2 Length             | 40 cm   |
| Package 2 Weight             | 2.64 kg |

## Contractual warranty

|          |           |
|----------|-----------|
| Warranty | 18 months |
|----------|-----------|

## Sustainability

**Green Premium™ label** is Schneider Electric's commitment to delivering products with best-in-class environmental performance. Green Premium promises compliance with the latest regulations, transparency on environmental impacts, as well as circular and low-CO<sub>2</sub> products.

**Guide to assessing product sustainability** is a white paper that clarifies global eco-label standards and how to interpret environmental declarations.

[Learn more about Green Premium >](#)

[Guide to assess a product's sustainability >](#)



Transparency RoHS/REACH

## Well-being performance

✓ Reach Free Of Svhc

✓ Toxic Heavy Metal Free

✓ Mercury Free

✓ Rohs Exemption Information Yes

## Certifications & Standards

**Reach Regulation**

[REACH Declaration](#)

**Eu Rohs Directive**

Pro-active compliance (Product out of EU RoHS legal scope)

[EU RoHS Declaration](#)

**China Rohs Regulation**

[China RoHS declaration](#)

**Environmental Disclosure**

[Product Environmental Profile](#)

**Weee**

The product must be disposed on European Union markets following specific waste collection and never end up in rubbish bins

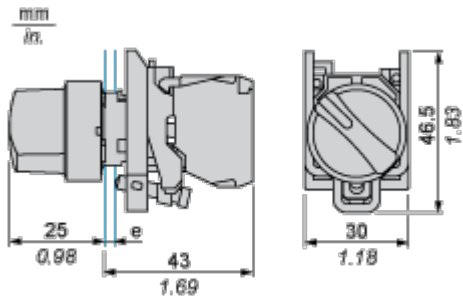
**Circularity Profile**

[End of Life Information](#)

Dimensions Drawings

Selector Switch

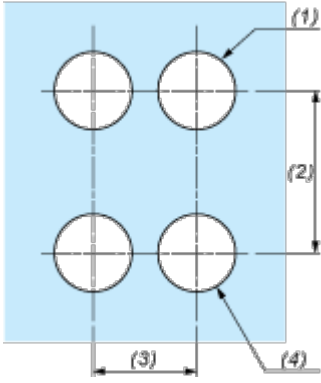
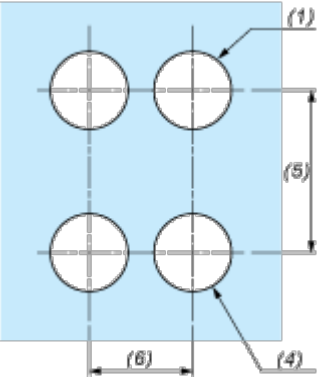
---



e : support thickness: 1 to 6 mm / 0.04 to 0.24 in.

Mounting and Clearance

**Panel Cut-out for Pushbuttons, Switches and Pilot Lights (Finished Holes, Ready for Installation)**

| Connection by Screw Clamp Terminals or Plug-in Connectors or on Printed Circuit Board   | Connection by Faston Connectors  |
|---|--|
|    |  |
| <p>(1) Diameter on finished panel or support</p> <p>(2) 40 mm min. / 1.57 in. min.</p> <p>(3) 30 mm min. / 1.18 in. min.</p> <p>(4) <math>\varnothing 22.5 \text{ mm} / 0.89 \text{ in. recommended } (\varnothing 22.3 \text{ mm }_0^{+0.4} / 0.88 \text{ in. }_0^{+0.016})</math></p> <p>(5) 45 mm min. / 1.78 in. min.</p> <p>(6) 32 mm min. / 1.26 in. min.</p> |  |