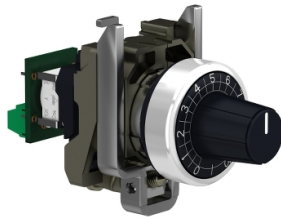


Product datasheet

Specifications



Harmony XB4. Complete potentiometer. metal. Ø22. 100K

XB4BD912R100K

Price: 1,528.67 ZAR

Main

Range Of Product	Harmony XB4
Product Or Component Type	Potentiometer
Device Short Name	XB4
Head Type	Standard
Device Presentation	Complete product

Complementary

Bezel Material	Chromium plated metal
Mounting Diamete	22.5 mm
Product Compatibility	Ø 6 mm shaft
Sale Per Indivisible Quantity	1
Cad Overall Width	30 mm
Cad Overall Height	47 mm
Cad Overall Depth	82 mm
Net Weight	0.095 kg
Protective Treatment	TH
Ambient Air Temperature For Storage	-40...70 °C
Ambient Air Temperature For Operation	-40...70 °C
Electrical Shock Protection Class	Class II conforming to IEC 60536
Ip Degree Of Protection	IP66 conforming to IEC 60529 IP69 conforming to IEC 60529 IP69K conforming to IEC 60529
Nema Degree Of Protection	NEMA 13 NEMA 4X
Resistance To High Pressure Washer	7000000 Pa at 55 °C, distance : 0.1 m
Ik Degree Of Protection	IK06 conforming to IEC 50102
Standards	UL 508 CSA C22.2 No 14 IEC 60947-1
Product Certifications	UL listed CSA BV
Shape Of Signaling Unit Head	Round
Operator Profile	knurled knob, with (white)

Excluding VAT and subject to change. Please check with your local distributor through "Where to buy"

[Us] Rated Supply Voltage	<= 30 V AC <= 42 V DC
Rated Power In W	1 W at 70 °C
Precision Of Internal Conversion Resistor	+/-10%
Potentiometer Characteristic	Linear
Mechanical Durability	50000 cycles
Ohmic Value	100000 Ohm
Material	Cermet
Vibration Resistance	5 gn (f= 2...500 Hz) conforming to IEC 60068-2-6
Shock Resistance	30 gn (duration = 18 ms) for half sine wave acceleration conforming to IEC 60068-2-27 50 gn (duration = 11 ms) for half sine wave acceleration conforming to IEC 60068-2-27
Main Group	Potentiometer
Group Of Product	Potentiometer knurled knob
Colour Of Marking	White

Packing Units

Unit Type Of Package 1	PCE
Number Of Units In Package 1	1
Package 1 Height	5.5 cm
Package 1 Width	9.1 cm
Package 1 Length	4.5 cm
Package 1 Weight	106.0 g
Unit Type Of Package 2	S02
Number Of Units In Package 2	40
Package 2 Height	15.0 cm
Package 2 Width	30.0 cm
Package 2 Length	40.0 cm
Package 2 Weight	4.563 kg

Sustainability

Green Premium™ label is Schneider Electric's commitment to delivering products with best-in-class environmental performance. Green Premium promises compliance with the latest regulations, transparency on environmental impacts, as well as circular and low-CO₂ products.

Guide to assessing product sustainability is a white paper that clarifies global eco-label standards and how to interpret environmental declarations.

[Learn more about Green Premium >](#)

[Guide to assess a product's sustainability >](#)



Transparency RoHS/REACH

Well-being performance

Mercury Free

RoHS Exemption Information Yes

Certifications & Standards

Reach Regulation [REACH Declaration](#)

Eu RoHS Directive Pro-active compliance (Product out of EU RoHS legal scope)

China RoHS Regulation [China RoHS declaration](#)

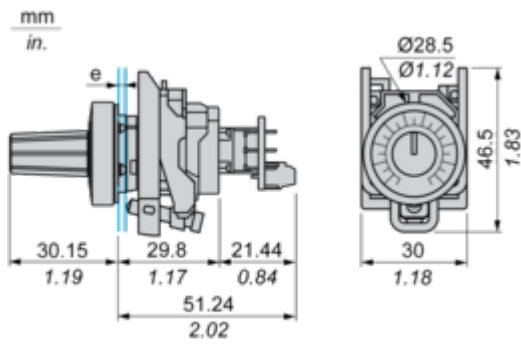
Environmental Disclosure [Product Environmental Profile](#)

Weee The product must be disposed on European Union markets following specific waste collection and never end up in rubbish bins

Circularity Profile [End of Life Information](#)

Dimensions Drawings

Dimensions

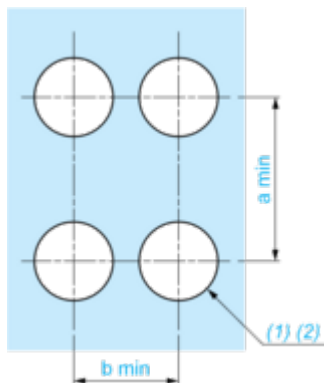


e: Panel thickness: 1 mm to 6 mm / 0.03 in. to 0.24 in

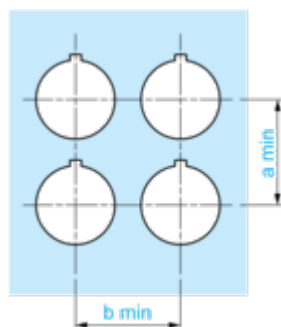
Mounting and Clearance

Panel Cut-out for Pushbuttons, Switches and Pilot Lights (Finished Holes, Ready for Installation)

Connection by Screw Terminals or Plug-in Connectors

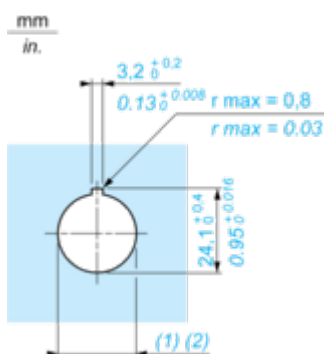


Connection by Faston Connectors



Connections	a in mm	a in in.	b in mm	b in in.
By screw clamp terminals or plug-in connector	40	1.57	30	1.18
By Faston connectors	45	1.77	32	1.26

Detail of Lug Recess



(1) Diameter on finished panel or support

(2) Ø22.5 mm recommended (Ø22.3₀^{+0.4}) / Ø0.89 in. recommended (Ø0.88 in.₀^{+0.016})

