

Product datasheet

Specifications



Complete illuminated push button.
Harmony XB4. metal. flush. green.
Ø22 mm. spring return. booted.
24...254 V AC/DC. 1 NO. ATEX

XB4BP383BM5GEX

Price: 3,821.65 ZAR

Main

Range Of Product	Harmony XB4
Product Or Component Type	Complete illuminated push-button
Device Short Name	XB4
Bezel Material	Chromium plated metal
Fixing Collar Material	Zamak
Mounting Diamete	22 mm
Sale Per Indivisible Quantity	1
Dust Zone	Zone 21 - 22
Gas Zone	Zone 1 - 2
Type Of Operator	spring return
Operator Profile	Green flush
Operator Additional Information	Booted (clear silicon)
Contacts Type And Composition	1 NO

Complementary

Width	46.2 mm
Height	30 mm
Depth	72 mm
Net Weight	0.108 kg
Device Mounting	Fixing hole - diameter: 22.5 mm +/- 0.2 mm conforming to IEC 60947-1
Fixing Center	>= 30 x 40 mm (support panel) - thickness: 1...6 mm
Embedding Depth	58 mm
Marking	Ex db eb mb IIC Gb II 2 GD Ex tb IIIC Db
Shape Of Signaling Unit Head	Round
Contact Operation	Slow-break
Positive Opening	Without
Operating Travel	1.657 mm (engagement point) 4.622 mm (changing state point) 4.452 mm (total travel)
Operating Force	3.962 N
Mechanical Durability	5000000 cycles

Excluding VAT and subject to change. Please check with your local distributor through "Where to buy"

Connections - Terminals	Screw clamp terminals, 2 x 1.5 mm ² with cable end conforming to IEC 60947-1 Screw clamp terminals, 1 x 2.5 mm ² without cable end conforming to IEC 60947-1
Tightening Torque	0.8...1.2 N.m conforming to IEC 60947-1
[Ith] Conventional Free Air Thermal Current	10 A conforming to IEC 60947-5-1
[Ui] Rated Insulation Voltage	415 V
[Ie] Rated Operational Current	1.9 A at 380 V, AC, A600 conforming to IEC 60947-5-1 3 A at 240 V, AC, A600 conforming to IEC 60947-5-1 6 A at 120 V, AC, A600 conforming to IEC 60947-5-1 0.27 A at 250 V, DC, Q300 conforming to IEC 60947-5-1 0.55 A at 125 V, DC, Q300 conforming to IEC 60947-5-1 2.87 A at 24 V, DC, Q300 conforming to IEC 60947-5-1
Signalling Type	Steady
Light Source	Integral LED
[Us] Rated Supply Voltage	24...254 V AC/DC
Current Consumption	2...10 mA
Service Life	100000 h

Environment

Protective Treatment	TH
Ambient Air Temperature For Storage	-40...70 °C
Ambient Air Temperature For Operation	-20...75 °C
Overvoltage Category	I conforming to IEC 60536
Ip Degree Of Protection	IP66 conforming to IEC 60529
Standards	IEC 60079-0:2009 IEC 60079-7:2009 EN/IEC 60079-18:2009 IEC 60079-31:2009 UL 60079-0 UL 60079-18 UL 60079-31 ANSI/ISA 12.12.01 CSA C22.2 No 213
Product Certifications	INERIS 04ATEX9004U

Packing Units

Unit Type Of Package 1	PCE
Number Of Units In Package 1	1
Package 1 Height	3.0 cm
Package 1 Width	11.5 cm
Package 1 Length	15.0 cm
Package 1 Weight	123.0 g

Sustainability

Green Premium™ label is Schneider Electric's commitment to delivering products with best-in-class environmental performance. Green Premium promises compliance with the latest regulations, transparency on environmental impacts, as well as circular and low-CO₂ products.

Guide to assessing product sustainability is a white paper that clarifies global eco-label standards and how to interpret environmental declarations.

[Learn more about Green Premium >](#)

[Guide to assess a product's sustainability >](#)



Transparency RoHS/REACH

Well-being performance

Reach Free Of Svhc

Toxic Heavy Metal Free

Mercury Free

Rohs Exemption Information Yes

Certifications & Standards

Reach Regulation [REACH Declaration](#)

Eu Rohs Directive Pro-active compliance (Product out of EU RoHS legal scope)
[EU RoHS Declaration](#)

China Rohs Regulation [China RoHS declaration](#)

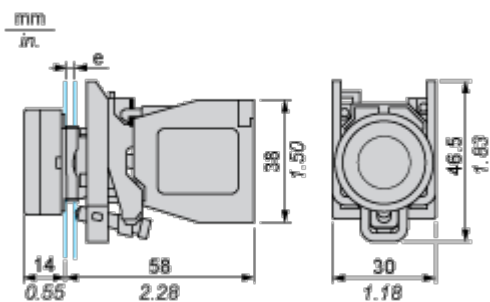
Environmental Disclosure [Product Environmental Profile](#)

Weee The product must be disposed on European Union markets following specific waste collection and never end up in rubbish bins

Circularity Profile [End of Life Information](#)

Dimensions Drawings

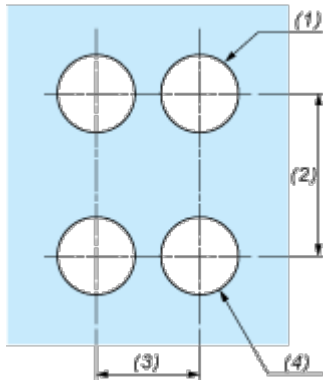
Dimensions



e : support thickness: 1 to 6 mm / 0.04 to 0.24 in.

Mounting and Clearance

Panel Cut-out for Pushbuttons, Switches and Pilot Lights (Finished Holes, Ready for Installation)

Connection by Screw Clamp Terminals

- (1) Diameter on finished panel or support
- (2) 40 mm min. / 1.57 in. min.
- (3) 30 mm min. / 1.18 in. min.
- (4) $\varnothing 22.5 \text{ mm} / 0.89 \text{ in. recommended } (\varnothing 22.3 \text{ mm }_0^{+0.4} / 0.88 \text{ in. }_0^{+0.016})$