

# Product datasheet

Specifications



Complete illuminated push button.  
Harmony XB4. metal. flush. red.  
Ø22 mm. spring return. booted.  
230 V AC. 1 NO. ATEX

XB4BP483M5EX

**Price: 2,140.13 ZAR**

## Main

Range Of Product	Harmony XB4
Product Or Component Type	Complete illuminated push-button
Device Short Name	XB4
Bezel Material	Chromium plated metal
Fixing Collar Material	Zamak
Head Type	Standard
Mounting Diamete	22 mm
Sale Per Indivisible Quantity	1
Dust Zone	Zone 21 - 22
Type Of Operator	spring return
Operator Profile	Red flush
Operator Additional Information	Booted (clear silicon)
Contacts Type And Composition	1 NC

## Complementary

Resistance To High Pressure Washer	7000000 Pa at 55 °C, distance : 0.1 m
Device Mounting	Fixing hole - diameter: 22.5 mm 22.3 +0.4/0 conforming to IEC 60947-1
Fixing Center	>= 30 x 40 mm (support panel)
Fixing Mode	Single screw: 0.8...1.2 N.m
Embedding Depth	43 mm
Marking	Ex tb IIIC
Shape Of Signaling Unit Head	Round
Contact Operation	Slow-break
Positive Opening	With conforming to IEC 60947-5-1 appendix K
Operating Travel	1.5 mm (NC changing electrical state) 4.3 mm (total travel)
Operating Force	3.5 N NC changing electrical state
Mechanical Durability	5000000 cycles
Connections - Terminals	Screw clamp terminals, <= 2 x 1.5 mm <sup>2</sup> with cable end conforming to IEC 60947-1 Screw clamp terminals, 1 x 0.22...2 x 2.5 mm <sup>2</sup> without cable end conforming to IEC 60947-1
Tightening Torque	0.8...1.2 N.m conforming to IEC 60947-1

Excluding VAT and subject to change. Please check with your local distributor through "Where to buy"

<b>Shape Of Screw Head</b>	Cross compatible with Philips no 1 screwdriver Cross compatible with pozidriv No 1 screwdriver Slotted compatible with flat Ø 4 mm screwdriver Slotted compatible with flat Ø 5.5 mm screwdriver
<b>Contacts Material</b>	Silver alloy (Ag/Ni)
<b>Short-Circuit Protection</b>	10 A cartridge fuse type gG conforming to IEC 60947-5-1
<b>[Ith] Conventional Free Air Thermal Current</b>	10 A conforming to IEC 60947-5-1
<b>[Uij] Rated Insulation Voltage</b>	600 V (pollution degree 3) conforming to IEC 60947-1
<b>[Uimp] Rated Impulse Withstand Voltage</b>	6 kV conforming to IEC 60947-1
<b>[Ie] Rated Operational Current</b>	3 A at 240 V, AC-15, A600 conforming to IEC 60947-5-1 6 A at 120 V, AC-15, A600 conforming to IEC 60947-5-1 0.1 A at 600 V, DC-13, Q600 conforming to IEC 60947-5-1 0.27 A at 250 V, DC-13, Q600 conforming to IEC 60947-5-1 0.55 A at 125 V, DC-13, Q600 conforming to IEC 60947-5-1 1.2 A at 600 V, AC-15, A600 conforming to IEC 60947-5-1
<b>Electrical Durability</b>	1000000 cycles AC-15, 2 A at 230 V, operating rate <3600 cyc/h, load factor: 0.5 conforming to IEC 60947-5-1: appendix C 1000000 cycles AC-15, 3 A at 120 V, operating rate <3600 cyc/h, load factor: 0.5 conforming to IEC 60947-5-1: appendix C 1000000 cycles AC-15, 4 A at 24 V, operating rate <3600 cyc/h, load factor: 0.5 conforming to IEC 60947-5-1: appendix C 1000000 cycles DC-13, 0.2 A at 110 V, operating rate <3600 cyc/h, load factor: 0.5 conforming to IEC 60947-5-1: appendix C 1000000 cycles DC-13, 0.5 A at 24 V, operating rate <3600 cyc/h, load factor: 0.5 conforming to IEC 60947-5-1: appendix C
<b>Electrical Reliability</b>	$\Lambda < 10\text{exp}(-6)$ at 5 V, 1 mA in clean environment conforming to IEC 60947-5-4 $\Lambda < 10\text{exp}(-8)$ at 17 V, 5 mA in clean environment conforming to IEC 60947-5-4
<b>Signalling Type</b>	Steady
<b>Light Source</b>	Integral LED
<b>[Us] Rated Supply Voltage</b>	230 V AC 50/60 Hz
<b>Supply Voltage Limits</b>	195...264 V AC
<b>Current Consumption</b>	14 mA
<b>Service Life</b>	100000 h at rated voltage and 25 °C
<b>Surge Withstand</b>	1 kV conforming to IEC 61000-4-5

## Environment

<b>Protective Treatment</b>	TH
<b>Ambient Air Temperature For Storage</b>	-40...70 °C
<b>Ambient Air Temperature For Operation</b>	-40...70 °C
<b>Overvoltage Category</b>	I conforming to IEC 60536
<b>Ip Degree Of Protection</b>	IP65 conforming to IEC 60529
<b>Nema Degree Of Protection</b>	NEMA 13 NEMA 4X
<b>Ik Degree Of Protection</b>	IK05 conforming to IEC 50102
<b>Standards</b>	IEC 60079-0:2009 EN 60079-31:2009 IEC 61000-6-2 IEC 60079-0:2007 IEC 60079-31:2008
<b>Directives</b>	94/9/EC - ATEX directive
<b>Product Certifications</b>	INERIS 04ATEX9004U
<b>Vibration Resistance</b>	5 gn (f= 2...500 Hz) conforming to IEC 60068-2-6

<b>Shock Resistance</b>	30 gn (duration = 18 ms) for half sine wave acceleration conforming to IEC 60068-2-27 50 gn (duration = 11 ms) for half sine wave acceleration conforming to IEC 60068-2-27
<b>Resistance To Fast Transients</b>	2 kV conforming to IEC 61000-4-4
<b>Resistance To Electromagnetic Fields</b>	10 V/m conforming to IEC 61000-4-3
<b>Resistance To Electrostatic Discharge</b>	6 kV on contact (on metal parts) conforming to IEC 61000-4-2 8 kV in free air (in insulating parts) conforming to IEC 61000-4-2
<b>Electromagnetic Emission</b>	Class B conforming to IEC 55011

## Packing Units

<b>Unit Type Of Package 1</b>	PCE
<b>Number Of Units In Package 1</b>	1
<b>Package 1 Height</b>	10.0 cm
<b>Package 1 Width</b>	5.0 cm
<b>Package 1 Length</b>	12.0 cm
<b>Package 1 Weight</b>	87.0 g

## Contractual warranty

<b>Warranty</b>	18 months
-----------------	-----------

## Sustainability

**Green Premium™ label** is Schneider Electric's commitment to delivering products with best-in-class environmental performance. Green Premium promises compliance with the latest regulations, transparency on environmental impacts, as well as circular and low-CO<sub>2</sub> products.

**Guide to assessing product sustainability** is a white paper that clarifies global eco-label standards and how to interpret environmental declarations.

[Learn more about Green Premium >](#)

[Guide to assess a product's sustainability >](#)



Transparency RoHS/REACH

## Well-being performance

✓ Reach Free Of Svhc

✓ Toxic Heavy Metal Free

✓ Mercury Free

✓ Rohs Exemption Information [Yes](#)

## Certifications & Standards

**Reach Regulation**

[REACH Declaration](#)

**Eu Rohs Directive**

Pro-active compliance (Product out of EU RoHS legal scope)

[EU RoHS Declaration](#)

**China Rohs Regulation**

[China RoHS declaration](#)

**Environmental Disclosure**

[Product Environmental Profile](#)

**Weee**

The product must be disposed on European Union markets following specific waste collection and never end up in rubbish bins

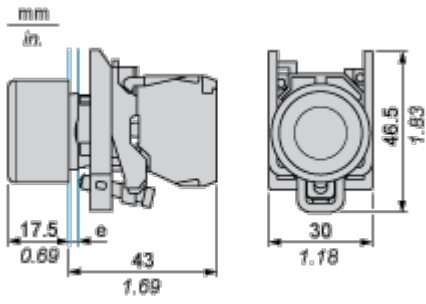
**Circularity Profile**

[End of Life Information](#)

Dimensions Drawings

**Illuminated Pushbutton**

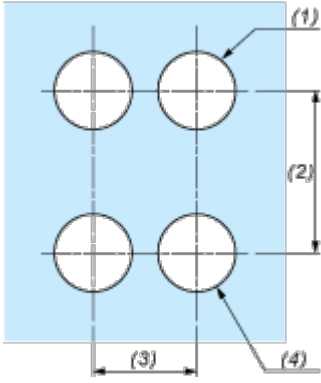
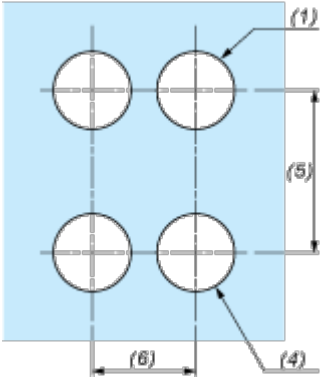
---



e : support thickness: 1 to 6 mm / 0.04 to 0.24 in.

Mounting and Clearance

Panel Cut-out for Pushbuttons, Switches and Pilot Lights (Finished Holes, Ready for Installation)

Connection by Screw Clamp Terminals or Plug-in Connectors or on Printed Circuit Board	Connection by Faston Connectors
	
<p>(1) Diameter on finished panel or support</p> <p>(2) 40 mm min. / 1.57 in. min.</p> <p>(3) 30 mm min. / 1.18 in. min.</p> <p>(4) <math>\varnothing 22.5 \text{ mm} / 0.89 \text{ in. recommended } (\varnothing 22.3 \text{ mm }_0^{+0.4} / 0.88 \text{ in. }_0^{+0.016})</math></p> <p>(5) 45 mm min. / 1.78 in. min.</p> <p>(6) 32 mm min. / 1.26 in. min.</p>	