

Product datasheet

Specifications



Harmony XB4 - ATEX D. Pilot light. metal. green. Ø22. plain lens with integral LED. 24 V AC/DC. ATEX

XB4BVB3EX

Price: 2,225.75 ZAR

Main

Range Of Product	Harmony XB4
Product Or Component Type	Complete pilot light
Device Short Name	XB4
Bezel Material	Chromium plated metal
Fixing Collar Material	Zamak
Head Type	Standard
Mounting Diamete	22 mm
Sale Per Indivisible Quantity	1
Dust Zone	Zone 21 - 22
Operator Additional Information	With plain lens

Complementary

Resistance To High Pressure Washer	7000000 Pa at 55 °C, distance : 0.1 m
Device Mounting	Fixing hole - diameter: 22.5 mm 22.3 +0.4/0
Fixing Center	>= 30 x 40 mm (support panel)
Embedding Depth	43 mm
Marking	Ex tb IIIC
Shape Of Signaling Unit Head	Round
Cap/Operator Or Lens Colour	Green
Connections - Terminals	Screw clamp terminals, <= 2 x 1.5 mm ² with cable end conforming to IEC 60947-1 Screw clamp terminals, 1 x 0.22...2 x 2.5 mm ² without cable end conforming to IEC 60947-1
[Uij] Rated Insulation Voltage	250 V (pollution degree 3) conforming to IEC 60947-1
[Uimp] Rated Impulse Withstand Voltage	4 kV conforming to IEC 60947-1
Signalling Type	Steady
Light Source	Integral LED
Light Source Colour	Green
[Us] Rated Supply Voltage	24 V AC/DC 50/60 Hz
Supply Voltage Limits	19.2...30 V DC 21.6...26.4 V AC
Current Consumption	18 mA
Service Life	100000 h at rated voltage and 25 °C

Excluding VAT and subject to change. Please check with your local distributor through "Where to buy"

Surge Withstand	1 kV conforming to IEC 61000-4-5
-----------------	----------------------------------

Environment

Protective Treatment	TH
----------------------	----

Ambient Air Temperature For Storage	-40...70 °C
-------------------------------------	-------------

Ambient Air Temperature For Operation	-20...60 °C
---------------------------------------	-------------

Overvoltage Category	I conforming to IEC 60536
----------------------	---------------------------

Ip Degree Of Protection	IP65 conforming to IEC 60529
-------------------------	------------------------------

Nema Degree Of Protection	NEMA 13 NEMA 4X
---------------------------	--------------------

Ik Degree Of Protection	IK05 conforming to IEC 50102
-------------------------	------------------------------

Standards	IEC 60079-0:2009 EN 60079-31:2009 IEC 61000-6-2 IEC 60079-0:2007 IEC 60079-31:2008
-----------	--

Directives	94/9/EC - ATEX directive
------------	--------------------------

Product Certifications	INERIS 04ATEX9004U
------------------------	--------------------

Vibration Resistance	5 gn (f= 12...500 Hz) conforming to IEC 60068-2-6
----------------------	---

Shock Resistance	30 gn (duration = 18 ms) for half sine wave acceleration conforming to IEC 60068-2-27 50 gn (duration = 11 ms) for half sine wave acceleration conforming to IEC 60068-2-27
------------------	--

Resistance To Fast Transients	2 kV conforming to IEC 61000-4-4
-------------------------------	----------------------------------

Resistance To Electromagnetic Fields	10 V/m conforming to IEC 61000-4-3
--------------------------------------	------------------------------------

Resistance To Electrostatic Discharge	6 kV on contact (on metal parts) conforming to IEC 61000-4-2 8 kV in free air (in insulating parts) conforming to IEC 61000-4-2
---------------------------------------	--

Electromagnetic Emission	Class B conforming to IEC 55011
--------------------------	---------------------------------

Packing Units

Unit Type Of Package 1	PCE
------------------------	-----

Number Of Units In Package 1	1
------------------------------	---

Package 1 Height	3.0 cm
------------------	--------

Package 1 Width	15.0 cm
-----------------	---------

Package 1 Length	20.0 cm
------------------	---------

Package 1 Weight	90.0 g
------------------	--------

Unit Type Of Package 2	S01
------------------------	-----

Number Of Units In Package 2	10
------------------------------	----

Package 2 Height	15.0 cm
------------------	---------

Package 2 Width	15.0 cm
-----------------	---------

Package 2 Length	40.0 cm
------------------	---------

Package 2 Weight	1.107 kg
------------------	----------

Contractual warranty

Warranty	18 months
----------	-----------

Sustainability

Green Premium™ label is Schneider Electric's commitment to delivering products with best-in-class environmental performance. Green Premium promises compliance with the latest regulations, transparency on environmental impacts, as well as circular and low-CO₂ products.

Guide to assessing product sustainability is a white paper that clarifies global eco-label standards and how to interpret environmental declarations.

[Learn more about Green Premium >](#)

[Guide to assess a product's sustainability >](#)



Transparency RoHS/REACH

Well-being performance

Mercury Free

RoHS Exemption Information Yes

Certifications & Standards

Reach Regulation [REACH Declaration](#)

Eu RoHS Directive Pro-active compliance (Product out of EU RoHS legal scope)

China RoHS Regulation [China RoHS declaration](#)

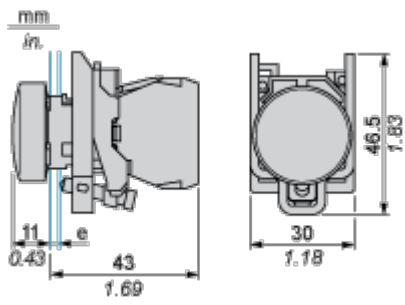
Environmental Disclosure [Product Environmental Profile](#)

Weee The product must be disposed on European Union markets following specific waste collection and never end up in rubbish bins

Circularity Profile [End of Life Information](#)

Dimensions Drawings

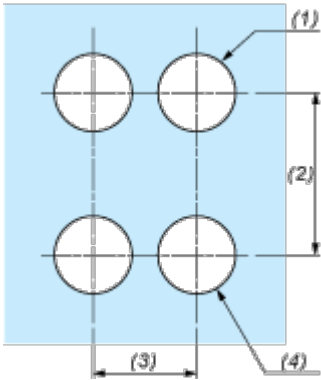
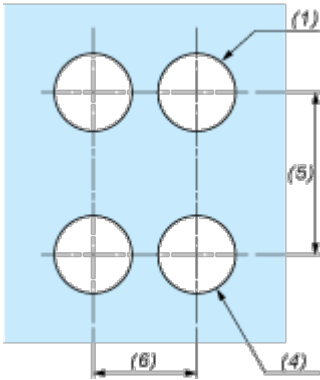
Pilot Light



e : support thickness: 1 to 6 mm / 0.04 to 0.24 in.

Mounting and Clearance

Panel Cut-out for Pushbuttons, Switches and Pilot Lights (Finished Holes, Ready for Installation)

Connection by Screw Clamp Terminals or Plug-in Connectors or on Printed Circuit Board	Connection by Faston Connectors
	
<p>(1) Diameter on finished panel or support</p> <p>(2) 40 mm min. / 1.57 in. min.</p> <p>(3) 30 mm min. / 1.18 in. min.</p> <p>(4) Ø 22.5 mm / 0.89 in. recommended (Ø 22.3 mm $_{0}^{+0.4}$ / 0.88 in. $_{0}^{+0.016}$)</p> <p>(5) 45 mm min. / 1.78 in. min.</p> <p>(6) 32 mm min. / 1.26 in. min.</p>	