

# Product datasheet

Specifications



## Complete pilot light. Harmony XB4. Explosive atmosphere. green LED 24 240 V

XB4BVBM3GEX

**Price: 2,598.73 ZAR**

### Main

Range Of Product	Harmony XB4
Product Or Component Type	Complete pilot light
Device Short Name	XB4
Bezel Material	Chromium plated metal
Fixing Collar Material	Zamak
Mounting Diamete	22 mm
Sale Per Indivisible Quantity	1
Dust Zone	Zone 21 - 22
Gas Zone	Zone 1 - 2
Operator Additional Information	With plain lens

### Complementary

Width	46.2 mm
Height	30 mm
Depth	69 mm
Net Weight	0.083 kg
Device Mounting	Fixing hole - diameter: 22.5 mm +/- 0.2 mm conforming to IEC 60947-1
Fixing Center	>= 30 x 40 mm (support panel) - thickness: 1...6 mm
Embedding Depth	58 mm
Marking	Ex tb IIIC Db II 2 GD Ex eb mb IIC Gb
Shape Of Signaling Unit Head	Round
Cap/Operator Or Lens Colour	Green
Connections - Terminals	Screw clamp terminals, 2 x 1.5 mm <sup>2</sup> with cable end conforming to IEC 60947-1 Screw clamp terminals, 1 x 2.5 mm <sup>2</sup> without cable end conforming to IEC 60947-1
Tightening Torque	0.8...1.2 N.m conforming to IEC 60947-1
Signalling Type	Steady
Light Source	Integral LED
Light Source Colour	Green
[Us] Rated Supply Voltage	24...254 V AC/DC
Service Life	100000 h

Excluding VAT and subject to change. Please check with your local distributor through "Where to buy"

## Environment

Protective Treatment	TH
Ambient Air Temperature For Storage	-40...70 °C
Ambient Air Temperature For Operation	-20...75 °C
Overvoltage Category	I conforming to IEC 60536
Ip Degree Of Protection	IP65 conforming to IEC 60529
Standards	IEC 60079-0:2009 IEC 60079-7:2009 EN/IEC 60079-18:2009 IEC 60079-31:2009 UL 60079-0 UL 60079-18 UL 60079-31 ANSI/ISA 12.12.01 CSA C22.2 No 213
Product Certifications	INERIS 04ATEX9003U

## Packing Units

Unit Type Of Package 1	PCE
Number Of Units In Package 1	1
Package 1 Height	3.0 cm
Package 1 Width	4.5 cm
Package 1 Length	7.5 cm
Package 1 Weight	104.0 g

## Sustainability

**Green Premium™ label** is Schneider Electric's commitment to delivering products with best-in-class environmental performance. Green Premium promises compliance with the latest regulations, transparency on environmental impacts, as well as circular and low-CO<sub>2</sub> products.

**Guide to assessing product sustainability** is a white paper that clarifies global eco-label standards and how to interpret environmental declarations.

[Learn more about Green Premium >](#)

[Guide to assess a product's sustainability >](#)



Transparency RoHS/REACH

## Well-being performance

Mercury Free

RoHS Exemption Information Yes

## Certifications & Standards

Reach Regulation [REACH Declaration](#)

Eu RoHS Directive Pro-active compliance (Product out of EU RoHS legal scope)

China RoHS Regulation [China RoHS declaration](#)

Environmental Disclosure [Product Environmental Profile](#)

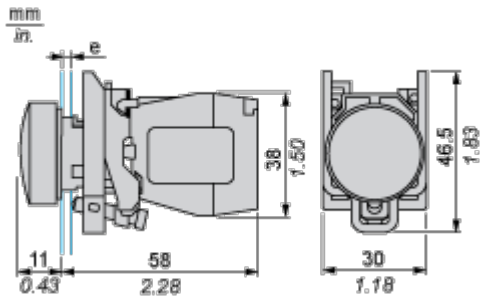
Weee The product must be disposed on European Union markets following specific waste collection and never end up in rubbish bins

Circularity Profile [End of Life Information](#)

Dimensions Drawings

Dimensions

---

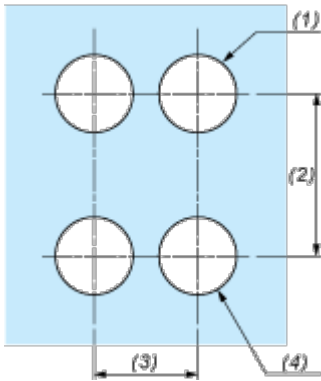


e : support thickness: 1 to 6 mm / 0.04 to 0.24 in.

## Mounting and Clearance

**Panel Cut-out for Pushbuttons, Switches and Pilot Lights (Finished Holes, Ready for Installation)**

---

**Connection by Screw Clamp Terminals**

- (1) Diameter on finished panel or support
- (2) 40 mm min. / 1.57 in. min.
- (3) 30 mm min. / 1.18 in. min.
- (4)  $\varnothing 22.5 \text{ mm} / 0.89 \text{ in. recommended } (\varnothing 22.3 \text{ mm }_0^{+0.4} / 0.88 \text{ in. }_0^{+0.016})$