

Product datasheet

Specifications



Harmony XB4. Wireless push button and configurable receiver with 10 colored caps. metal. Ø22. 24...240 V AC/DC

XB4RFA02

Price: 4,474.10 ZAR

Main

Range Of Product	Harmony XB4R
Product Or Component Type	Wireless and batteryless package
Device Short Name	XB4R
Head Material	Metal
Frequency	2405 MHz for transmitter 2405 MHz for receiver
Emission Class	5M00G7W
Antenna Type	Omnidirectional

Complementary

Control Type	Wireless and batteryless push-button Ø 22 mm assembled on fixing collar
Type Of Receiver	Programmable receiver (2 relays)
[Us] Rated Supply Voltage	24...240 V AC/DC 50/60 Hz
Kit Composition	1 diameter: 22 mm 1 push-button head diameter: 22 mm 1 receiver 1 set of caps 1 fixing collars 1 transmitter
Status Led	1 LED green for power ON 2 LEDs green for relay ON 2 LEDs green for function mode 1 LED green and yellow for reception signal
Communication Port Protocol	Zigbee conforming to IEEE 802.15.4
Max Power Consumption In W	1 mW
Number Of Channels	1
Modulation Technique	O-QPSK
Bandwidth	5 MHz
Antenna Gain	0 dBi
Customizable	No
Compatibility Code	XB4R
[Us] Rated Supply Voltage	24...240 V

Environment

Excluding VAT and subject to change. Please check with your local distributor through "Where to buy"

Product Certifications	GOST CCC CSA UL C-Tick
Marking	CE
Standards	IEC 60947-1 IEC 60947-5-1 CSA C22.2 No 14 UL 508
Radio Agreement	ANATEL FCC RSS ARIB T66 ICASA SRRC

Packing Units

Unit Type Of Package 1	PCE
Number Of Units In Package 1	1
Package 1 Height	9.200 cm
Package 1 Width	10.500 cm
Package 1 Length	10.800 cm
Package 1 Weight	250.000 g
Unit Type Of Package 2	S03
Number Of Units In Package 2	16
Package 2 Height	30.000 cm
Package 2 Width	30.000 cm
Package 2 Length	40.000 cm
Package 2 Weight	4.459 kg

Contractual warranty

Warranty	18 months
-----------------	-----------

Sustainability


Green Premium™ label is Schneider Electric's commitment to delivering products with best-in-class environmental performance. Green Premium promises compliance with the latest regulations, transparency on environmental impacts, as well as circular and low-CO₂ products.

Guide to assessing product sustainability is a white paper that clarifies global eco-label standards and how to interpret environmental declarations.

[Learn more about Green Premium >](#)

[Guide to assess a product's sustainability >](#)

Well-being performance

 Mercury Free

 Rohs Exemption Information [Yes](#)

Reach Regulation [REACH Declaration](#)

Eu Rohs Directive Pro-active compliance (Product out of EU RoHS legal scope)

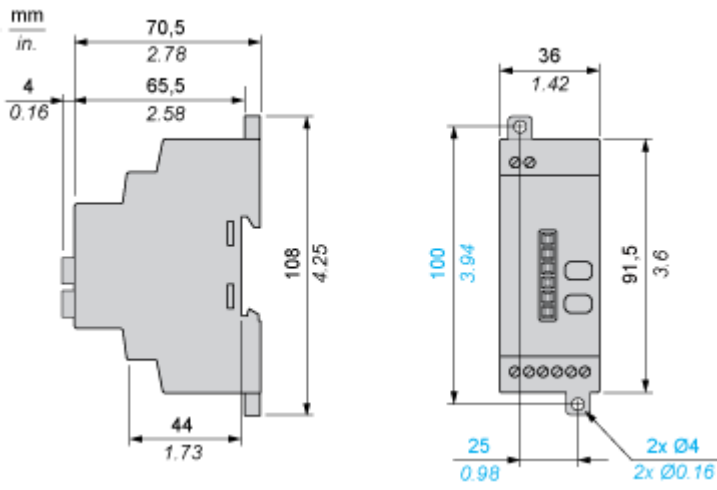
China Rohs Regulation [China RoHS declaration](#)

Weee The product must be disposed on European Union markets following specific waste collection and never end up in rubbish bins

Circularity Profile No need of specific recycling operations

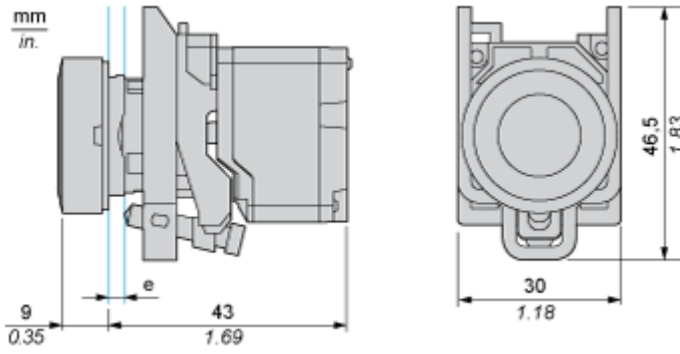
Dimensions Drawings

Programmable Receiver



Wireless and Batteryless Pushbutton - Transmitter

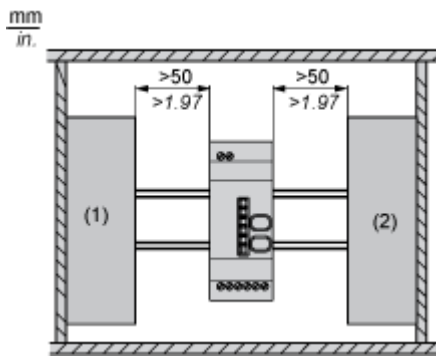
With Metal Pushbutton without Cap



e: panel thickness 1 to 6 mm / 0.039 to 0.24 in.

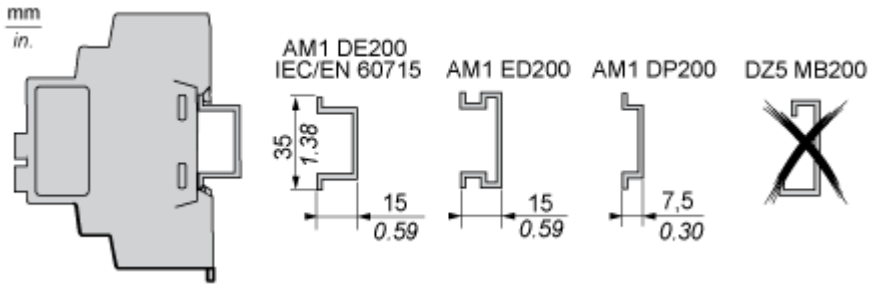
Mounting and Clearance

Receiver Clearance



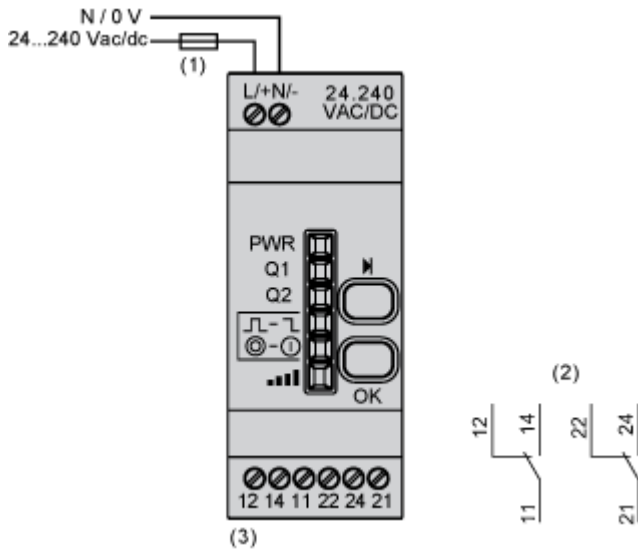
- (1) Drive
- (2) Power Supply or PLC

Receiver Mounting



Connections and Schema

Programmable Receiver



- (1) 500 mA
- (2) Output contacts
- (3) $I_{max} = 3\text{ A}$