

Product datasheet

Specifications



Harmony XB5. Pilot light 3 phases voltage. indicator with 3 LED. red. green. yellow. 400 V AC

XB5EV57K4

Price: 4,674.04 ZAR

Main

Range Of Product	Harmony XB5
Product Or Component Type	Monolithic pilot light
Device Short Name	XB5
Bezel Material	Plastic
Fixing Collar Material	Plastic
Mounting Diamete	30 mm
Sale Per Indivisible Quantity	1
Shape Of Signaling Unit Head	Round
Cap/Operator Or Lens Colour	Clear
Light Source	Protected LED
Bulb Base	Integral LED
Light Source Colour	Green Red Yellow
Network Number Of Phases	3 phases
Device Presentation	Monolithic product

Complementary

Height	65.5 mm
Width	36 mm
Depth	77 mm
Net Weight	0.065 kg
Connections - Terminals	Faston terminals, connection size: 6.3 mm conforming to IEC 60947-1
[Uimp] Rated Impulse Withstand Voltage	1 kV conforming to IEC 61000-4-5
Compatibility Code	XB5
Supply Voltage Limits	450 V AC
Current Consumption	2.6 mA
Service Life	100000 h at rated voltage and 25 °C
Surge Withstand	1 kV conforming to IEC 61000-4-5

Environment

Ambient Air Temperature For Storage	-40...70 °C
-------------------------------------	-------------

Excluding VAT and subject to change. Please check with your local distributor through "Where to buy"

Ambient Air Temperature For Operation	-30...70 °C
Ip Degree Of Protection	IP67 (front face) IP20 (back face)
Ik Degree Of Protection	IK10 conforming to IEC 50102
Standards	IEC 60947-5-1 IEC 60947-1 IEC 60947-5-4
Resistance To Fast Transients	2 kV conforming to IEC 61000-4-4
Resistance To Electromagnetic Fields	10 V/m conforming to IEC 61000-4-3
Electromagnetic Compatibility	Electrostatic discharge - test level: 8 kV (in free air (in insulating parts)) conforming to IEC 61000-4-2 Electrostatic discharge - test level: 4 kV (on contact (on metal parts)) conforming to IEC 61000-4-2

Packing Units

Unit Type Of Package 1	PCE
Number Of Units In Package 1	1
Package 1 Height	4.1 cm
Package 1 Width	4.5 cm
Package 1 Length	8.0 cm
Package 1 Weight	60.0 g
Unit Type Of Package 2	S01
Number Of Units In Package 2	50
Package 2 Height	15.0 cm
Package 2 Width	15.0 cm
Package 2 Length	40.0 cm
Package 2 Weight	3.359 kg

Sustainability


Green Premium™ label is Schneider Electric's commitment to delivering products with best-in-class environmental performance. Green Premium promises compliance with the latest regulations, transparency on environmental impacts, as well as circular and low-CO₂ products.

Guide to assessing product sustainability is a white paper that clarifies global eco-label standards and how to interpret environmental declarations.

[Learn more about Green Premium >](#)

[Guide to assess a product's sustainability >](#)

Well-being performance

 Mercury Free

 Rohs Exemption Information [Yes](#)

Reach Regulation [REACH Declaration](#)

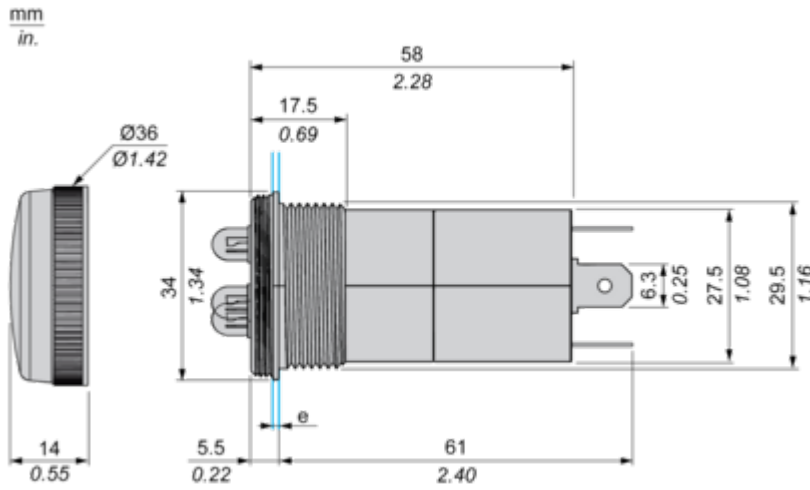
Eu Rohs Directive Pro-active compliance (Product out of EU RoHS legal scope)

China Rohs Regulation [China RoHS declaration](#)

Weee The product must be disposed on European Union markets following specific waste collection and never end up in rubbish bins

Dimensions Drawings

Dimensions

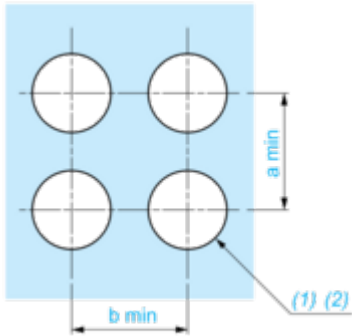


(e) clamp thickness max. 6mm / 0.24 in.

Mounting and Clearance

Panel Cut-out for Pilot Light(Finished Holes, Ready for Installation)

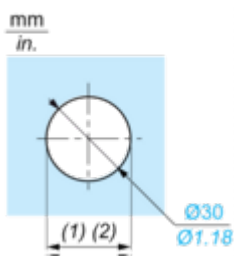
Connection by Faston Connectors



- (1) Diameter on finished panel or support
- (2) Ø30 mm recommended / Ø1.2 in. recommended

Connections	a in mm	a in in.	b in mm	b in in.
By Faston Connectors	40	1.57	40	1.57

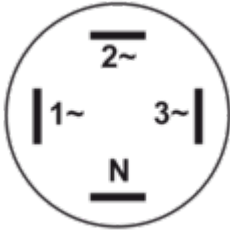
Panel Cut-out



- (1) Diameter on finished panel or support
- (2) Ø30 mm recommended / Ø1.2 in. recommended

Connections and Schema

Wiring Diagram



- (1) Phase 1
- (2) Phase 2
- (3) Phase 3
- (N) Neutral