

Product datasheet

Specifications



Harmony XB5. Wireless push button and non-configurable receiver. plastic. Ø22. with 1 black cap. 24 V DC

XB5RFB01

Price: 3,363.41 ZAR

Main

Range Of Product	Harmony XB5R
Product Or Component Type	Wireless and batteryless package
Device Short Name	XB5R
Head Material	Plastic
Frequency	2405 MHz for transmitter 2405 MHz for receiver
Emission Class	5M00G7W
Antenna Type	Omnidirectional

Complementary

Control Type	Wireless and batteryless push-button Ø 22 mm assembled on fixing collar
Type Of Receiver	Non-programmable receiver (1 relay)
[Us] Rated Supply Voltage	24 V DC
Kit Composition	1 transmitter 1 set of caps 1 receiver 1 fixing collars 1 diameter: 22 mm 1 push-button head diameter: 22 mm
Communication Port Protocol	Zigbee conforming to IEEE 802.15.4
Max Power Consumption In W	1 mW
Number Of Channels	1
Modulation Technique	O-QPSK
Bandwidth	5 MHz
Antenna Gain	0 dBi
Customizable	No
Compatibility Code	XB5R
[Us] Rated Supply Voltage	24 V

Environment

Product Certifications	UL C-Tick GOST CSA CCC
Marking	CE

Excluding VAT and subject to change. Please check with your local distributor through "Where to buy"

Standards	IEC 60947-5-1 CSA C22.2 No 14 IEC 60947-1 UL 508
------------------	---

Radio Agreement	SRRC ICASA RSS ANATEL FCC ARIB T66
------------------------	---

Packing Units

Unit Type Of Package 1	PCE
-------------------------------	-----

Number Of Units In Package 1	1
-------------------------------------	---

Package 1 Height	9.300 cm
-------------------------	----------

Package 1 Width	10.500 cm
------------------------	-----------

Package 1 Length	10.800 cm
-------------------------	-----------

Package 1 Weight	195.000 g
-------------------------	-----------

Unit Type Of Package 2	S03
-------------------------------	-----

Number Of Units In Package 2	16
-------------------------------------	----

Package 2 Height	30.000 cm
-------------------------	-----------

Package 2 Width	30.000 cm
------------------------	-----------

Package 2 Length	40.000 cm
-------------------------	-----------

Package 2 Weight	3.666 kg
-------------------------	----------

Contractual warranty

Warranty	18 months
-----------------	-----------

Sustainability

Green Premium™ label is Schneider Electric's commitment to delivering products with best-in-class environmental performance. Green Premium promises compliance with the latest regulations, transparency on environmental impacts, as well as circular and low-CO₂ products.

Guide to assessing product sustainability is a white paper that clarifies global eco-label standards and how to interpret environmental declarations.

[Learn more about Green Premium >](#)

[Guide to assess a product's sustainability >](#)



Transparency RoHS/REACH

Well-being performance

Mercury Free

RoHS Exemption Information Yes

Certifications & Standards

Reach Regulation [REACH Declaration](#)

Eu RoHS Directive Pro-active compliance (Product out of EU RoHS legal scope)

China RoHS Regulation [China RoHS declaration](#)

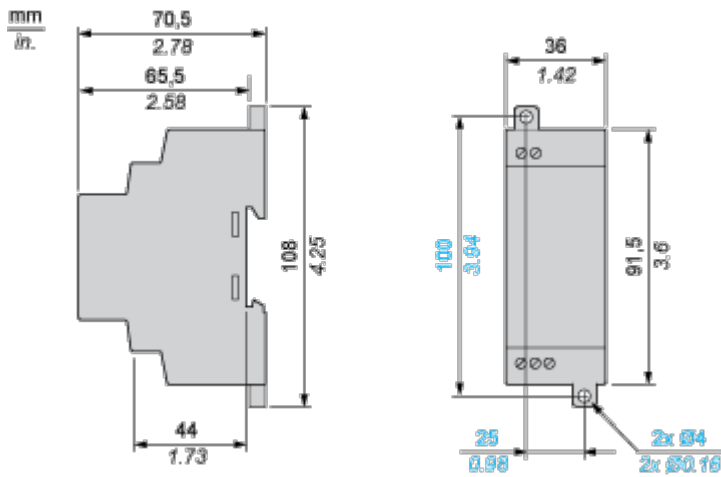
Environmental Disclosure [Product Environmental Profile](#)

Weee The product must be disposed on European Union markets following specific waste collection and never end up in rubbish bins

Circularity Profile [End of Life Information](#)

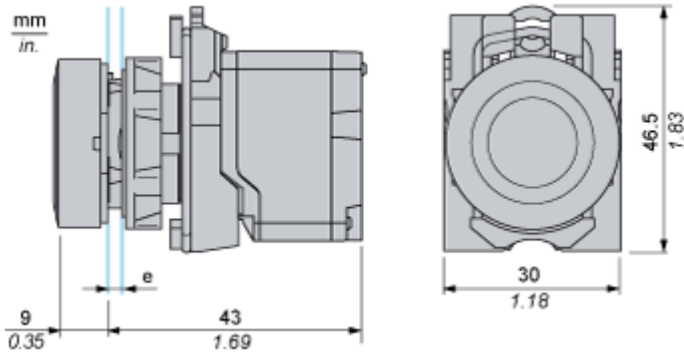
Dimensions Drawings

Non-Programmable Receiver



Wireless and Batteryless Pushbutton - Transmitter

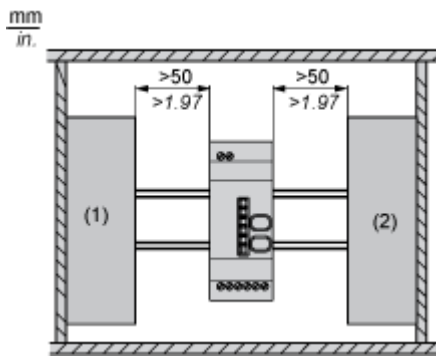
With Plastic Pushbutton without Cap



e: panel thickness 1 to 6 mm / 0.039 to 0.24 in.

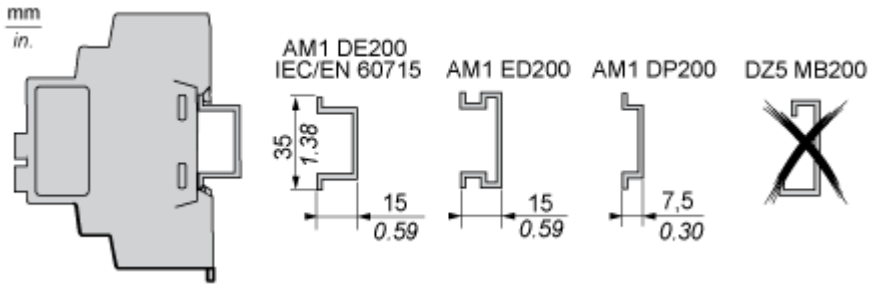
Mounting and Clearance

Receiver Clearance



- (1) Drive
- (2) Power Supply or PLC

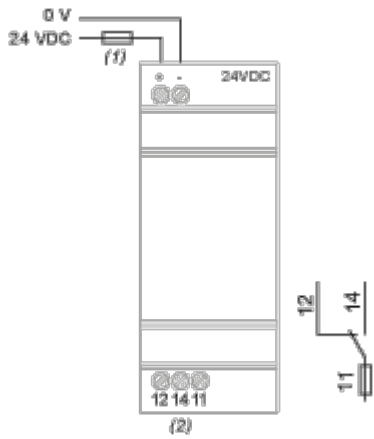
Receiver Mounting



Connections and Schema

Non-Programmable Receiver

Wiring Diagram



- (1) 125 mA fast-blow fuse
- (2) $I_{max} = 3 \text{ A}$