

Product datasheet

Specifications



Monolithic push button. Harmony XB6E. round red pushbutton Ø 16. flush spring return. 1OC

XB6EAA41P

Price: 382.17 ZAR

Main

Range Of Product	Harmony XB6E
Product Or Component Type	Monolithic push-button
Device Short Name	XB6E
Bezel Material	Plastic
Mounting Diamete	16 mm
Sale Per Indivisible Quantity	5
Shape Of Signaling Unit Head	Round
Type Of Operator	spring return
Operator Profile	Red flush
Contacts Type And Composition	1 C/O
Contact Operation	Snap action
Connections - Terminals	Insulated faston, connection size: 2.8 x 0.5 mm Solder terminal, clamping capacity: <= 0.75 mm ² AWG 19 Fast connector socket
Contacts Material	Gold-flashed silver

Complementary

Net Weight	0.006 kg
Overvoltage Category	II conforming to IEC 60536
Operating Position	Any position
Marking	CE
Mechanical Durability	1000000 cycles
Tightening Torque	0.6...1 N.m
Contact Resistance	50 mOhm at 1/6 V
Short-Circuit Protection	2 A cartridge fuse type gG
[I _{th}] Conventional Free Air Thermal Current	3 A (fast connector socket) 5 A
[I _e] Rated Operational Current	1.5 A at 120 V, AC-12 conforming to IEC 60947-5-1 1 A at 240 V, AC-12 conforming to IEC 60947-5-1 0.7 A at 240 V, AC-13 conforming to IEC 60947-5-1 1 A at 120 V, AC-13 conforming to IEC 60947-5-1 1 A at 24 V, DC-12 conforming to IEC 60947-5-1 0.7 A at 24 V, DC-13 conforming to IEC 60947-5-1 0.2 A at 125 V, DC-12 conforming to IEC 60947-5-1 0.15 A at 125 V, DC-13 conforming to IEC 60947-5-1
Electrical Durability	100000 cycles, AC, 0.7 A at 220 V conforming to IEC 60947-5-1 appendix C

Excluding VAT and subject to change. Please check with your local distributor through "Where to buy"

Environment

Ambient Air Temperature For Storage	-40...70 °C
Ambient Air Temperature For Operation	-10...55 °C
Ip Degree Of Protection	IP65 conforming to IEC 60529
Standards	IEC 60947-5-1 UL 508 IEC 60947-1 JIS C 4520 CSA C22.2 No 14 JIS C 852
Product Certifications	CCC cURus
Vibration Resistance	1 mm (f= 10...55 Hz) conforming to IEC 60068-2-6
Shock Resistance	10 gn (duration = 11 ms) for half sine wave acceleration conforming to IEC 60068-2-27

Packing Units

Unit Type Of Package 1	PCE
Number Of Units In Package 1	1
Package 1 Height	9 cm
Package 1 Width	3 cm
Package 1 Length	20 cm
Package 1 Weight	10 g
Unit Type Of Package 2	BAG
Number Of Units In Package 2	5
Package 2 Height	9 cm
Package 2 Width	3 cm
Package 2 Length	20 cm
Package 2 Weight	0.054 kg
Unit Type Of Package 3	S01
Number Of Units In Package 3	50
Package 3 Height	15 cm
Package 3 Width	15 cm
Package 3 Length	40 cm
Package 3 Weight	691 g

Contractual warranty

Warranty	18 months
----------	-----------

Sustainability

Green Premium™ label is Schneider Electric's commitment to delivering products with best-in-class environmental performance. Green Premium promises compliance with the latest regulations, transparency on environmental impacts, as well as circular and low-CO₂ products.

Guide to assessing product sustainability is a white paper that clarifies global eco-label standards and how to interpret environmental declarations.

[Learn more about Green Premium >](#)

[Guide to assess a product's sustainability >](#)

Well-being performance

✓ Reach Free Of Svhc

✓ Toxic Heavy Metal Free

✓ Mercury Free

✓ Rohs Exemption Information [Yes](#)

Reach Regulation [REACH Declaration](#)

Eu Rohs Directive Pro-active compliance (Product out of EU RoHS legal scope)
[EU RoHS Declaration](#)

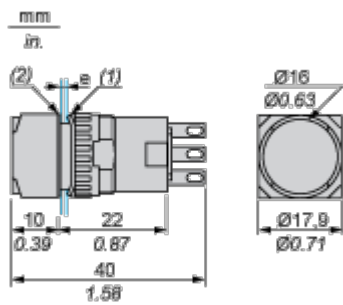
China Rohs Regulation [China RoHS declaration](#)

Weee The product must be disposed on European Union markets following specific waste collection and never end up in rubbish bins

Dimensions Drawings

Pushbutton

Circular Head



- (1) Anti-rotation plate (thickness: 0.6 mm / 0.02 in.)
(2) Seal (thickness: 0.5 mm / 0.01 in.)
e panel thickness: 0.5 mm (0.01 in.) ≤ e ≤ 6 mm (0.24 in.)

Mounting and Clearance

Panel Cut-Out and Mounting

Circular or Square Head

