

Product datasheet

Specifications



Monolithic selector switch. Harmony XB6E. round black key Ø 16 projecting keylock 3 positions 2CO

XB6EAG232P

Price: 684.86 ZAR

Main

Range Of Product	Harmony XB6E
Product Or Component Type	Monolithic selector switch
Device Short Name	XB6E
Bezel Material	Plastic
Mounting Diamete	16 mm
Sale Per Indivisible Quantity	5
Shape Of Signaling Unit Head	Round
Type Of Operator	stay put
Operator Profile	key switch
Operator Position Information	3 positions
Key Number	132
Key Withdrawal Position	In any position
Contacts Type And Composition	2 C/O
Contact Operation	Snap action
Connections - Terminals	Insulated faston, connection size: 2.8 x 0.5 mm Solder terminal, clamping capacity: <= 0.75 mm² AWG 19 Fast connector socket
Contacts Material	Gold-flashed silver

Complementary

Net Weight	0.02 kg
Overvoltage Category	II conforming to IEC 60536
Marking	CE
Mechanical Durability	250000 cycles
Tightening Torque	0.6...1 N.m
Contact Resistance	50 mOhm at 1/6 V
Short-Circuit Protection	2 A cartridge fuse type gG
[I _{th}] Conventional Free Air Thermal Current	3 A (fast connector socket) 5 A

Excluding VAT and subject to change. Please check with your local distributor through "Where to buy"

[Ie] Rated Operational Current	1.5 A at 120 V, AC-12 conforming to IEC 60947-5-1 1 A at 240 V, AC-12 conforming to IEC 60947-5-1 0.7 A at 240 V, AC-13 conforming to IEC 60947-5-1 1 A at 120 V, AC-13 conforming to IEC 60947-5-1 1 A at 24 V, DC-12 conforming to IEC 60947-5-1 0.7 A at 24 V, DC-13 conforming to IEC 60947-5-1 0.2 A at 125 V, DC-12 conforming to IEC 60947-5-1 0.15 A at 125 V, DC-13 conforming to IEC 60947-5-1
Electrical Durability	100000 cycles, AC, 0.7 A at 220 V conforming to IEC 60947-5-1 appendix C

Environment

Ambient Air Temperature For Storage	-40...70 °C
Ambient Air Temperature For Operation	-10...55 °C
Ip Degree Of Protection	IP65 conforming to IEC 60529
Standards	UL 508 JIS C8201-5-1 JIS C 852 IEC 60947-5-1 CSA C22.2 No 14 IEC 60947-1 JIS C8201-1
Product Certifications	cURus CCC
Vibration Resistance	1 mm (f= 10...55 Hz) conforming to IEC 60068-2-6
Shock Resistance	10 gn (duration = 11 ms) for half sine wave acceleration conforming to IEC 60068-2-27

Packing Units

Unit Type Of Package 1	PCE
Number Of Units In Package 1	1
Package 1 Height	2.8 cm
Package 1 Width	7.3 cm
Package 1 Length	18.5 cm
Package 1 Weight	23.0 g
Unit Type Of Package 2	BAG
Number Of Units In Package 2	5
Package 2 Height	2.8 cm
Package 2 Width	7.3 cm
Package 2 Length	18.5 cm
Package 2 Weight	115.0 g
Unit Type Of Package 3	S01
Number Of Units In Package 3	50
Package 3 Height	15.0 cm
Package 3 Width	15.0 cm
Package 3 Length	40.0 cm
Package 3 Weight	1.375 kg

Contractual warranty

Warranty	18 months
-----------------	-----------

Sustainability

Green Premium™ label is Schneider Electric's commitment to delivering products with best-in-class environmental performance. Green Premium promises compliance with the latest regulations, transparency on environmental impacts, as well as circular and low-CO₂ products.

Guide to assessing product sustainability is a white paper that clarifies global eco-label standards and how to interpret environmental declarations.

[Learn more about Green Premium >](#)

[Guide to assess a product's sustainability >](#)

Well-being performance

✓ Reach Free Of Svhc

✓ Toxic Heavy Metal Free

✓ Mercury Free

✓ Rohs Exemption Information [Yes](#)

Reach Regulation [REACH Declaration](#)

Eu Rohs Directive Pro-active compliance (Product out of EU RoHS legal scope)
[EU RoHS Declaration](#)

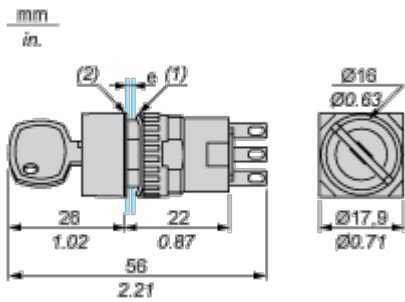
China Rohs Regulation [China RoHS declaration](#)

Weee The product must be disposed on European Union markets following specific waste collection and never end up in rubbish bins

Dimensions Drawings

Key Switch

Circular Head



(1) Anti-rotation plate (thickness: 0.6 mm / 0.02 in.)

(2) Seal (thickness: 0.5 mm / 0.01 in.)

e panel thickness: 0.5 mm (0.01 in.) ≤ e ≤ 6 mm (0.24 in.)

Mounting and Clearance

Panel Cut-Out and Mounting

Circular or Square Head

