

Product datasheet

Specifications



Harmony XVR. Illuminated beacon without buzzer. blue. Ø100. integral LED. 48 V DC

XVR3E06

Price: 3,521.57 ZAR

Main

Range Of Product	Harmony XVR
Product Or Component Type	Beacon
Device Short Name	XVR3
Beacon Or Indicator Bank Unit Type	LED unit
Mounting Diameter	100 mm
Light Source	LED, blue
Device Application	Forklift Automated guided vehicle (AGV) Bulldozer

Complementary

Signalling Type	Rotating Flashing Blinking
Assembly Style	Ready assembled
Material	PC (polycarbonate): lenses PBT (polybutylene terephthalate) + PC (polycarbonate): body EPDM (ethylene propylene diene monomer): base
[Us] Rated Supply Voltage	48 V DC
[Ue] Rated Operational Voltage	35...60 V DC
Inrush Current	1 A
Power Consumption In W	3 W
Marking	CE
Installation Direction	Upright indoor Sideways indoor Inverted indoor Upright outdoor
Electrical Insulation Class	Class II
Current Consumption	1000 mA
Length	100 mm
Width	100 mm
Height	139 mm
Net Weight	0.484 kg

Environment

Product Certifications	CCC
------------------------	-----

Excluding VAT and subject to change. Please check with your local distributor through "Where to buy"

Ambient Air Temperature For Operation	-20...50 °C
Ambient Air Temperature For Storage	-35...70 °C
Relative Humidity	35...85 % without condensation
Vibration Resistance	4.6 gn (sideways) 4.6 gn (inverted) 7.1 gn (upright)
Ip Degree Of Protection	IP65 (upright) IP23 (sideways) IP23 (inverted)

Packing Units

Unit Type Of Package 1	PCE
Number Of Units In Package 1	1
Package 1 Height	10.2 cm
Package 1 Width	15.6 cm
Package 1 Length	10.2 cm
Package 1 Weight	546.0 g
Unit Type Of Package 2	CAR
Number Of Units In Package 2	8
Package 2 Height	10.2 cm
Package 2 Width	15.6 cm
Package 2 Length	10.2 cm
Package 2 Weight	4.368 kg

Sustainability

Green Premium™ label is Schneider Electric's commitment to delivering products with best-in-class environmental performance. Green Premium promises compliance with the latest regulations, transparency on environmental impacts, as well as circular and low-CO₂ products.

Guide to assessing product sustainability is a white paper that clarifies global eco-label standards and how to interpret environmental declarations.

[Learn more about Green Premium >](#)

[Guide to assess a product's sustainability >](#)



Transparency RoHS/REACH

Well-being performance

Toxic Heavy Metal Free

Mercury Free

Rohs Exemption Information [Yes](#)

Certifications & Standards

Reach Regulation [REACH Declaration](#)

Eu Rohs Directive [Pro-active compliance \(Product out of EU RoHS legal scope\)](#)
[EU RoHS Declaration](#)

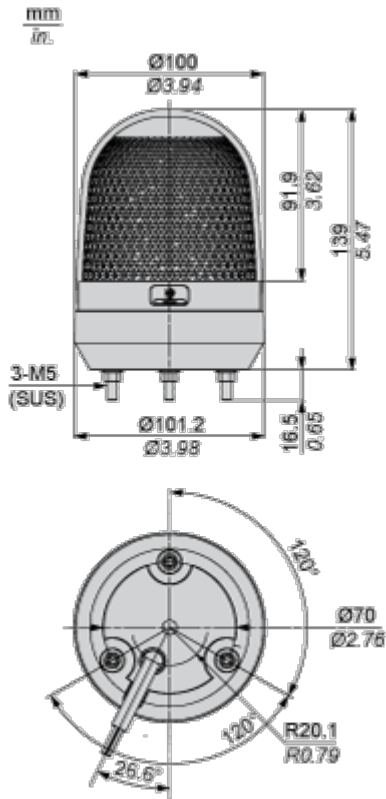
China Rohs Regulation [China RoHS declaration](#)

Environmental Disclosure [Product Environmental Profile](#)

Circularity Profile [End of Life Information](#)

Dimensions Drawings

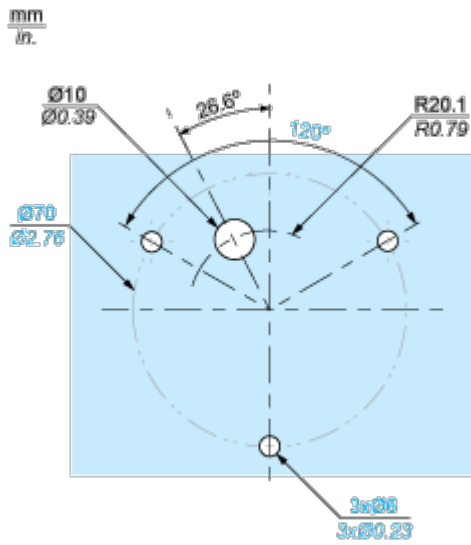
Dimensions



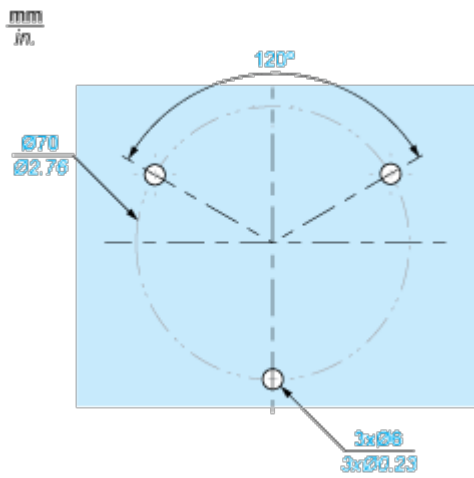
Mounting and Clearance

Panel Cut-out

Straight wiring

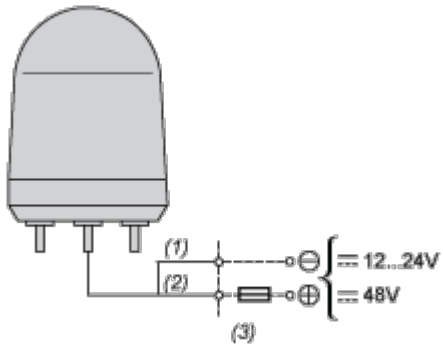


Side wiring



Connections and Schema

Wiring Diagram



- (1) Black
- (2) White
- (3) Fuse(Rated Current>2A)