

# Product datasheet

Specifications



Harmony XVR. Illuminated beacon with buzzer. blue. Ø100. 70...90 dB. integral LED. 100...230 V AC

XVR3M06S

**Price: 3,938.67 ZAR**

## Main

Range Of Product	Harmony XVR
Product Or Component Type	Beacon
Device Short Name	XVR3
Beacon Or Indicator Bank Unit Type	LED unit
Sound Signalling	Buzzer: 70...90 dB at 1 m
Mounting Diamete	100 mm
Light Source	LED, blue
Device Application	Automated guided vehicle (AGV) Forklift Bulldozer

## Complementary

Signalling Type	Blinking Rotating Flashing
Assembly Style	Ready assembled
Material	PC (polycarbonate): lenses PBT (polybutylene terephthalate) + PC (polycarbonate): body EPDM (ethylene propylene diene monomer): base
[Us] Rated Supply Voltage	100...230 V AC
[Ue] Rated Operational Voltage	90...253 V AC
Inrush Current	0.5 A
Power Consumption In W	3.2 W
Marking	CE
Installation Direction	Upright indoor Sideways indoor Inverted indoor Upright outdoor
Electrical Insulation Class	Class II
Current Consumption	500 mA
Length	100 mm
Width	100 mm
Height	139 mm
Net Weight	0.538 kg

## Environment

Excluding VAT and subject to change. Please check with your local distributor through "Where to buy"

<b>Product Certifications</b>	CCC
<b>Ambient Air Temperature For Operation</b>	-10...50 °C
<b>Ambient Air Temperature For Storage</b>	-20...70 °C
<b>Relative Humidity</b>	35...85 % without condensation
<b>Vibration Resistance</b>	4.6 gn (sideways) 4.6 gn (inverted) 4.6 gn (upright)
<b>Ip Degree Of Protection</b>	IP23 (sideways) IP23 (inverted) IP23 (upright)

## Packing Units

<b>Unit Type Of Package 1</b>	PCE
<b>Number Of Units In Package 1</b>	1
<b>Package 1 Height</b>	18.1 cm
<b>Package 1 Width</b>	13.6 cm
<b>Package 1 Length</b>	13.6 cm
<b>Package 1 Weight</b>	678.0 g
<b>Unit Type Of Package 2</b>	S04
<b>Number Of Units In Package 2</b>	8
<b>Package 2 Height</b>	30.0 cm
<b>Package 2 Width</b>	40.0 cm
<b>Package 2 Length</b>	60.0 cm
<b>Package 2 Weight</b>	6.446 kg

## Sustainability

**Green Premium™ label** is Schneider Electric's commitment to delivering products with best-in-class environmental performance. Green Premium promises compliance with the latest regulations, transparency on environmental impacts, as well as circular and low-CO<sub>2</sub> products.

**Guide to assessing product sustainability** is a white paper that clarifies global eco-label standards and how to interpret environmental declarations.

[Learn more about Green Premium >](#)

[Guide to assess a product's sustainability >](#)



Transparency RoHS/REACH

## Well-being performance

Toxic Heavy Metal Free

Mercury Free

Rohs Exemption Information [Yes](#)

## Certifications & Standards

Reach Regulation [REACH Declaration](#)

Eu Rohs Directive [Pro-active compliance \(Product out of EU RoHS legal scope\)](#)  
[EU RoHS Declaration](#)

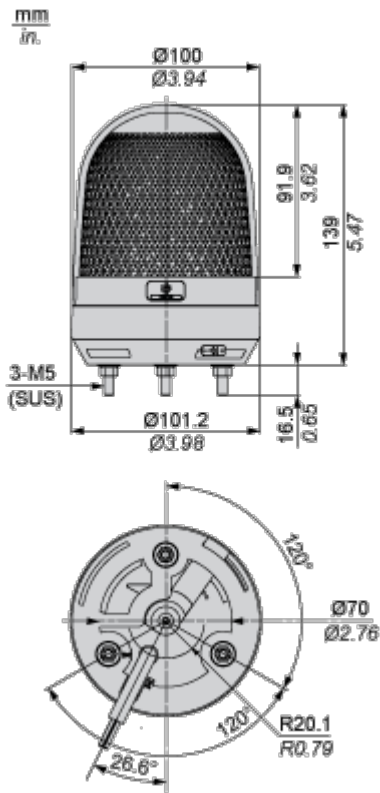
China Rohs Regulation [China RoHS declaration](#)

Environmental Disclosure [Product Environmental Profile](#)

Circularity Profile [End of Life Information](#)

Dimensions Drawings

Dimensions

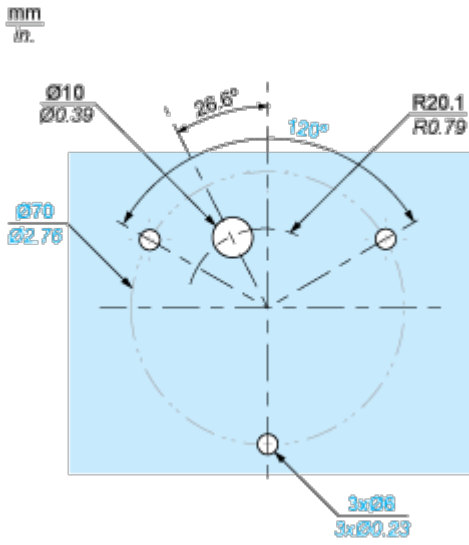


Mounting and Clearance

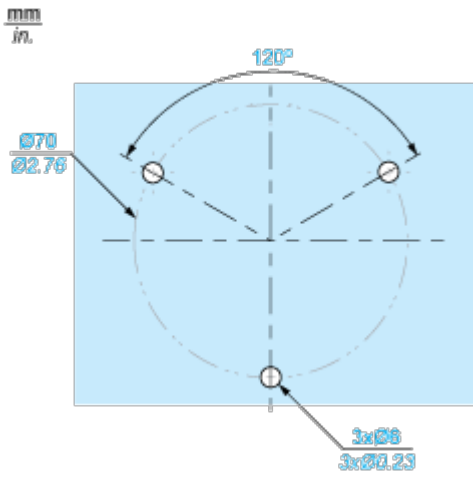
Panel Cut-out

---

Straight wiring



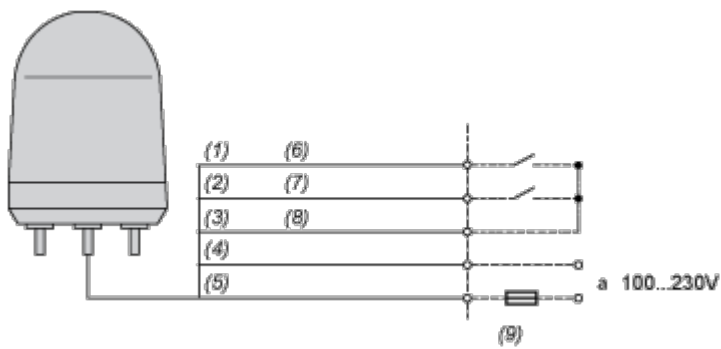
Side wiring



Connections and Schema

Wiring Diagram

---



- (1) Green
- (2) Red
- (3) Yellow
- (4) Black
- (5) White
- (6) LED
- (7) Buzzer
- (8) Com
- (9) Fuse(Rated Current>2A)