

# Product datasheet

Specifications



Harmony XVU. Illuminated LED unit for modular tower lights. blue. Ø60. steady. IP65. 24 V AC/DC

XVUC26

**Price: 1,322.12 ZAR**

## Main

Range Of Product	Harmony XVU
Product Or Component Type	Modular tower light
Beacon Or Indicator Bank Unit Type	LED unit
Mounting Diamete	60 mm
Component Name	XVU
Light Source	LED, blue
Device Application	Packaging machine Automotive Machine tools

## Complementary

Signalling Type	Steady
Assembly Style	Up to 4 units with buzzer Customer assembly, up to 5 units
Material	PC (polycarbonate) V-2 conforming to UL 94 PC (polycarbonate) V-0 conforming to UL 94
[Us] Rated Supply Voltage	24 V AC/DC
Maximum Power Dissipation In W	2.5 W
Current Consumption	<= 50 mA
Signalling Type	Steady
Length	50 mm
Net Weight	0.064 kg

## Environment

Product Certifications	UL CE CSA
Ambient Air Temperature For Storage	-40...70 °C
Ip Degree Of Protection	IP65
Ambient Air Temperature For Operation	-25...50 °C
Vibration Resistance	2 gn

## Packing Units

Unit Type Of Package 1	PCE
------------------------	-----

Excluding VAT and subject to change. Please check with your local distributor through "Where to buy"

<b>Number Of Units In Package 1</b>	1
<b>Package 1 Height</b>	9.1 cm
<b>Package 1 Width</b>	13.3 cm
<b>Package 1 Length</b>	9 cm
<b>Package 1 Weight</b>	150 g
<b>Unit Type Of Package 2</b>	S03
<b>Number Of Units In Package 2</b>	24
<b>Package 2 Height</b>	30 cm
<b>Package 2 Width</b>	30 cm
<b>Package 2 Length</b>	40 cm
<b>Package 2 Weight</b>	4.252 kg
<b>Unit Type Of Package 3</b>	PAL
<b>Number Of Units In Package 3</b>	192
<b>Package 3 Height</b>	60 cm
<b>Package 3 Width</b>	80 cm
<b>Package 3 Length</b>	70 cm
<b>Package 3 Weight</b>	35.84 kg

## Sustainability

**Green Premium™ label** is Schneider Electric's commitment to delivering products with best-in-class environmental performance. Green Premium promises compliance with the latest regulations, transparency on environmental impacts, as well as circular and low-CO<sub>2</sub> products.

**Guide to assessing product sustainability** is a white paper that clarifies global eco-label standards and how to interpret environmental declarations.

[Learn more about Green Premium >](#)

[Guide to assess a product's sustainability >](#)



Transparency RoHS/REACH

## Well-being performance

Mercury Free

RoHS Exemption Information Yes

## Certifications & Standards

Reach Regulation [REACH Declaration](#)

Eu RoHS Directive Pro-active compliance (Product out of EU RoHS legal scope)

China RoHS Regulation [China RoHS declaration](#)

Environmental Disclosure [Product Environmental Profile](#)

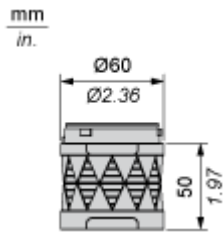
Circularity Profile [End of Life Information](#)

Dimensions Drawings

Illuminated LED Unit

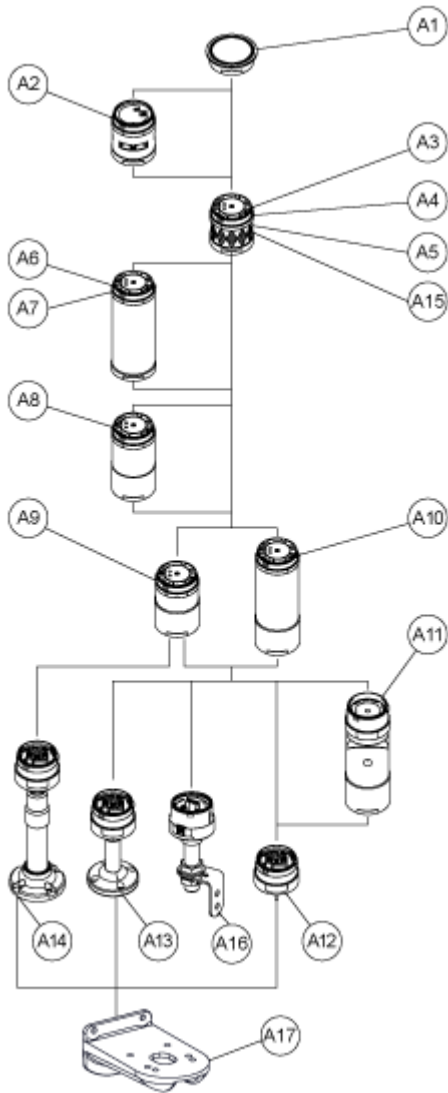
---

Dimensions



Mounting and Clearance

Modular Tower Lights Mounting



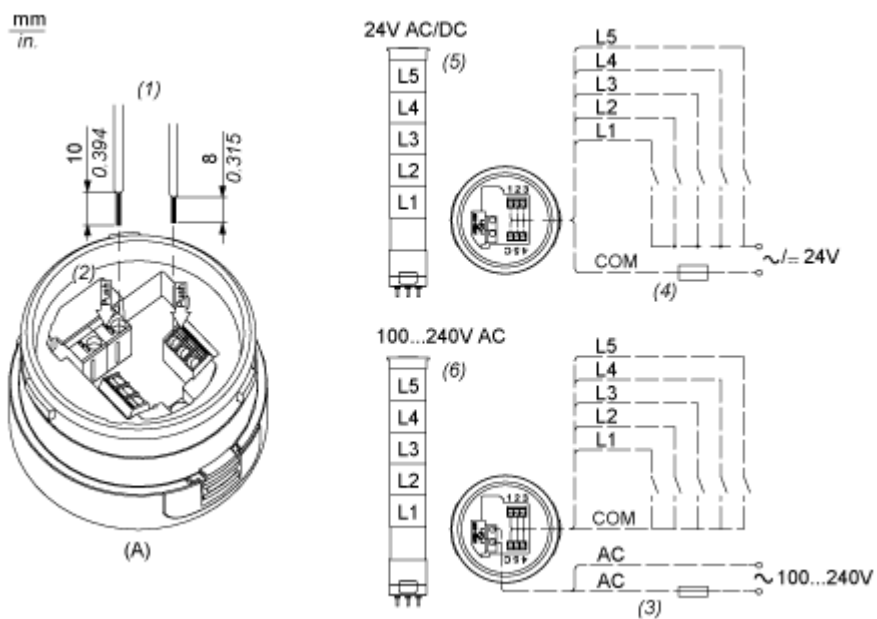
Drawing	Part number	Part name
A1	-	Top cover
	-	Top cover (Silver)
A2	XVUC9S	Buzzer unit
	XVUC9SQ	Buzzer unit (Silver)
A3	XVUC23	Green LED unit
	XVUC24	Red LED unit
	XVUC25	Orange LED unit
	XVUC26	Blue LED unit

Drawing	Part number	Part name
	XVUC27	White LED unit
	XVUC28	Yellow LED unit
A4	XVUC29	Multi-LED unit
A5	XVUC29P	Multi-LED unit, Pulse signal
A6	XVUC9V	Sound unit
A7	XVUC9VP	Sound unit, Pulse signal
A8	XVUC020	Extender
	XVUC020Q	Extender (Silver)
A9	XVUC21B	DC body
	XVUC21BQ	DC body (Silver)
A10	XVUC21M	AC body NPN
	XVUC21MP	AC body PNP
	XVUC21MQP	AC body PNP (Silver)
A11	XVUZ06	Flexible option
A12	XVUZ01	Fixing Unit - Direct mounting (3 pins)
	XVUZ01Q	Fixing Unit - Direct mounting (Silver,3 pins)
	XVUZ03	Fixing Unit - Direct mounting (2 pins)
	XVUZ04	Fixing Unit - Direct mounting (4 pins)
A13	XVUZ02	Fixing Unit - Plate with Pole (100 mm)
	XVUZ02Q	Fixing Unit - Plate with Pole (100 mm, Silver)
	XVUZ400	Fixing Unit - Plate with Pole (400 mm)
	XVUZ800	Fixing Unit - Plate with Pole (800 mm)
A14	XVUZ05	Fixing Unit - Plate with adjustment pole (100-385 mm)
A15	XVUC43	Green LED unit, Flash
	XVUC44	Red LED unit, Flash
	XVUC45	Orange LED unit, Flash
	XVUC46	Blue LED unit, Flash

Drawing	Part number	Part name
	XVUC47	White LED unit, Flash
	XVUC48	Yellow LED unit, Flash
<b>A16</b>	XVUZ100T	Fixing Unit - Metal bracket with pole (100 mm)
	XVUZ250T	Fixing Unit - Metal bracket with pole(250 mm)
	XVUZ400T	Fixing Unit - Metal bracket with pole (400 mm)
<b>A17</b>	XVUZ12	Fixing plate for use on vertical support - black

Connections and Schema

Illuminated Units, Multi-LED and Audible Units Wiring



- (A) Fixing Unit
  - (1) Dimensions of Wiring size
  - (2) Push-in Wire Connectors
  - (3) Fuse : 2A ,250V
  - (4) Fuse : 0.5A ,125V
  - (5) Modular Tower Lights 24V AC/DC
  - (6) Modular Tower Lights 100...240V AC
- L1 to L5 : Illuminated LED Units