



DCB-72 mAdc-20R

DCB-72 mAdc-20R, digital process indicator 72 x 72, 2 output relays

Code: M22262.

- > Scale: -20 ... +20 mA / 0...20 mA / 4...20 mA
- > N° relays: 2
- > System: DC
- > Mounting: Pannel
- > Modules: 72 x 72

Specifications

AC power supply

| | |
|-----------------------|---------------|
| Installation category | CAT III 300 V |
| Consumption | 2 ... 4 VA |
| Frequency | 50/60 Hz |
| Nominal voltage | 80...270 V ~ |

DC power supply

| | |
|-----------------------|---------------|
| Installation category | CAT III 300 V |
| Consumption | 0.9 ... 1.1 W |
| Nominal voltage | 80...270 Vdc |

Environmental characteristics

| | |
|--|---------------------------|
| Protection class | Frontal: IP54, Rear: IP20 |
| Relative humidity (without condensation) | ≤ 95 % |
| Storage temperature | -40 ... +85 °C |
| Working temperature | -40 ... +70 °C |

Mechanical characteristics

| | |
|-------------|---------------------|
| Envelope | Polycarbonate + ABS |
| Weight (kg) | 0,21 |

Current measurement circuit

| | |
|-----------------------|--|
| Installation category | CAT III 300 V |
| Consumption | < 0.2 VA |
| Nominal current (In) | ± 20 mA / 0 ... 20 mA / 4 ... 20 mA |
| Allowable overload | 1.2 In continuous, 10 In instantaneous(5s) |

Standards

| | |
|--|---|
| Electrical safety, Maximum height (m) | 2000 |
| Electrical safety, Installation category | CAT III 300 V |
| Electrical safety, Contamination level/class | Pollution resistance 2 |
| Standards | IEC 61010-1, IEC 61000-4-2, IEC 61000-4-3, IEC 61000-4-4, IEC 61000-4-5, IEC 61000-4-6, IEC 61000-4-8, IEC 61000-4-11 |



DCB-72 mAdc-20R

Panel-mounted digital instruments

Code: M22262.

User interface

| | |
|--------------|--------------|
| Keyboard | 4 keys |
| Display type | LED 5 digits |

Digital relay outputs

| | |
|------------------------------|-------------------------------------|
| Quantity | 2 |
| Maximum current | 5 A ~ |
| Maximum open contact voltage | 277 V ~ |
| Electrical life | (250 V ~ / 5 A) 1 x 10 ⁵ |
| Mechanical life | 5 x 10 ⁶ |
| Maximum switching capacity | 1250 VA |

Measurement accuracy

| | |
|---------------------------|-------|
| Phase current measurement | 0.5 % |
|---------------------------|-------|

DCB

| CODE | TYPE | Scale | N° relays | System | Modules |
|---------------------------|-----------------|--|-----------|--------|---------|
| Voltmeters | | | | | |
| M22110. | DCB-48 Vac | 63,5 V / 100 V / 110 V / 230 V / 380 V / 480 V | - | AC | 48 x 48 |
| M22210. | DCB-72 Vac | 63,5 V / 100 V / 110 V / 230 V / 380 V / 480 V | - | AC | 72 x 72 |
| M22212. | DCB-72 Vac-20R | 63,5 V / 100 V / 110 V / 230 V / 380 V / 480 V | 2 | AC | 72 x 72 |
| M22120. | DCB-48 LVdc | ± 10 V | - | DC | 48 x 48 |
| M22220. | DCB-72 LVdc | ± 10 V | - | DC | 72 x 72 |
| M22222. | DCB-72 LVdc-20R | ± 10 V | 2 | DC | 72 x 72 |
| M22130. | DCB-48 HVdc | ± 500 V | - | DC | 48 x 48 |
| M22230. | DCB-72 HVdc | ± 1500 V | - | DC | 72 x 72 |
| M22232. | DCB-72 HVdc-20R | ± 1500 V | 2 | DC | 72 x 72 |
| Ammeters | | | | | |
| M22150. | DCB-48 Aac | 1 A / 5 A | - | AC | 48 x 48 |
| M22250. | DCB-72 Aac | 1 A / 5 A | - | AC | 72 x 72 |
| M22252. | DCB-72 Aac-20R | 1 A / 5 A | 2 | AC | 72 x 72 |
| M22170. | DCB-48 Adc | 1 A / 5 A | - | DC | 48 x 48 |
| M22270. | DCB-72 Adc | 1 A / 5 A | - | DC | 72 x 72 |
| M22272. | DCB-72 Adc-20R | 1 A / 5 A | 2 | DC | 72 x 72 |
| Process indicators | | | | | |
| M22140. | DCB-48 mVdc | 60 mV / 75 mV / 100 mV / 150 mV / 200 mV | - | DC | 48 x 48 |
| M22240. | DCB-72 mVdc | 60 mV / 75 mV / 100 mV / 150 mV / 200 mV | - | DC | 72 x 72 |
| M22242. | DCB-72 mVdc-20R | 60 mV / 75 mV / 100 mV / 150 mV / 200 mV | 2 | DC | 72 x 72 |



DCB-72 mAdc-20R

Panel-mounted digital instruments

Code: M22262.

| CODE | TYPE | Scale | N° relays | System | Modules |
|---------|-----------------|--|-----------|--------|---------|
| M22160. | DCB-48 mAdc | -20 ... +20 mA / 0...20 mA / 4...20 mA | - | DC | 48 x 48 |
| M22260. | DCB-72 mAdc | -20 ... +20 mA / 0...20 mA / 4...20 mA | - | DC | 72 x 72 |
| M22262. | DCB-72 mAdc-20R | -20 ... +20 mA / 0...20 mA / 4...20 mA | 2 | DC | 72 x 72 |

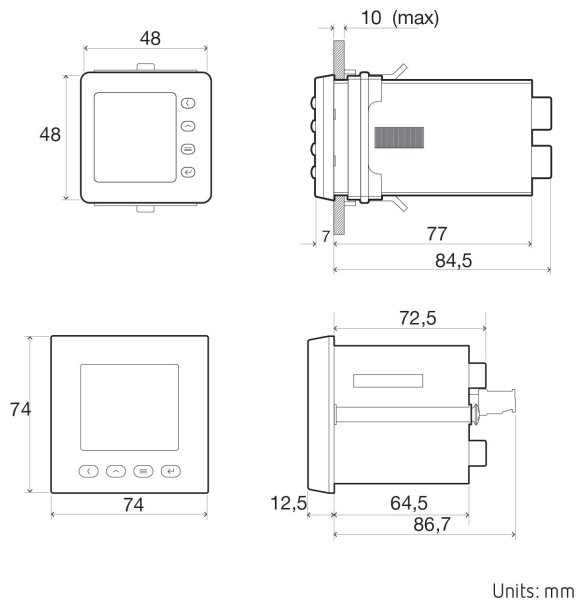


DCB-72 mAdc-20R

Panel-mounted digital instruments

Code: M22262.

Dimensions



Connections

