

Data sheet

Commercial Art.No.: 56.135.1055.0

high current terminal WRT 35/M6

High current terminal block with ring lug connection for mounting on TS35, nominal cross section: 35 mm², width: 27 mm, color: grey



Commercial Art.No.	56.135.1055.0
EAN	4049088260827
Order Unit	10

certificates / approvals



Technical data

general

nominal cross section	35 mm ²
color	grey
number of levels	1
number of clamp positions per level	2
width/grid dimension	27 mm
insulating housing	PA66
flammability class of insulation material acc. with UL94	V0
explosion-tested version "Ex e"	no
mounting method	DIN rail (top hat rail) 35 mm
terminal blocks for electrical installations	yes

technical data

rated current	125 A
rated voltage	1000 V
rated impulse voltage	8 kV
pollution degree	3
type of insulation material	thermoplastic
length	107.5 mm
width	27 mm
height	51.5 mm

connection data

connection type	bolt connection
-----------------	-----------------

connection type 1	bolt connection
minimum cross section fine stranded	2.5 mm ²
maximum cross section fine stranded	50 mm ²

technical data UL/CSA

cross section UL	AWG 14 - 2
voltage UL	1000 V
current factory wiring	130 A
cross section CSA	AWG 14 - 2
voltage CSA	1000 V
current CSA	130 A

classification

ECLASS 11	
ECLASS 8.1	27141120
ETIM 9.0	EC000897
ETIM 8.0	EC000897
ETIM 7.0	EC000897
ETIM 6.0	EC000897
ETIM 5.0	EC000897

product compliance

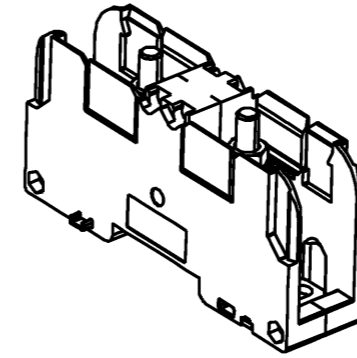
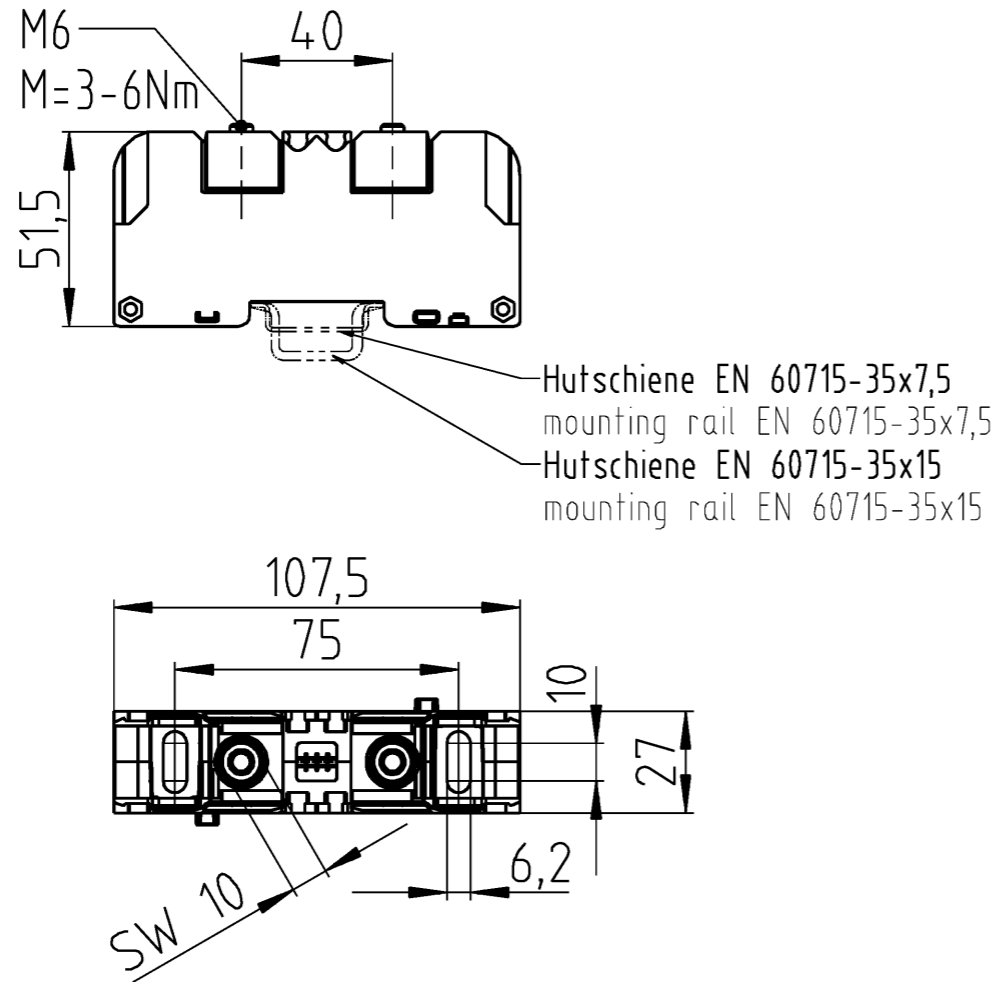
ROHS conformity status	compliant
REACH-SVHC conformity status	compliant

A
Weitergabe sowie Vervielfältigung dieses Dokuments, Verwertung und Mitteilung seines Inhalts sind verboten, soweit nicht ausdrücklich gestattet. The reproduction, distribution and utilization of this document as well as the communication of its contents to others without express authorization is prohibited.

B
These dimensions will be especially checked at delivery
Only inspection dimensions
With /E marked dimensions are only valid for internal use

D
Diese Maße werden bei Abnahme besonders geprüft
Ausschließlich Prüfmaße
Mit /E gekennzeichnete Maße sind nur für interne Zwecke gültig

F



Zubehör
/Accessories:

- 07.431.7053.8 Abdeckung/Cover
- 07.201.1227.6 Verbindungssteg/Jumper bar (2)
- 07.201.1327.6 Verbindungssteg/Jumper bar (3)

Technische Daten
/Technical data

	IEC	c us factory field wiring	
Bemessungsspannung V rated voltage V	1000	1000	1000
Bemessungsstrom A rated current A	125	130	130
Bemessungsquerschnitt mm ² rated cross section mm ²	35		
AWG		14-1/0	
Bemessungsstoßspannung kV rated voltage kV	8		
Verschmutzungsgrad pollution degree	3		
Brennbarkeitsklasse nach UL94 flamability rating	V0		
Klemmbereich mm ² clamping range mm ²	2,5 - 50		
Bolzensgröße bolt size	M6		

56.135.1055.0	WRT 35 M6	/	X
Bestellnummer /Order number	Typ /Type	Varianten /Variants	dar- gestellt /drawn

Weitere Daten siehe KATALOG oder eKatalog
additional data see CATALOG or eCATALOG

www.wieland-electric.com
eshop.wieland-electric.com

Tolerierung Size ISO 14405 © / Tolerance system Size ISO 14405 ©. (This ISO-standard describes the envelope principle. According to the envelope principle the deviations of form and parallelism are limited by the size tolerances).		ja/yes <input checked="" type="checkbox"/> Stoffverbots- und Deklarationsliste nach WN 5020.010 ist einzuhalten. Conformity with Wieland document WN 5020.010 e (list of prohibited / declarable hazardous substances) to be declared!	
Freitoleranz nach General tolerance	CAD - Zeichnung, keine manuellen Änderungen CAD - drawing, no manual modifications allowed	1. Verwendung: First Use:	Blatt: Sheet: 1 von 1 of 1
/	Werkstoff / Material PA 66/6 V0 grau/grey	Tag/Date 23.11.2017	Name Schmitt
/	Maßstab / Scale 1:2	Zeichnung Nr. / Drawing No. 56.135.1055.0 13K	
/	Vol. mm ³ / fl./Srf. mm ²	Maße in mm / Dimensions are in mm	
/	Ersatz für / Replacement for: 56.135.1055.0 01K		
/	Type Benennung/Title selos WRT BOLZENKLEMME stud terminal		
Index Änderung / Revision	Datum / Blatt Date / Sheet www.wieland-electric.com		