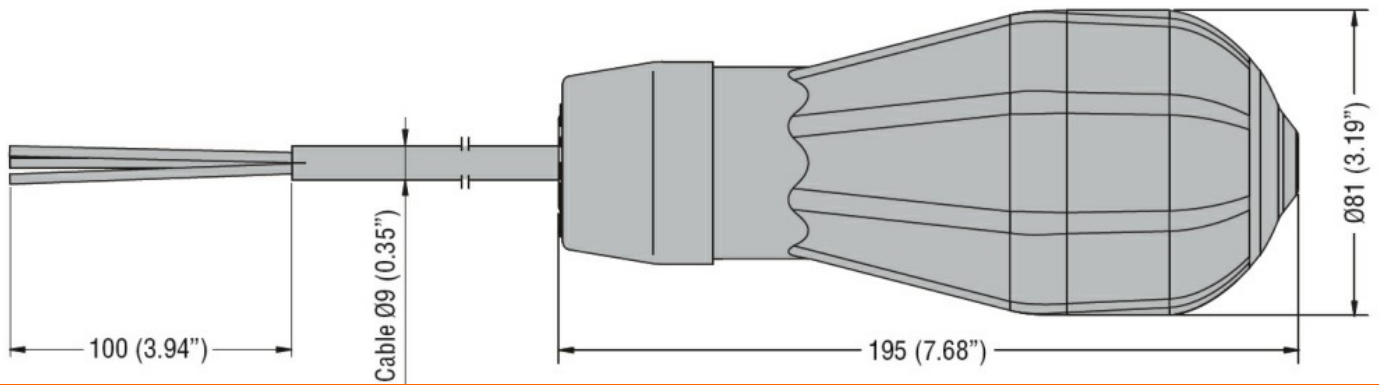




Product designation	Float switches for dirty water		
Product type designation	LVFSN1		
Function	Emptying or filling		
Counterweights			
Counterweight	Internal		
Activation angle	15°		
Relay outputs			
Number of relays	Nr.	1	
Contact arrangement	1 changeover contact C/O-SPDT		
Rated operational voltage AC (IEC)	VAC	250	
Contact ratings	AC1 10A 250VAC AC15 4A 250VAC		
Connections			
Maximum cable length	m / ft	15	
Ambient conditions			
Temperature			
Operating temperature			
	min	°C	0
	max	°C	+50
Storage temperature			
	min	°C	-20
	max	°C	+80
Maximum operating pressure	bar	5	
Maximum installation depth	m	50	
Housing			
Cable material	Neoprene H07 RN-F3X1		
Float casing material	Polypropylene		
IEC degree of protection	IP68		
Weight	g	2460	
Dimensions			



Certifications and compliance

Compliance

IEC/EN 60730-1
 IEC/EN 60730-2-15

Certificates

TÜV-SUD

ETIM classification

ETIM 8.0

EC001447 - (Fill)
 level monitoring
 relay